



Colors:



SUITABLE COOKING STYLE & FEATURES:

○ ————— ○ ●

Minimal **Everyday** **Heavy-Duty**

860
CFM

POWERFUL
SUCTION

6
SPEED
SETTING

DELAY
AUTO
SHUT-OFF

TOUCH
SCREEN
PANEL

UC-PS18 PRO-STYLE UNDER CABINET

SIZE: 30" 36"

PRODUCT DESCRIPTION



Designed to make extracting unpleasant odors, toxic fumes, and harmful chemicals from your kitchen a breeze. UC-PS18 is backed by dual motors that handles light or heavy-duty cooking with six speed settings and 860 CFM suction power. And the easy to remove baffle filters can be tossed into the dishwasher for a fast clean-up, keeping your kitchen fresh and odor-free.

WHAT'S INCLUDED

Oil tray (1), dishwasher-safe baffle filters (2 for 30" model, 3 for 36" model), top 6" round exhaust adapter (1), aluminum foil tape (1), microfiber cloth (1), top 3-1/4" by 10" rectangular exhaust adapter (1), and rear 3-1/4" by 10" rectangular exhaust adapter (1)

OVERALL PRODUCT DIMENSIONS (WxDxH)

UC-PS18 30": 29-3/4" x 22" x 8-1/8"
 UC-PS18 36": 35-3/4" x 22" x 8-1/8"

WARRANTY

2-Year Limited Warranty and Lifetime Warranty on Motor



FEATURES & BENEFITS:

PRO-STYLE DESIGN:

Crafted with high quality stainless steel and full-size baffle filter handles.

POWERFUL SUCTION:

Utilizes different speed settings to extract harmful cooking fumes from heavy-duty cooking, high heat, and excess smoke.

VERSATILE VENTING SYSTEM:

Designed with three-way venting system to fit most kitchen vent openings.

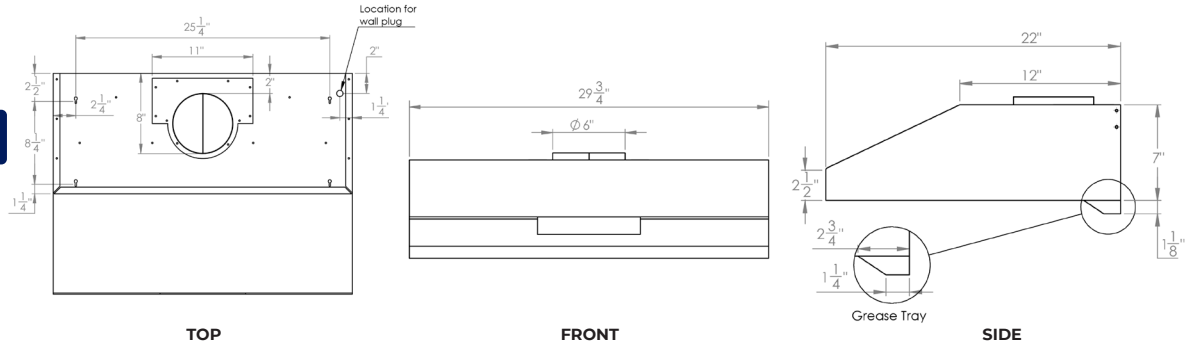
HEAVY-DUTY BAFFLE FILTERS:

The dishwasher-safe stainless-steel baffle filters catch grease for easy removal and effortless daily maintenance.

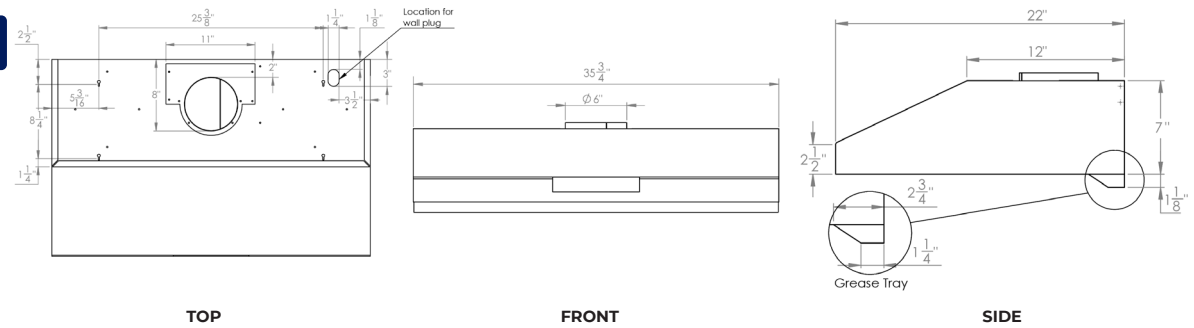
COMPLIMENT YOUR KITCHEN DESIGN:

Available in matte white, matte black, stainless steel, and black stainless finish to match your kitchen design perfectly.

UC-PS18 30"



UC-PS18 36"



SPECIFICATIONS

SIZE	30" 36"	EQUIVALENT AIRFLOW	860 CFM
STYLE	Under Cabinet	LABORATORY AIRFLOW	500 CFM
DUCTLESS	No	TOP VENTING	6" or 3-1/4" x 10"
CLEANING FUNCTION	N/A	REAR VENTING	3-1/4" x 10"
NOISE LEVEL	1.5 to 7.0 Sones	MOTOR	Dual
LIGHT COLOR TEMP.	Warm / 2700 Kelvin	WATTAGE	266W
LIGHT BULB	3W LED (GU10 Base)	VOLTAGE	120V
LIGHT INTENSITY	1 Level	CONNECTION	Plug-In
CONTROL	Touch Panel	NET WEIGHT	49 LBS
SPEED SELECTIONS	6 Levels	CUT-OUT DIMENSIONS (WxD)	N/A
CONVERTIBLE	N/A		