



**VAROMORUS**

GARDENING TOOLS

**VAROMORUS  
HIGH WHEEL CULTIVATOR  
KR-1**



**FLORIDA, USA**

## Product basics:

**Varomorus cultivator** is a universal agricultural tool that allows the user to perform the necessary operations when growing vegetables and other clean-cultivated crops.

The cultivator has a modular structure, all specialized units intended to perform certain technological operations are attached to the versatile base frame. The frame design allows multiple units to be installed simultaneously.

The high wheel provides the required constant depth of loosening while protecting the roots of cultivated plants from damage.

The cultivating tool is very stable and maneuverable.

It can move forward, as well as into reverse direction.

Cutters are self-cleaning during the operation.

## Specifications:

The daily load is 0.5 ha (the tool is 8 times more efficient than manual processing operations).

The width of processing of rows of vegetable crops varies from 13 to 20 cm in one pass. The weight of the cultivator tools without attachments is no more than 6 kg/12 lb.

List of processing operations performed by the cultivator tool:

Destruction of weeds at a depth of 0.5-3 cm in different soil reliefs (rakes, flatbeds, and irrigation channels).

Soil cultivation and loosening of the surface crust.

Land cultivation in the circle around the tree trunk.

## Maintenance & Storage

**Maintenance:** it is required to perform regular cleaning of the dirt from wheels and key elements of the tool. Once a month, the user needs to remove the pin from the wheel axle, remove the wheel, clean the axle, and wheel hub from the old grease and apply a new layer of any automotive, tractor, or household thick technical grease.

**Storage:** perform maintenance works and cover the working parts with any technical grease. Store indoors or outdoors in a dry place. It is not recommended to use the unit on fallow and stony soils, as well as near the roots of shrubs and trees to avoid damage.

## Assembling:

Prepare all the parts from the delivery package and spread them out on the table. The delivery package includes the following: assembling handles with spacer (5), flat cutter bracket (7), attachment bracket (2), small flat cutter (3), large flat cutter (6), belt bracket/root plow (1), assembly that includes: wheel stand (4), a small bar of the base frame (8), wheel (9, Fig. 1), and the user's manual.

Remove the cultivator knives from the wheel.

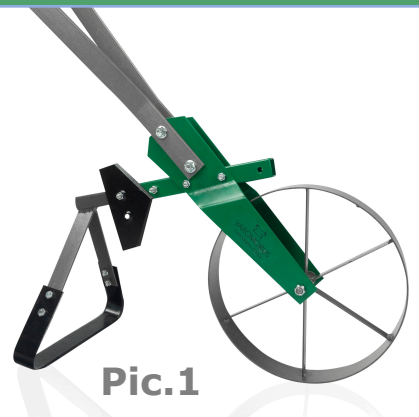
Secure the handles of the unit and adjust them to the height of the user. The handles have an assembling design for transportation reasons.

Attach the cultivator knives to the appropriate brackets. Attach one of the flat cutters to the small bar on the frame.

Install the brackets with blades in the corresponding holes of the small bar of the base frame (8, Fig. 1), which are evenly located on its surface (5 in total). If the holes in the bar and the bracket match, secure the parts with screws and nuts. Assemble the bracket/plow on the cultivator tool as shown in pic. 1. By changing the length of the small bar of the base frame (8) when installing flat cutters, you can change the angle of inclination of the flat cutter to the soil, which affects the friability of the soil (pic. 2).

### **The belt bracket assembly is**

intended to be used in the processing of row spacing with loosening of the soil and the destruction of weeds. The depth of immersion in the soil is 0.5-3 cm. It can be used as in the forward, as well as in the reverse direction (self-cleaning).



**Pic.1**

**The flat cutter** destroys the surface crust, cuts the roots of particularly large weeds, and is very convenient (especially in the reverse direction) when removing the weeds that have grown between the cultivated plants. The processing depth is up to 4 cm.



**Pic.2**

## Drawing:

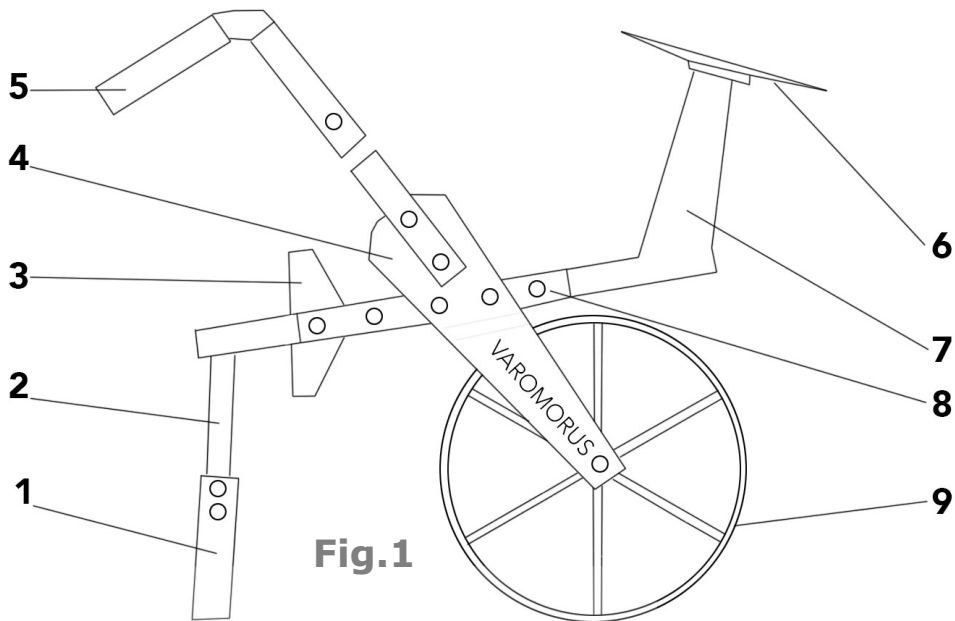


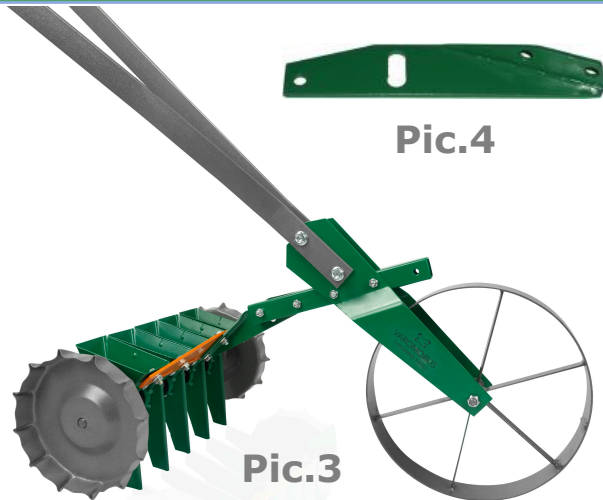
Fig.1

## Use cultivator with the Varomorus seeder:

Varomorus SMK 2-5 manual seeders can be assembled as a three-wheeled seeders on the frame of the KR-1 cultivator tool, using a bracket (Pic. 4). In this option, the angle of the seeder can be set by fixing the small bar of the base frame (8, Fig. 1), as indicated on Pic. 3.



Pic.4



Pic.3

## Visit us for more gardening tools:



**VAROMORUS**

GARDENING TOOLS

- HAND SEEDERS
- LAWN AERATORS
- BEEKEEPING TOOLS
- LAWN LEVELING RAKES
- FRUIT & WINE PRESSES
- SOIL SAMPLING PROBES
- DEEP ROOT IRRIGATORS



**CONTACT US:**



**VAROMORUS.COM**

**varomorus@gmail.com**