



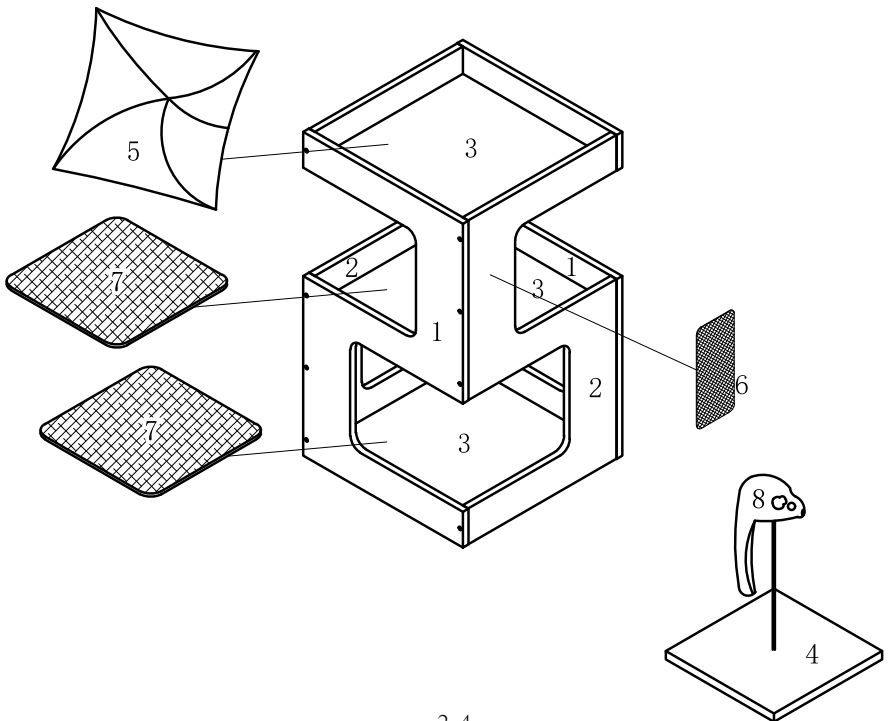
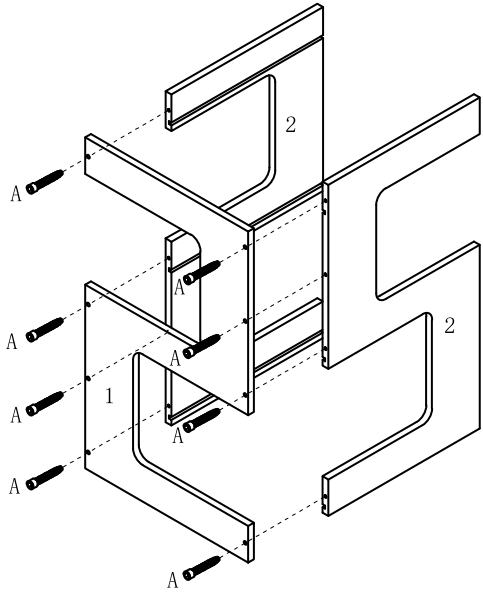


Accessory	Size	Quantity
A 	5mm*40mm	16PCS+1PC
B  Anti-Slip Pad	12mm*35mm	4PCS
C  Corner Protector	.....	8PCS
	3mm	1PC

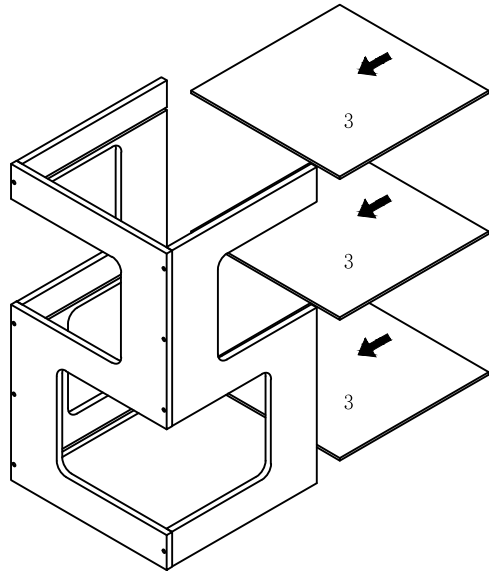


①

A=8PCS

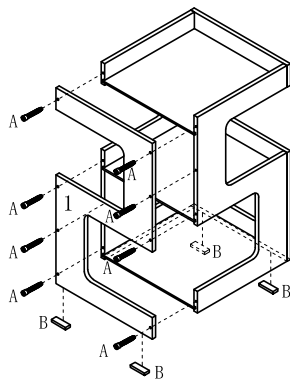


②



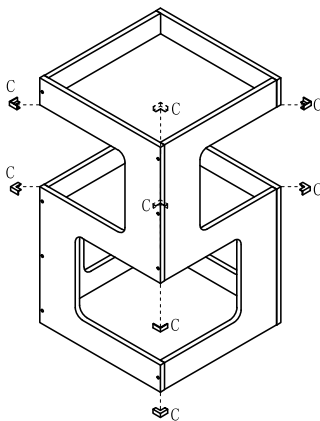
3

A=8PCS  
B=4PCS



4

C=8PCS



5

