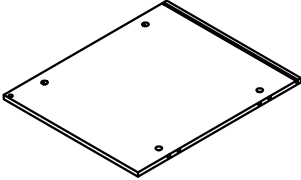
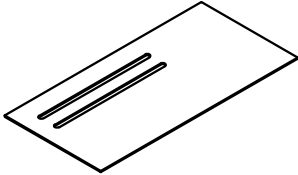
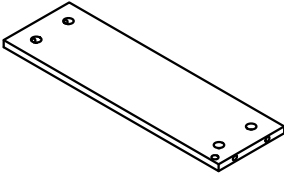
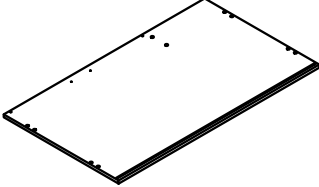
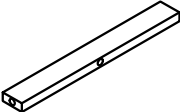
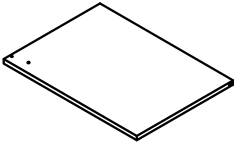
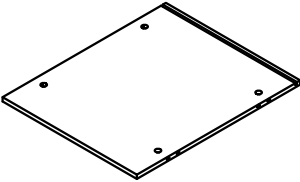
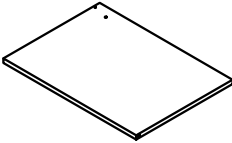
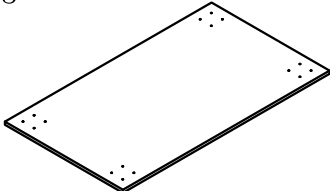
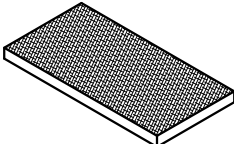











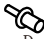
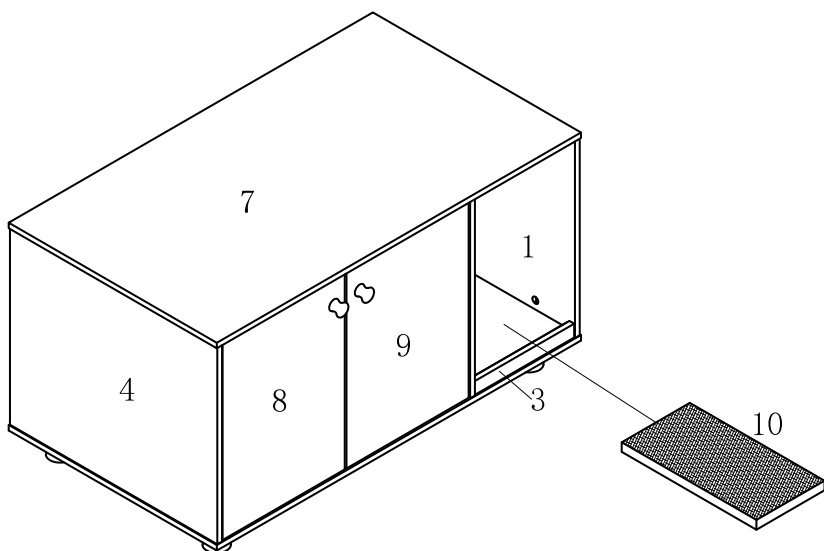



<p>1</p>  <p>Right Side Board 1PC SIZE 518mm*426mm</p>	<p>6</p>  <p>Back Panel 1PC SIZE 892mm*436mm</p>
<p>2</p>  <p>Middle Supporting Board 1PC SIZE 426mm*130mm</p>	<p>7</p>  <p>Top Board 1PC SIZE 910mm*520mm</p>
<p>3</p>  <p>Entry Threshold 1PC SIZE 250mm*30mm</p>	<p>8</p>  <p>Left Door Panel 1PC SIZE 422mm*306mm</p>
<p>4</p>  <p>Leftside Board 1PC SIZE 518mm*426mm</p>	<p>9</p>  <p>Right Door Panel 1PC SIZE 422mm*306mm</p>
<p>5</p>  <p>Bottom Board 1PC SIZE 910mm*520mm</p>	<p>10</p>  <p>1PC Scratching Board</p>


Accessory	Size	Quantity
A  Connector A	••••••	14PCS+1PC
B  Connector B	••••••	14PCS+1PC
C  6mm*30mm	6mm*30mm	9PCS+2PCS
D  Door Knob	••••••	2PCS
E  4mm*15mm	4mm*15mm	2PCS
F  4mm*12mm	4mm*12mm	16PCS+1PC
G  Stand	••••••	4PCS
H  3mm*12mm	3mm*12mm	4PCS+1PC
I  Door Magnet	••••••	1PC
J  Metal Clip	••••••	2PCS
K  Door Connector	••••••	2PCS
L  Door Spring	••••••	2PCS





1


Make sure to put the wood stick "C"


 B=14PCS


 C=9PCS


 D=2PCS


 E=2PCS


 F=16PCS


 G=4PCS

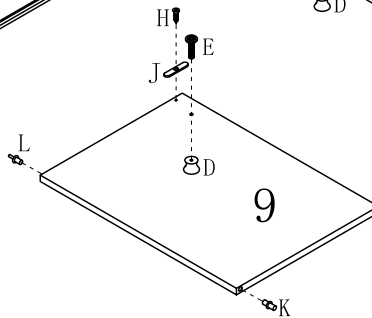
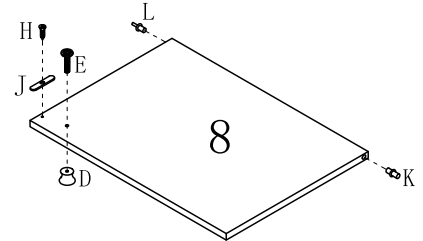
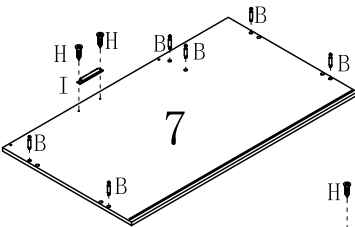
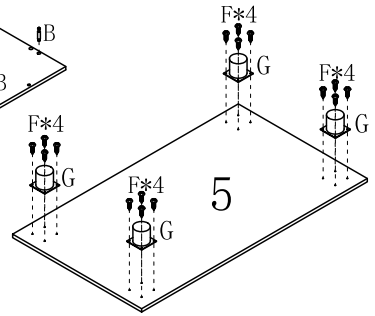
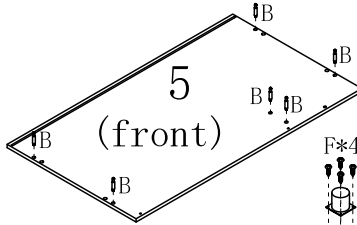
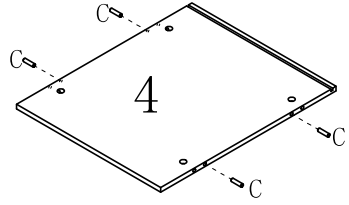
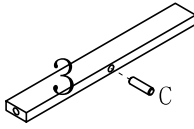
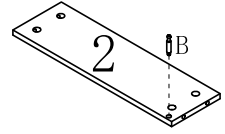
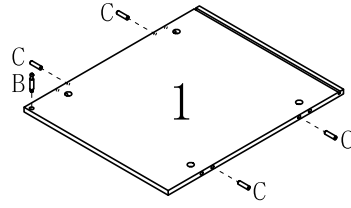
 H=4PCS

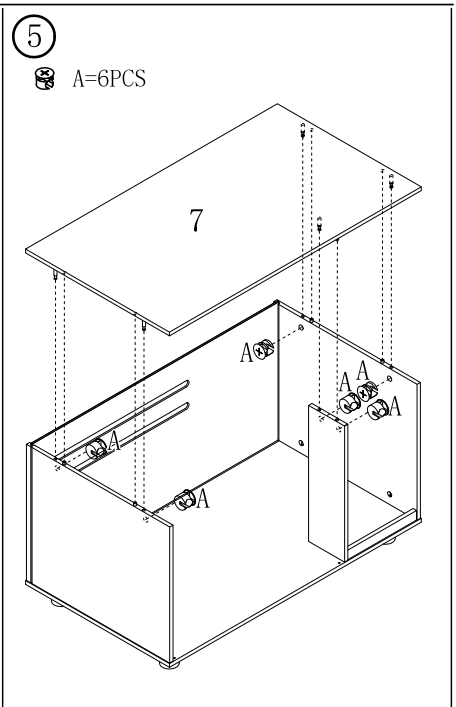
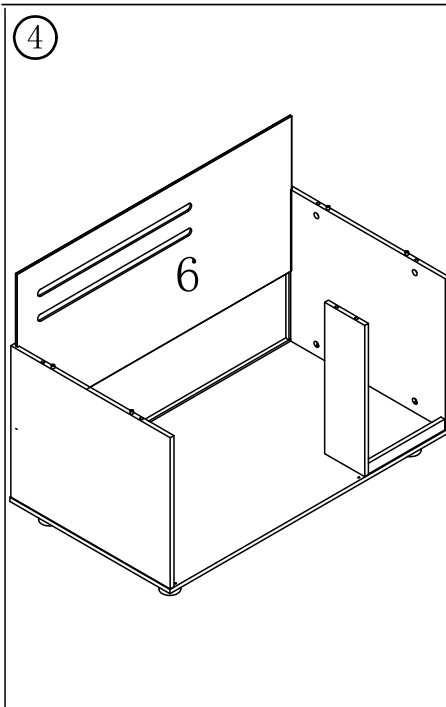
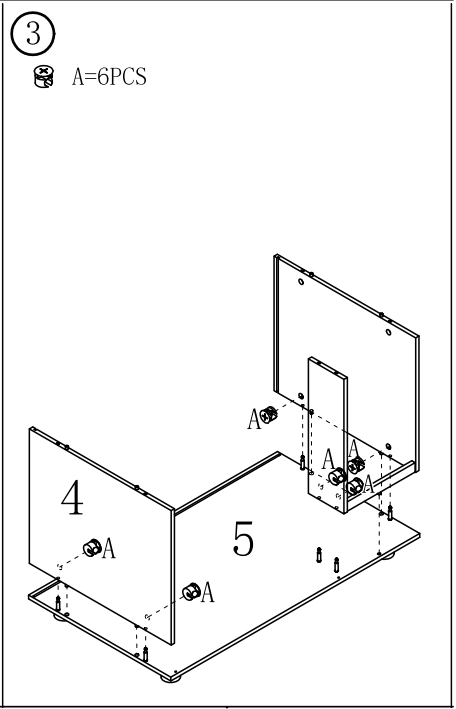
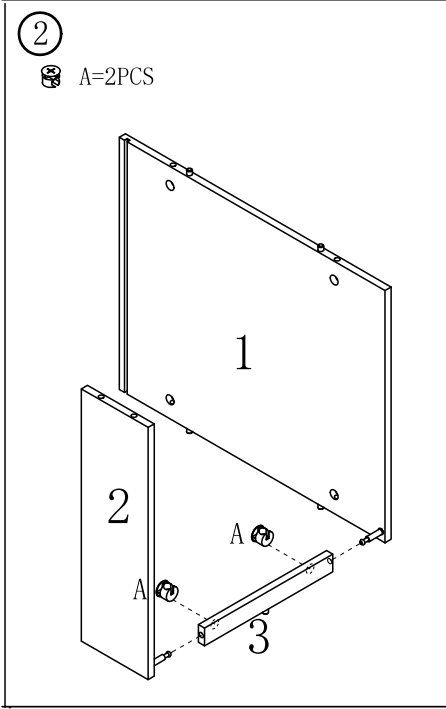
 I=1PC

 J=2PCS

 K=2PCS

 L=2PCS





⑥

