

ASSEMBLY INSTRUCTIONS PRO SNEEZE GUARD

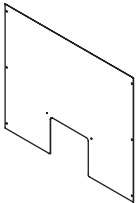
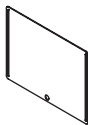
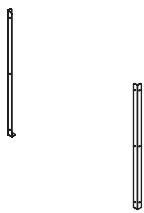

T: 03330153450
E: HELLO@DISPLAYPRO.CO.UK
WWW.DISPLAYPRO.CO.UK
© Displaypro Ltd 2020

The logo for Displaypro, featuring the word "displaypro" in a lowercase, sans-serif font. Above the text is a thick, black, curved line that arches over the letters, resembling a protective film or a stylized 'D'.

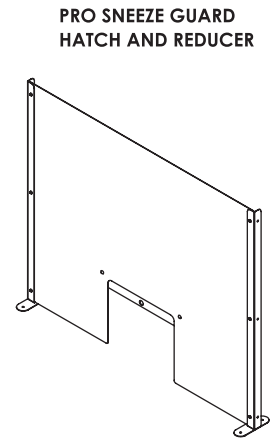
Supplied with protective film. Please remove during assembly.

Caution may contain sharp edges.

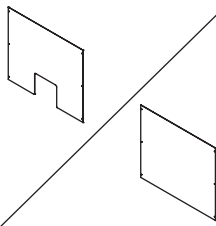
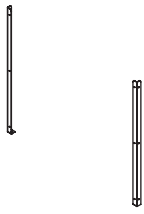

Fixing pack contains small parts. Keep away from children choking hazard.

PART	DESCRIPTION	QTY
	SCREEN	1
	REDUCER	1
	LEFT & RIGHT LEG	1
	LEFT & RIGHT FOOT	1

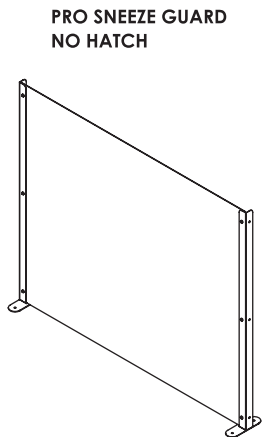
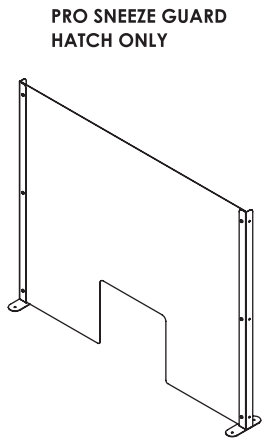
FIXING	DESCRIPTION	QTY
	PAN SCREW	6
	NUT	8
	WASHER	8
	PENNY WASHER	2
	CSK SCREW	2
	COACH BOLT	2
	WING NUT	2
NOT TO SCALE		

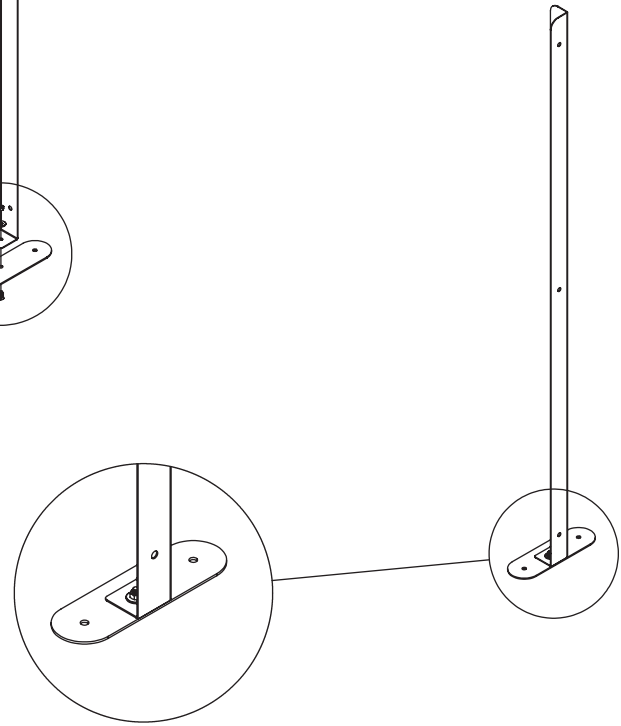
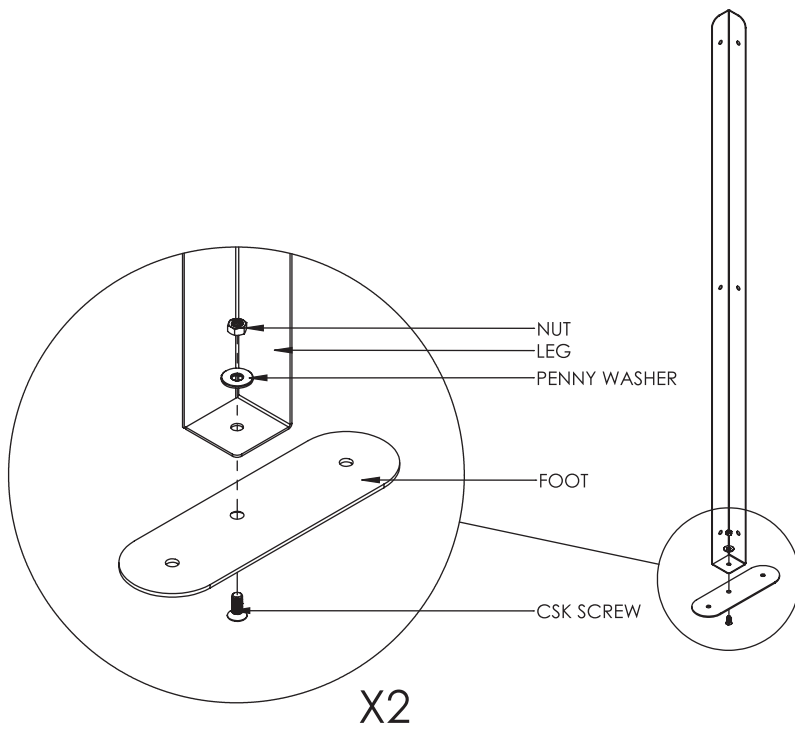


**Ensure all parts are present.
If missing please contact
customer service.**

PART	DESCRIPTION	QTY
	SCREEN	1
	LEFT & RIGHT LEG	1
	LEFT & RIGHT FOOT	1

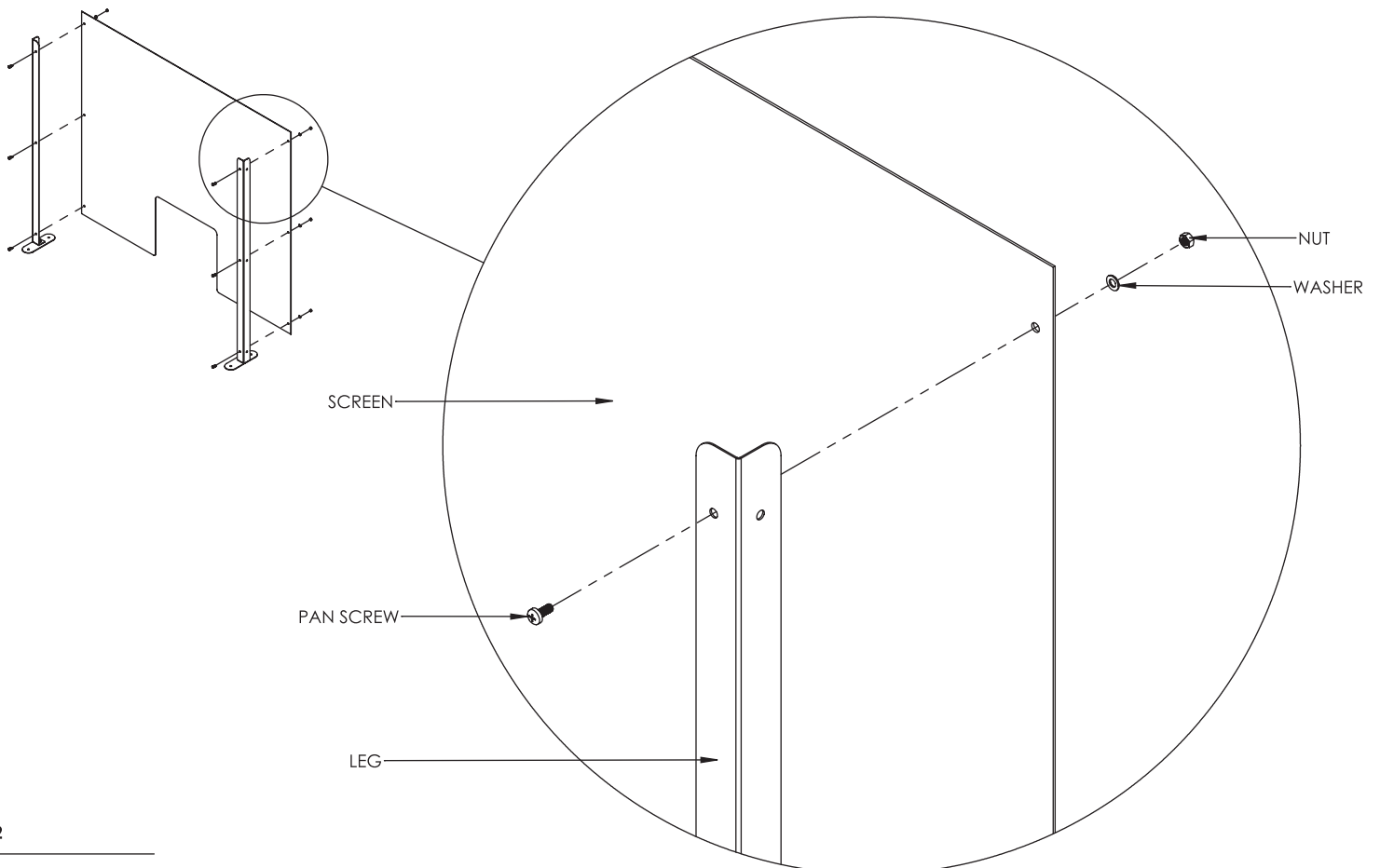
FIXING	DESCRIPTION	QTY
	PAN SCREW	6
	NUT	8
	WASHER	6
	PENNY WASHER	2
	CSK SCREW	2
NOT TO SCALE		





STEP 1

ATTACH FOOT TO
LEG AS ABOVE USING:
1 X CSK SCREW
1 X PENNY WASHER
1 X NUT



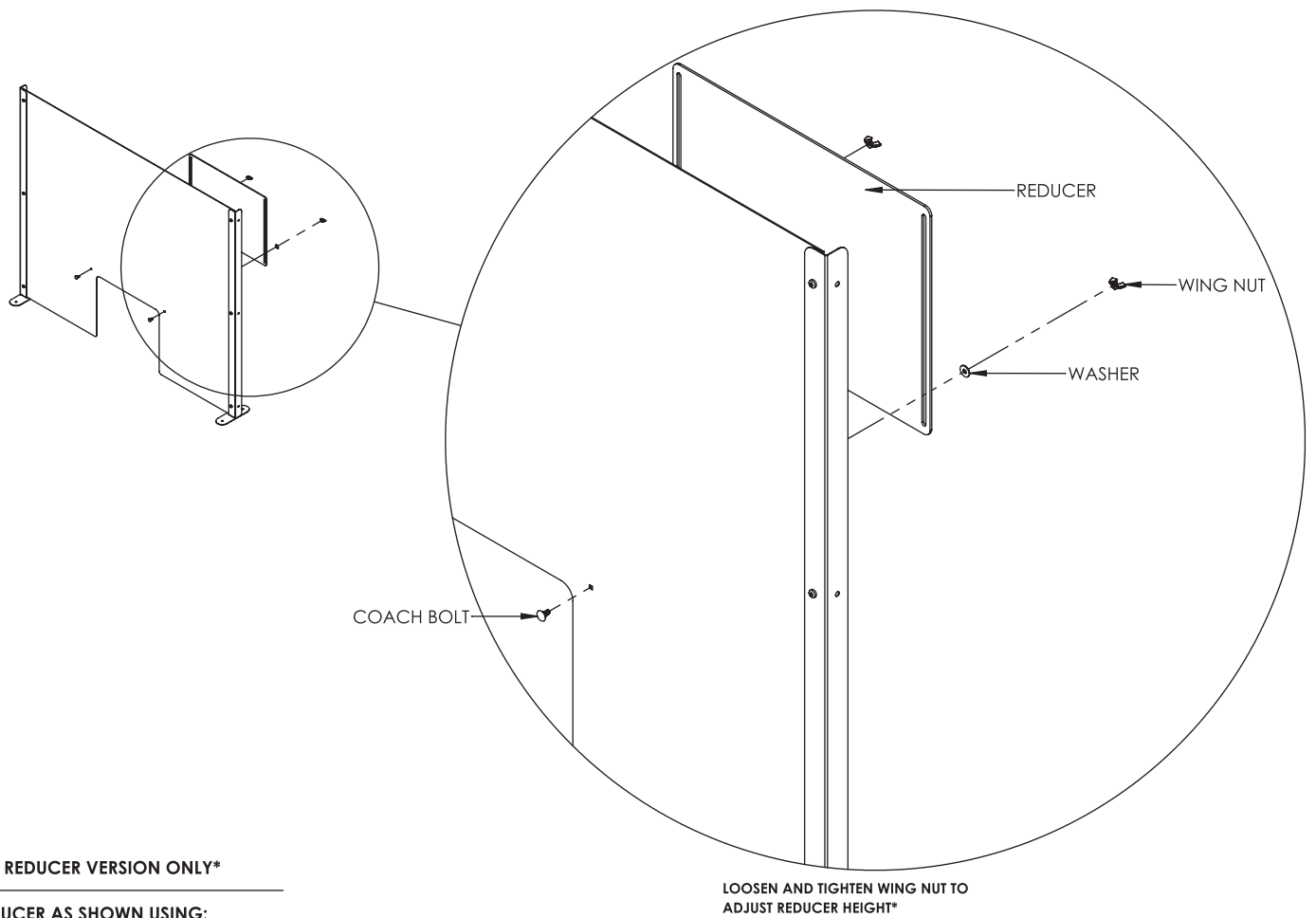
STEP 2

ATTACH SCREEN TO LEG
AS SHOWN USING:
6 X PAN SCREW
6 X WASHER
6 X NUT

**ENSURE FIXINGS ARE NOT OVERLY TIGHTENED
AS MAY CAUSE CRACKS ON SCREEN***

T: 03330153450
E: HELLO@DISPLAYPRO.CO.UK
WWW.DISPLAYPRO.CO.UK
© Displaypro Ltd 2020

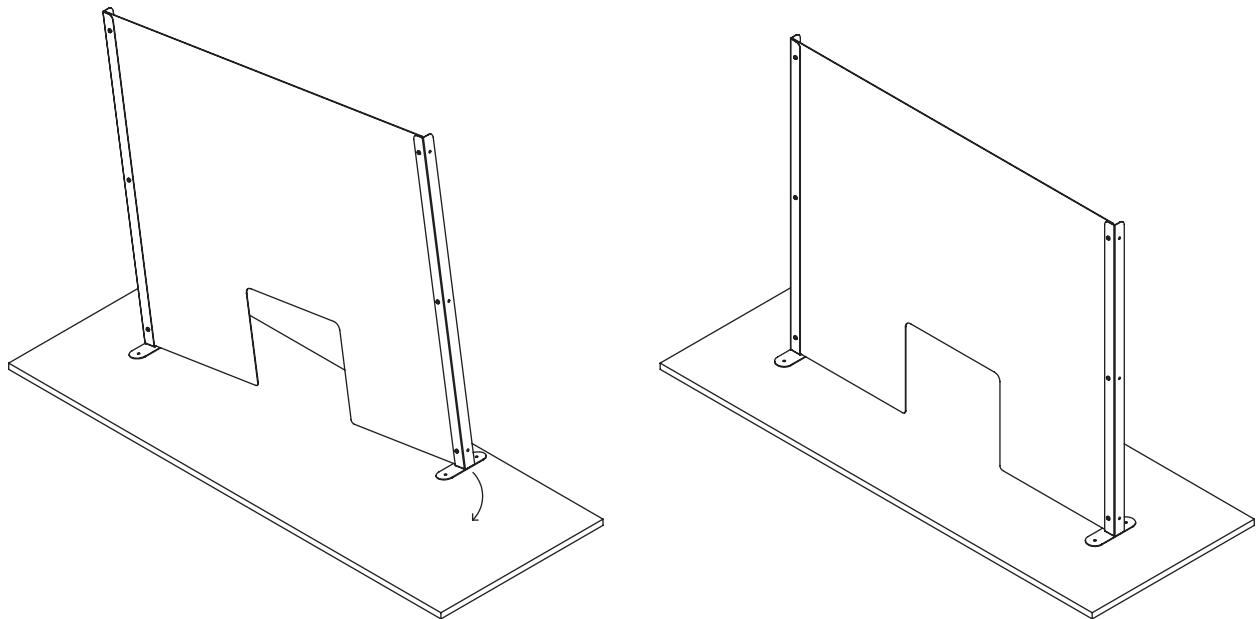




LOOSEN AND TIGHTEN WING NUT TO ADJUST REDUCER HEIGHT*

STEP 3
HATCH AND REDUCER VERSION ONLY*

ATTACH REDUCER AS SHOWN USING:
 2 X COACH BOLT
 2 X WASHER
 2 X WING NUT



STEP 4
ANCHORING PRO SNEEZE GUARD TO COUNTER TOP

METHOD 1:
 ATTACH HEAVY DUTY DOUBLE SIDED FOAM TAPE TO UNDERSIDE OF FEET. AFFIX ONE FOOT IN PLACE FIRST THEN THE OTHER ENSURING THE SCREEN IS TIGHT AND NOT FLEXING OR BOWING IN THE MIDDLE

METHOD 2:
 USE SUITABLE SCREWS FOR COUNTERTOP USING THE HOLES IN THE FEET TO ANCHOR SNEEZE GUARD IN PLACE