
Beetle Stool - Fully Upholstered - 45, Conic Base

Designed by GamFratesi - 2013



ITEM NUMBER 10305

DESCRIPTION With the Beetle Stool, the characteristic upholstered Beetle Chair gets a lighter appearance without a backrest. Taking its inspiration from a beetle, the Beetle Stool has a protectively encompassing outer shell that is combined with a rounded and soft interior, providing the ultimate comfort while giving the right support. The Beetle Stool by GamFratesi is designed to be used in smaller spaces like kitchens and restaurants.

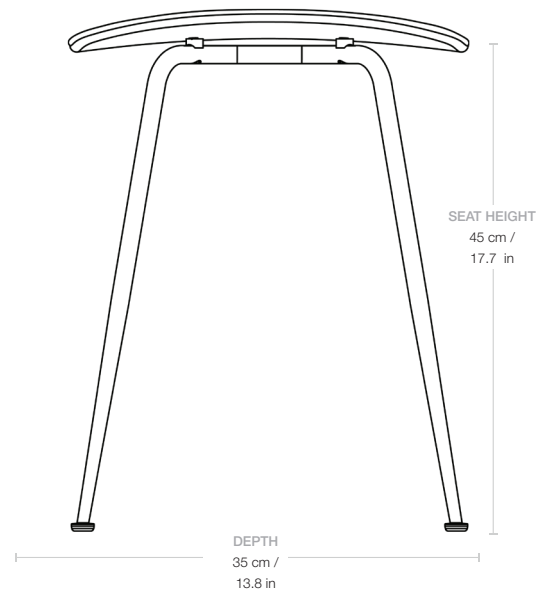
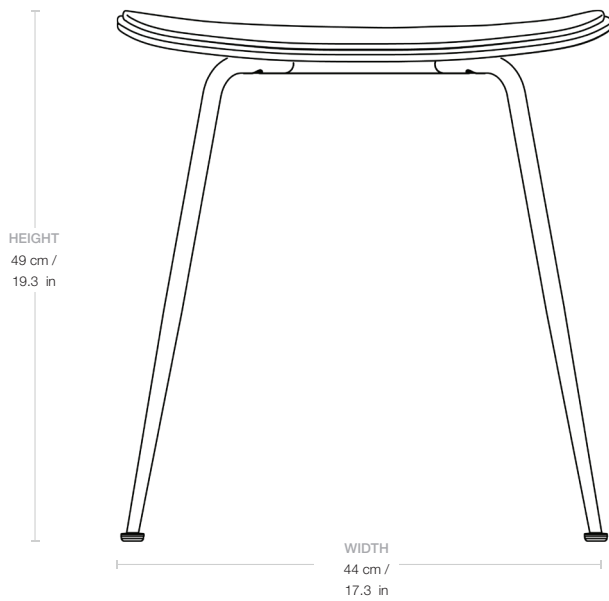
Materials & Finishes

BASE FINISH Brass, Black Matt, Black Chrome



MATERIALS Wood, CMHR foam, polyester wadding, fabric upholstery

Dimensions



WIDTH	44 cm / 17.3 in
DEPTH	35 cm / 13.8 in
HEIGHT	49 cm / 19.3 in
SEAT HEIGHT	45 cm / 17.7 in
BASE / LEG THICKNESS	Ø 1.0-1.6 cm / Ø 0.4/0.6 in

Weight

TOTAL WEIGHT	4.6 kg / 10.1 lbs
LEGS WEIGHT	2 kg / 5.7 lbs
SHELL WEIGHT	2.5 kg / 5.5 lbs

Upholstery Consumption

FABRIC

X 140 CM FABRIC WIDTH / X 55 IN FABRIC WIDTH

FULLY UPHOLSTERED, SAME PIPING	75 cm / 30 in
FULLY UPHOLSTERED, DIFFERENT PIPING	54 cm / 21.3 in
PIPING	21 cm / 8.3 in

LEATHER

FULLY UPHOLSTERED, SAME PIPING	1.39 m ² / 15ft ²
FULLY UPHOLSTERED, DIFFERENT PIPING	1.24 m ² / 13.3 ft ²
PIPING	0.15 m ² / 1.6 ft ²

Packaging

NUMBER OF PARCELS	1
PACKAGING LENGTH	48 cm / 18.9 in
PACKAGING WIDTH	48 cm / 18.9 in
PACKAGING HEIGHT	50 cm / 19.7 in
PACKAGING WEIGHT	2.6 kg / 5.7 lbs
GROSS WEIGHT	7.2 kg / 15.9 lbs

Test & Certifications

CALIFORNIA 117	Yes, US only
BS 5853	Available on request
BS 5852 CRIB 5	Available on request

SUSTAINABILITY	Parts can be separated and sorted for recycling.
-----------------------	--

Glides

PLASTIC GLIDES	Included as standard
FELT GLIDES	Available on request
