

---

## Beetle Meeting Chair - Front Upholstered, Height adjustable 4-star base w. castors, Veneer Shell

Designed by GamFratesi - 2013

---



---

ITEM NUMBER

61404

DESCRIPTION

The Beetle Chair from GamFratesi was an instant classic when it launched in 2013, and the many new configurations that have been added since have made it suitable to almost any space and type of usage. Reinterpreting the characteristic elements of the beetles' sections - shape, shells, rigid outsides and soft insides - GamFratesi conceived of a chair that is at the same time striking, refined, and sublimely comfortable. Now, the addition of a pneumatic height-adjustment cylinder to the 4-star meeting chair's base, with or without castors, makes it even more flexible, able to adapt to the diverse needs of the modern workplace, whether that be at home, an office, or somewhere in between.

---

### Materials & Finishes

BASE FINISH

Black Matt Base



SHELL COLOR

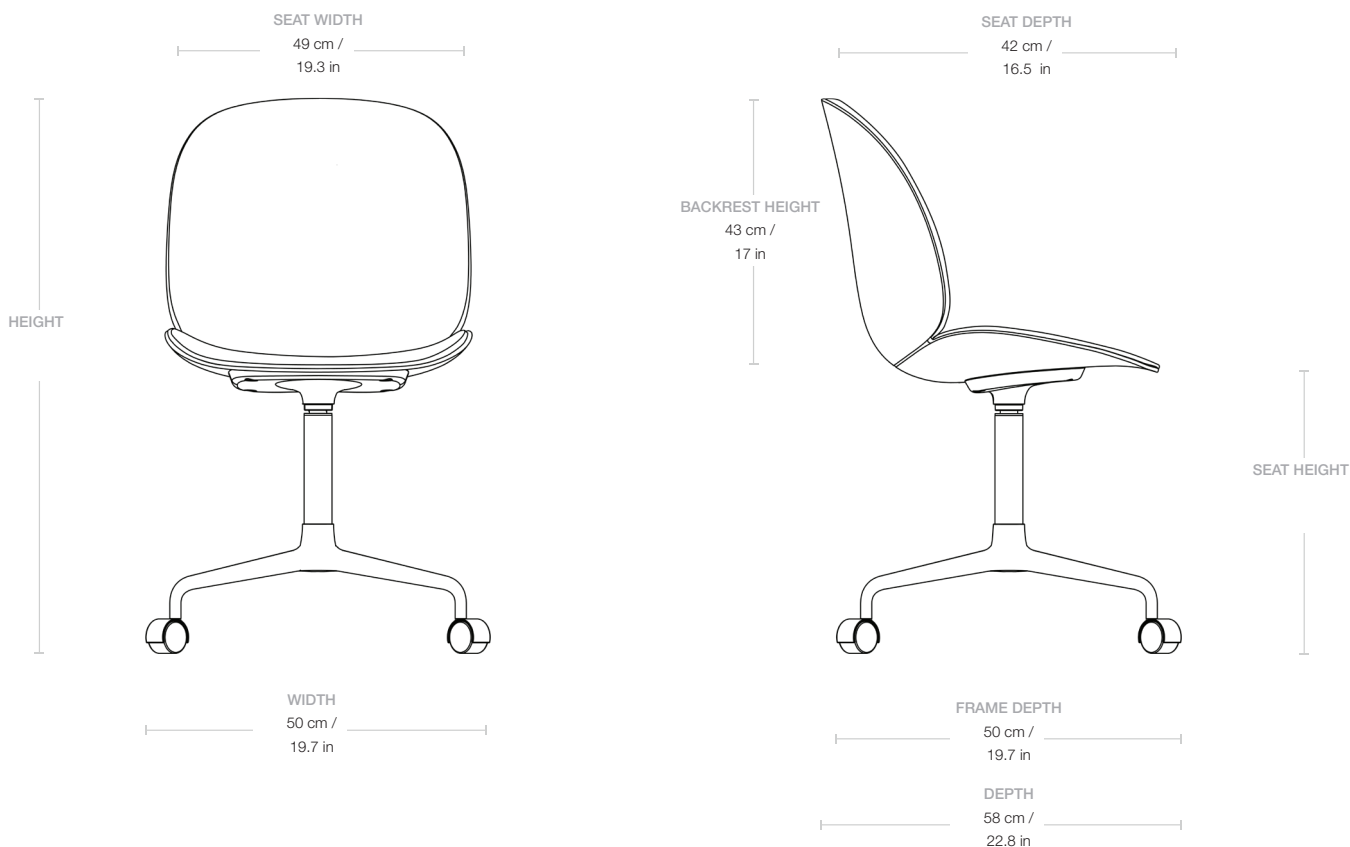
American Walnut, Oak



MATERIALS

Wood, HDPE, Foam, Aluminium, Fabric or Leather upholstery

## Dimensions



WIDTH	50 cm / 19.7 in
DEPTH	58 cm / 22.8 in
HEIGHT	81-92,5 cm / 31,9-36,4 in
SEAT WIDTH	49 cm / 19.3 in
SEAT DEPTH	42 cm / 16.5 in
SEAT HEIGHT	40,5-52 cm / 15,9-20,5 in
BACKREST HEIGHT	43 cm / 16.9 in
FRAME WIDTH	50 cm / 19.7 in
FRAME DEPTH	50 cm / 19.7 in

## Weight

TOTAL WEIGHT	11,5 kg / 25,4 lbs
SHELL WEIGHT	6,4 kg / 14,1 lbs

## Upholstery Consumption

### FABRIC

X 140 CM FABRIC WIDTH / X 55 IN FABRIC WIDTH

FRONT UPHOLSTERED 1 PCS 63 cm / 24.8 in

FRONT UPHOLSTERED 2+ PCS 60 cm / 23.6 in

### LEATHER

FRONT UPHOLSTERED 1.39 m<sup>2</sup> / 15 ft<sup>2</sup>

---

## Packaging

PACKAGING LENGTH 59 cm / 23.2 in

PACKAGING WIDTH 58 cm / 22.8 in

PACKAGING HEIGHT 92 cm / 36.2 in

PACKAGING WEIGHT 2.5 kg / 5.5 lbs

GROSS WEIGHT 14 kg / 30,9 lbs

---

## Test & Certifications

CALIFORNIA 117 Yes, US only

BS 5852- CIGARETTE & MATCH Available on request

BS 5852 CRIB 5 Available on request

FSC® C176589 FSC® certified MIX 70% (American Walnut, Oak)

---

SUSTAINABILITY Parts can be separated and sorted for recycling, Beetle shells are made of 100% recyclable PP

---

## Beetle Meeting Chair, Front Upholstered - Swivel base

Designed by GamFratesi - 2013

---



---

**ITEM NUMBER**

10290

**DESCRIPTION**

The Beetle can exude a personal adornment with an upholstery of your choice. Due to its unique design, the front upholstery can also be changed with time to give the chair a different expression and new life to the interior decoration. GamFratesi has reinterpreted the characteristic elements of the beetles' sections when designing the Beetle Chair: shape, shells, sutures, rigid outside and soft inside. The comfortable yet dynamic design makes the chair suitable for multiple environments whether it is in the home or the workplace.

---

### Materials & Finishes

**BASE FINISH**

Black Matt Base, Brass Semi Matt Base



**SHELL COLOR**

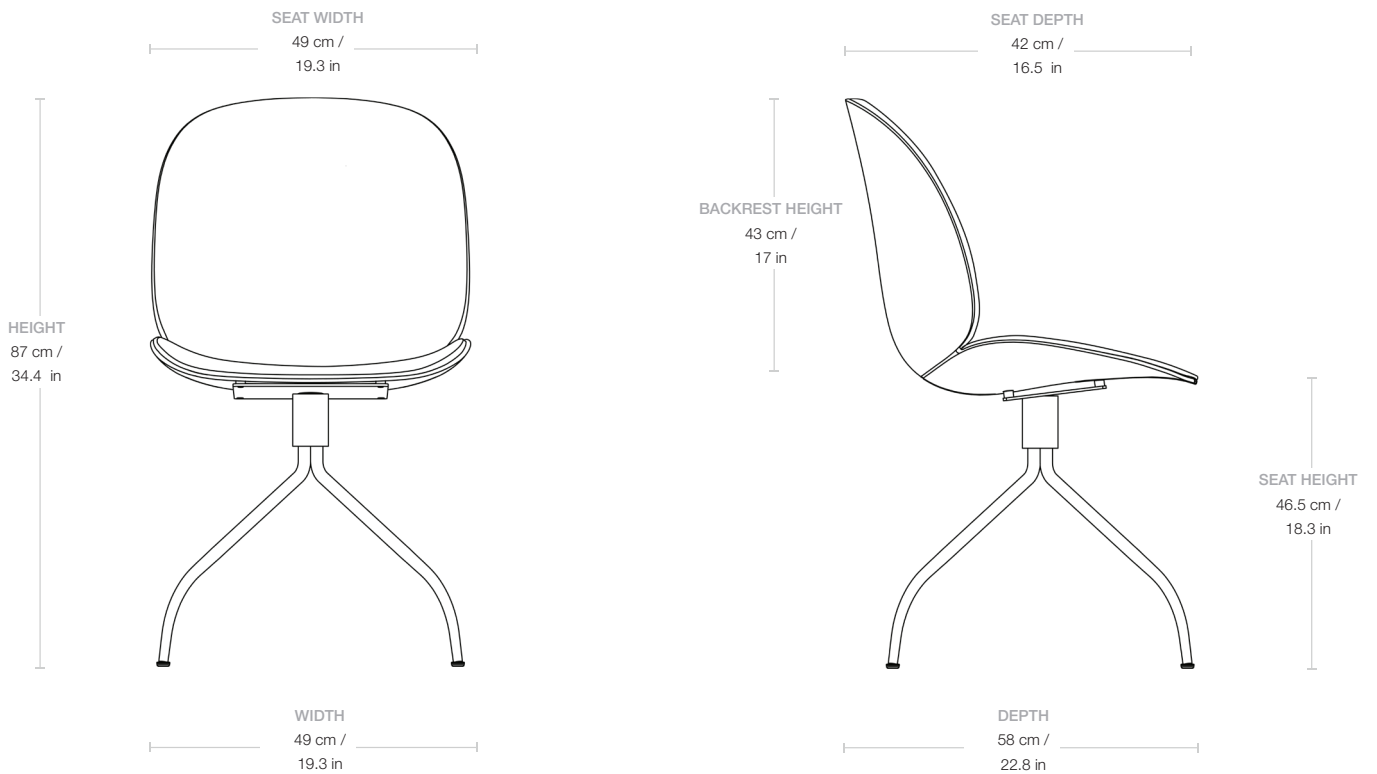
Black, Dark Green, Dark Pink, New Beige, Grey Blue, Sweet Pink, Pure White, Pastel Green, Amber Brown, Pebble Brown, Alabaster White



**MATERIALS**

PP, HDPE, Foam, Steel, Fabric or Leather upholstery

**Dimensions**



<b>WIDTH</b>	49 cm / 19.3 in
<b>DEPTH</b>	58 cm / 22.8 in
<b>HEIGHT</b>	87 cm / 34.3 in
<b>SEAT WIDTH</b>	49 cm / 19.3 in
<b>SEAT DEPTH</b>	42 cm / 16.5 in
<b>SEAT HEIGHT</b>	46.5 cm / 18.3 in
<b>BACKREST HEIGHT</b>	43 cm / 17 in
<b>BASE / LEG THICKNESS</b>	Ø 1-1.6 cm / Ø 0.4-0.6 in

## Weight

<b>TOTAL WEIGHT</b>	10.2 kg / 22.5 lbs
<b>LEGS WEIGHT</b>	4.4 kg / 9.7 lbs
<b>SHELL WEIGHT</b>	5.8 kg / 12.8 lbs

---

## Upholstery Consumption

### FABRIC

#### X 140 CM FABRIC WIDTH / X 55 IN FABRIC WIDTH

<b>FRONT UPHOLSTERED 1 PCS</b>	63 cm / 24.8 in
<b>FRONT UPHOLSTERED 2+ PCS</b>	60 cm / 23.6 in

### LEATHER

<b>FRONT UPHOLSTERED</b>	1.39 m <sup>2</sup> / 15 ft <sup>2</sup>
--------------------------	--

---

## Packaging

<b>NUMBER OF PARCELS</b>	1
<b>PACKAGING LENGTH</b>	59 cm / 23.2 in
<b>PACKAGING WIDTH</b>	58 cm / 22.8 in
<b>PACKAGING HEIGHT</b>	92 cm / 36.2 in
<b>PACKAGING WEIGHT</b>	2.5 kg / 5.5 lbs
<b>GROSS WEIGHT</b>	12.7 kg / 28 lbs

---

## Test & Certifications

<b>CALIFORNIA 117</b>	Yes, Us only
<b>BS 5852- CIGARETTE &amp; MATCH</b>	Available on request
<b>BS 5852 - CRIB 5</b>	Available on request

---

<b>SUSTAINABILITY</b>	Parts can be separated and sorted for recycling, Beetle shells are made of 100% recyclable PP
-----------------------	---

---

<b>SPARE PARTS</b>	Item	Item Number
	Beetle Glide - Felt - Swivel Base / Set of 4	14530
	Beetle Glide - Plastic - Swivel Base Conic / Set of 4	10265

---

## Glides

**PLASTIC GLIDES**

Included as standard

**FELT GLIDES**

Available on request

---

---

## Beetle Meeting Chair - Fully Upholstered, Height adjustable 4-star base w. castors

Designed by GamFratesi - 2013

---



---

ITEM NUMBER

61377

DESCRIPTION

The Beetle Chair from GamFratesi was an instant classic when it launched in 2013, and the many new configurations that have been added since have made it suitable to almost any space and type of usage. Reinterpreting the characteristic elements of the beetles' sections - shape, shells, rigid outsides and soft insides - GamFratesi conceived of a chair that is at the same time striking, refined, and sublimely comfortable. Now, the addition of a pneumatic height-adjustment cylinder to the 4-star meeting chair's base, with or without castors, makes it even more flexible, able to adapt to the diverse needs of the modern workplace, whether that be at home, an office, or somewhere in between.

---

### Materials & Finishes

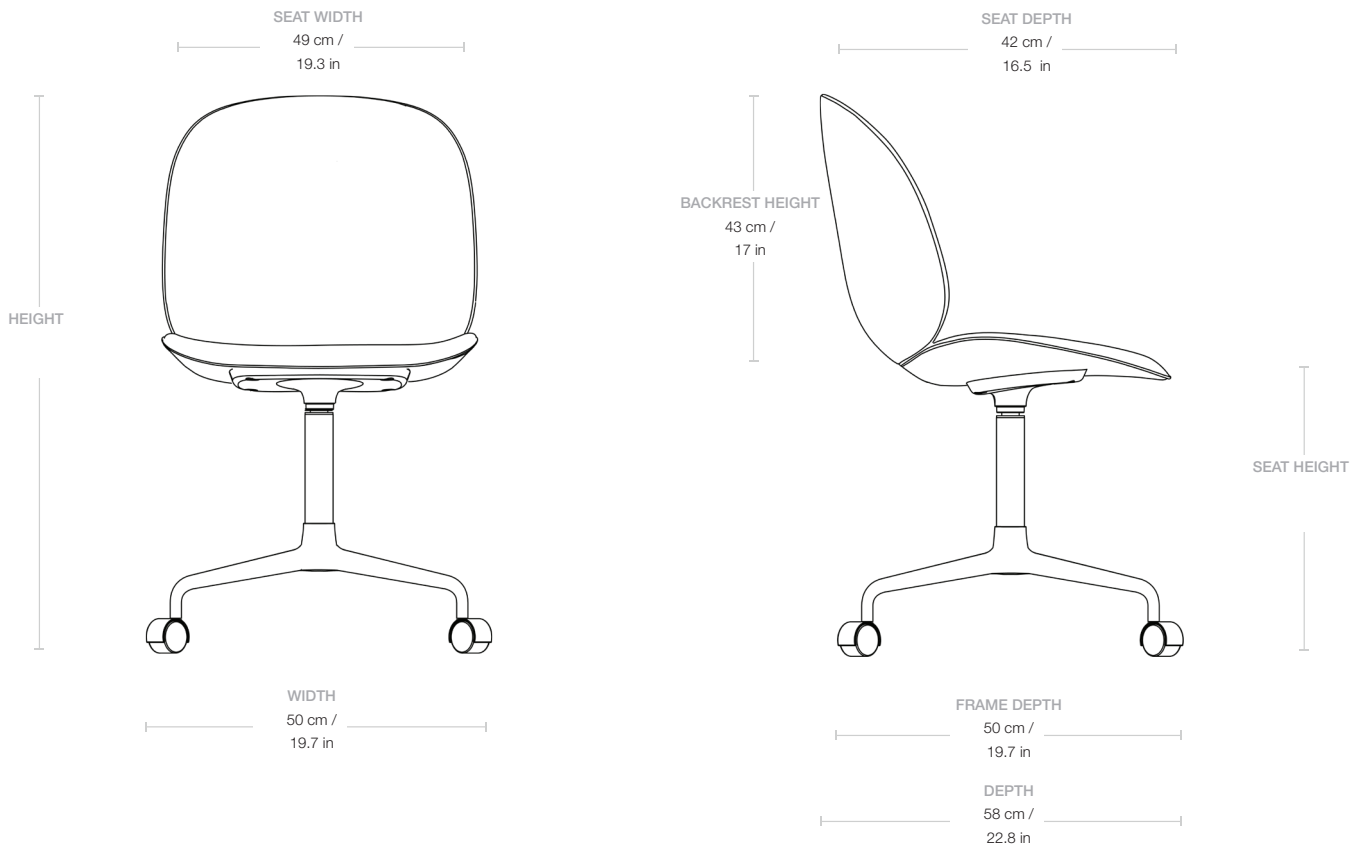
BASE FINISH

Black Matt Base





## Dimensions



WIDTH	50 cm / 19.7 in
DEPTH	58 cm / 22.8 in
HEIGHT	81-92,5 cm / 31,9-36,4 in
SEAT WIDTH	49 cm / 19.3 in
SEAT DEPTH	42 cm / 16.5 in
SEAT HEIGHT	40,5-52 cm / 15,9-20,5 in
BACKREST HEIGHT	43 cm / 16.9 in
BASE WIDTH	50 cm / 19.7 in
BASE DEPTH	50 cm / 19.7 in

## Weight

TOTAL WEIGHT	10,9 kg / 24 lbs
SHELL WEIGHT	6 kg / 13.2 lbs

## FABRIC

X 140 CM FABRIC WIDTH / X 55 IN FABRIC WIDTH

FULLY UPHOLSTERED, SAME PIPING	110 cm / 43.3 in
FULLY UPHOLSTERED, DIFFERENT PIPING	120 cm / 47.2 in
PIPING	12 cm / 4.7 in
FRONT SIDE UPHOLSTERY	63 cm / 24.8 in
BACK SIDE UPHOLSTERY	81 cm / 32 in

## LEATHER

FULLY UPHOLSTERED, SAME PIPING	2.58 m <sup>2</sup> / 27.8 ft <sup>2</sup>
PIPING	0.21 m <sup>2</sup> / 2.3 ft <sup>2</sup>

---

## Packaging

NUMBER OF PARCELS	1
PACKAGING LENGTH	59 cm / 23.2 in
PACKAGING WIDTH	58 cm / 22.8 in
PACKAGING HEIGHT	92 cm / 36.2 in
PACKAGING WEIGHT	2.5 kg / 5.5 lbs
GROSS WEIGHT	13,4 kg / 29,5 lbs

---

## Test & Certifications

CALIFORNIA 117	Yes
BS 5852- CIGARETTE & MATCH	Available on request
BS 5852 - CRIB 5	Available on request
EN 1022:2005	Yes
EN 16139:2013L2	Yes

---

SUSTAINABILITY	Parts can be separated and sorted for recycling
----------------	---

---

## Beetle Meeting Chair, Fully Upholstered - 4 Star base

Designed by GamFratesi - 2013

---



---

**ITEM NUMBER**

10288

**DESCRIPTION**

The Beetle Chair has since its introduction in 2013 being well received by end-consumers as well as interior architects. Due to its appealing design, outstanding comfort and unique customisation possibilities, the chair can be seen in many of the most renown restaurants around the world. The fully upholstered chair carries strong references to the design duo GamFratesi's inspirational source; the insect world, more specific the world of beetles. Not just the name indicates their inspiration, but also the characteristic elements of the beetles' sections have been interpreted - shape, shells, sutures, rigid outside and soft inside. The wide range of upholstery options and different bases make it possible to put your personal touch to the chair and create one of its kind.

---

### Materials & Finishes

**BASE FINISH**

Polished Aluminium, Black Matt Base, Pure white Base

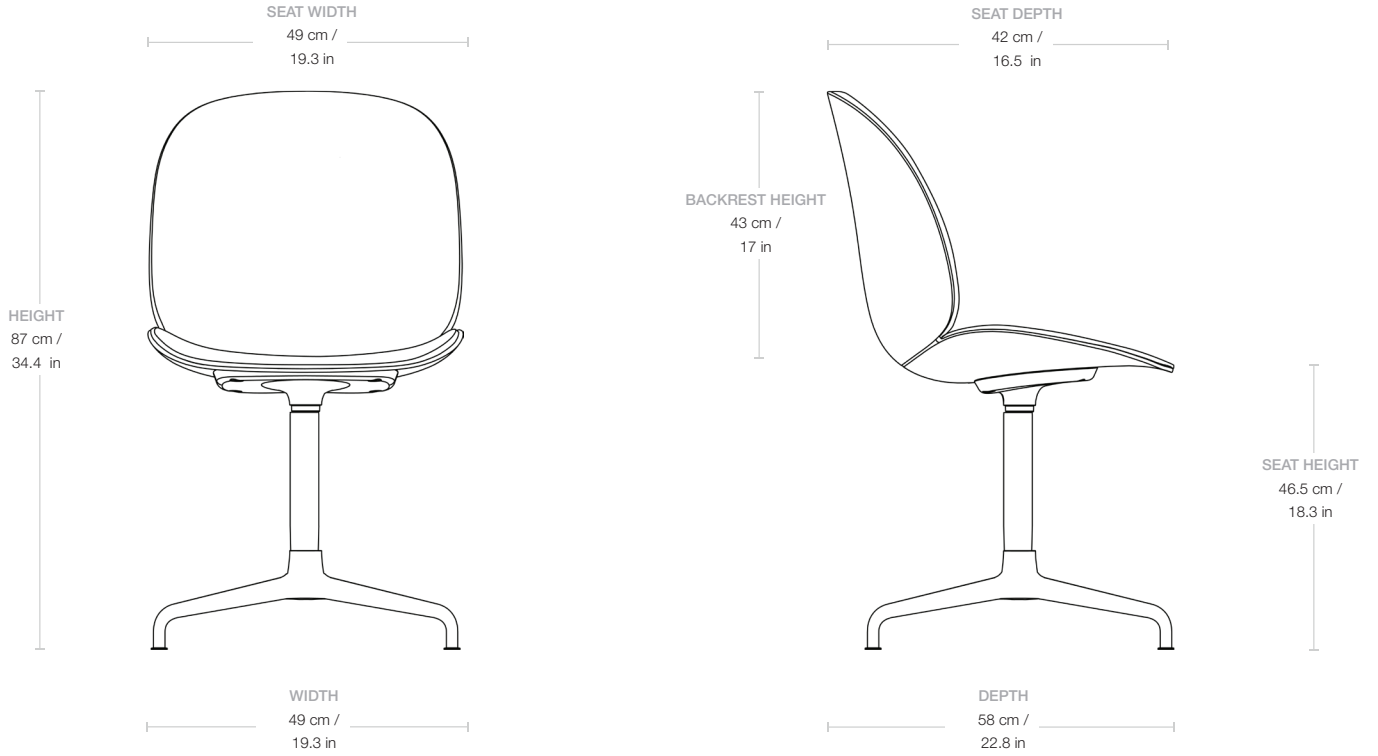


**MATERIALS**

PP, HDPE, Foam, Aluminium, Fabric or Leather upholstery.

---

**Dimensions**



<b>WIDTH</b>	49 cm / 19.3 in
<b>DEPTH</b>	58 cm / 23 in
<b>HEIGHT</b>	87 cm / 34.3 in
<b>SEAT WIDTH</b>	49 cm / 19.3
<b>SEAT DEPTH</b>	42 cm / 16.5
<b>SEAT HEIGHT</b>	46.5 cm / 18.3
<b>BACKREST HEIGHT</b>	43 cm / 17 in
<b>BASE/LEG THICKNES</b>	Ø 1.8/4.5 cm / Ø 0.7/ 1.7 in

---

**Weight**

<b>TOTAL WEIGHT</b>	10 kg / 22 lbs
<b>LEGS WEIGHT</b>	4 kg / 8.8 lbs
<b>SHELL WEIGHT</b>	6 kg / 13.2lbs

---

## Upholstery Consumption

### FABRIC

#### X 140 CM FABRIC WIDTH / X 55 IN FABRIC WIDTH

FULLY UPHOLSTERED, SAME PIPING 110 cm / 43.3 in

FULLY UPHOLSTERED DIFFERENT PIPING 120 cm / 47.2 in

### LEATHER

FULLY UPHOLSTERED 2.58 m<sup>2</sup> / 27.8 ft<sup>2</sup>

PIPING 0,21m<sup>2</sup> / 2.3 ft<sup>2</sup>

---

## Packaging

NUMBER OF PARCELS 1

PACKAGING LENGTH 59 cm / 23.2 in

PACKAGING WIDTH 58 cm / 22.8 in

PACKAGING HEIGHT 92 cm / 36.2 in

PACKAGING WEIGHT 2.5 kg / 5.5 lbs

GROSS WEIGHT 12.5 kg / 27.5 lbs

---

## Test & Certifications

CALIFORNIA 117 Yes, US only

BS 5852- CIGARETTE & MATCH Available on request

BS 5852 - CRIB 5 Available on request

EN 1022:2005 Yes

EN 16139:2013L1 Yes

---

**SUSTAINABILITY** Parts can be separated and sorted for recycling, beetle shells are made of 100% recyclable PP

---

## Glides

PLASTIC GLIDES Included as standard

FELT GLIDES Available on request

---

## Beetle Meeting Chair, Seat Upholstered - Swivel base

Designed by GamFratesi - 2013

---



---

**ITEM NUMBER**

10294

**DESCRIPTION**

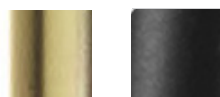
The Beetle can exude a personal adornment with an upholstery of your choice. Due to its unique design, the front upholstery can also be changed with time to give the chair a different expression and new life to the interior decoration. GamFratesi has reinterpreted the characteristic elements of the beetles' sections when designing the Beetle Chair: shape, shells, sutures, rigid outside and soft inside. The comfortable yet dynamic design makes the chair suitable for multiple environments whether it is in the home or the workplace.

---

### Materials & Finishes

**BASE FINISH**

Brass, Black



**SHELL COLOR**

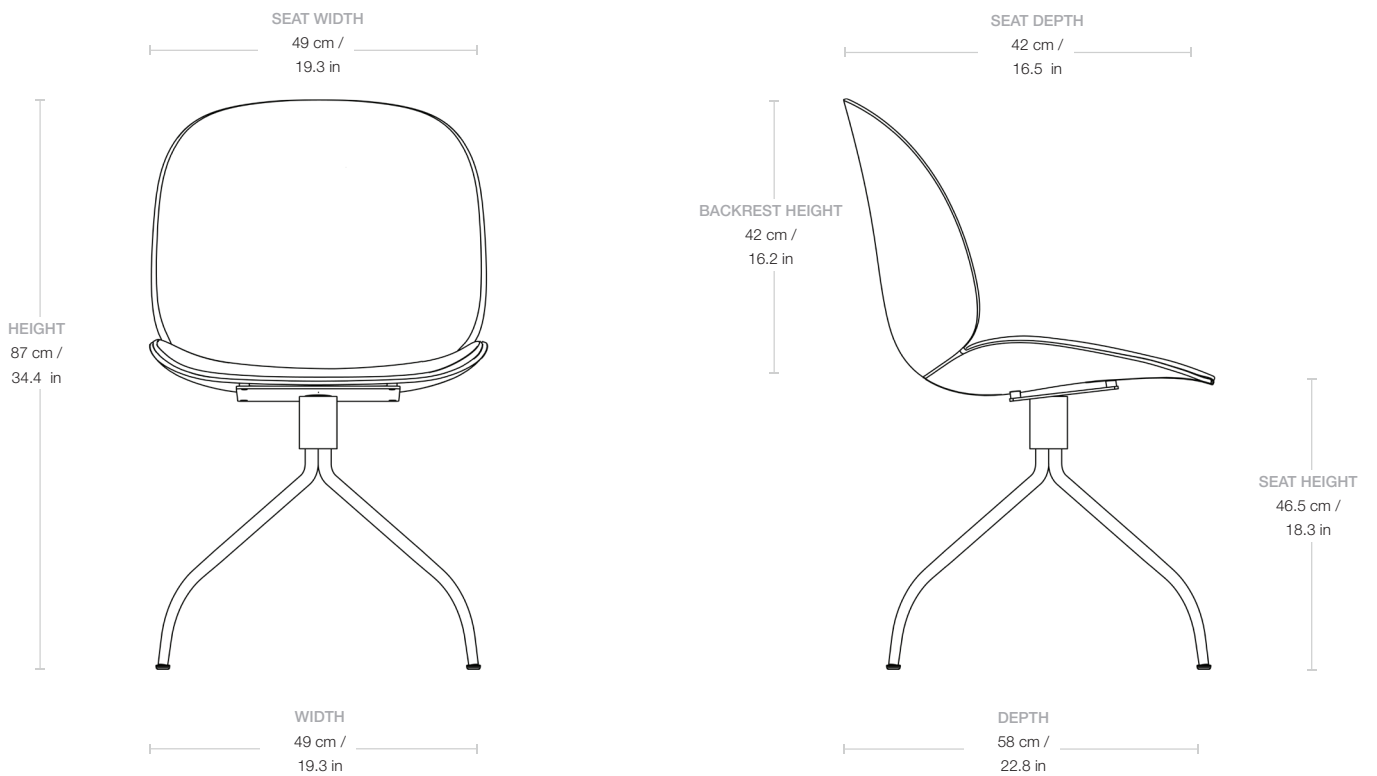
Black, Dark Green, Dark Pink, New Beige, Grey Blue, Sweet Pink, Pure White, Pastel Green, Amber Brown, Pebble Brown, Alabaster White



**MATERIALS**

PP, HDPE, Foam, Steel, Fabric or Leather upholstery

Dimensions



<b>WIDTH</b>	49 cm / 19.3 in
<b>DEPTH</b>	58 cm / 22.8 in
<b>HEIGHT</b>	87 cm / 34.3 in
<b>SEAT WIDTH</b>	49 cm / 19.3 in
<b>SEAT DEPTH</b>	42 cm / 16.5 in
<b>SEAT HEIGHT</b>	46.5 cm / 18.3 in
<b>BACKREST HEIGHT</b>	42 cm / 16.5 in
<b>BASE / LEG THICKNESS</b>	Ø 1-1.6 cm / Ø 0.4 / 0.6 in

---

## Weight

<b>TOTAL WEIGHT</b>	9 kg / 19.8 lbs
<b>LEGS WEIGHT</b>	4.4 kg / 9.7 lbs
<b>SHELL WEIGHT</b>	4.6 kg / 10.6 lbs

---

## Upholstery Consumption

### FABRIC

#### X 140 CM FABRIC WIDTH / X 55 IN FABRIC WIDTH

**SEAT UPHOLSTERED 1 PCS** 60 cm / 24.8 in

**SEAT UPHOLSTERED 2 PCS AND MORE** 30 cm / 11.8 in

### LEATHER

**SEAT UPHOLSTERED** 0.67 m<sup>2</sup> / 7.2 ft<sup>2</sup>

---

## Packaging

<b>NUMBER OF PARCELS</b>	1
<b>PACKAGING LENGTH</b>	59 cm / 23.2 in
<b>PACKAGING WIDTH</b>	58 cm / 22.8 in
<b>PACKAGING HEIGHT</b>	92 cm / 36.2 in
<b>PACKAGING WEIGHT</b>	2.5 kg / 5.5 lbs
<b>GROSS WEIGHT</b>	11.5 kg / 25.4 lbs

---

## Test & Certifications

<b>CALIFORNIA 117</b>	Yes, US only
<b>BS 5852- CIGARETTE &amp; MATCH</b>	Available on request
<b>BS 5852 - CRIB 5</b>	Available on request

---

**SUSTAINABILITY** Parts can be separated and sorted for recycling, Beetle shells are made of 100% recyclable PP

---

<b>SPARE PARTS</b>	Item	Item Number
	Beetle Glide - Felt - Swivel Base / Set of 4	14530



---

## Glides

**PLASTIC GLIDES**

Included as standard

**FELT GLIDES**

Available on request

---

---

## Beetle Meeting Chair, Un-Upholstered - Swivel base

Designed by GamFratesi - 2013

---



---

**ITEM NUMBER**

10298

**DESCRIPTION**

With the introduction of the un-upholstered Beetle Chair, the collection has bloomed into a chair series with unlimited possibilities. The Beetle Chair is no longer only an upholstered chair but also available with a polypropylene plastic shell, giving it a lighter expression with notable durability at a lower price point. The chair's subtle matte texture offers a soft tactility where its outstanding sitting comfort is obtained. Thanks to the wide spectrum of colour and base options, the un-upholstered Beetle is an ideal solution for both formal and informal spaces alike. Mix and match between the seven harmonious colours to create a personal expression.

---

### Materials & Finishes

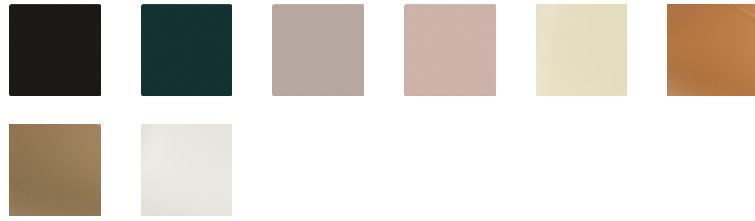
**BASE FINISH**

Black Matt Base, Brass Semi Matt Base



**SHELL COLOR**

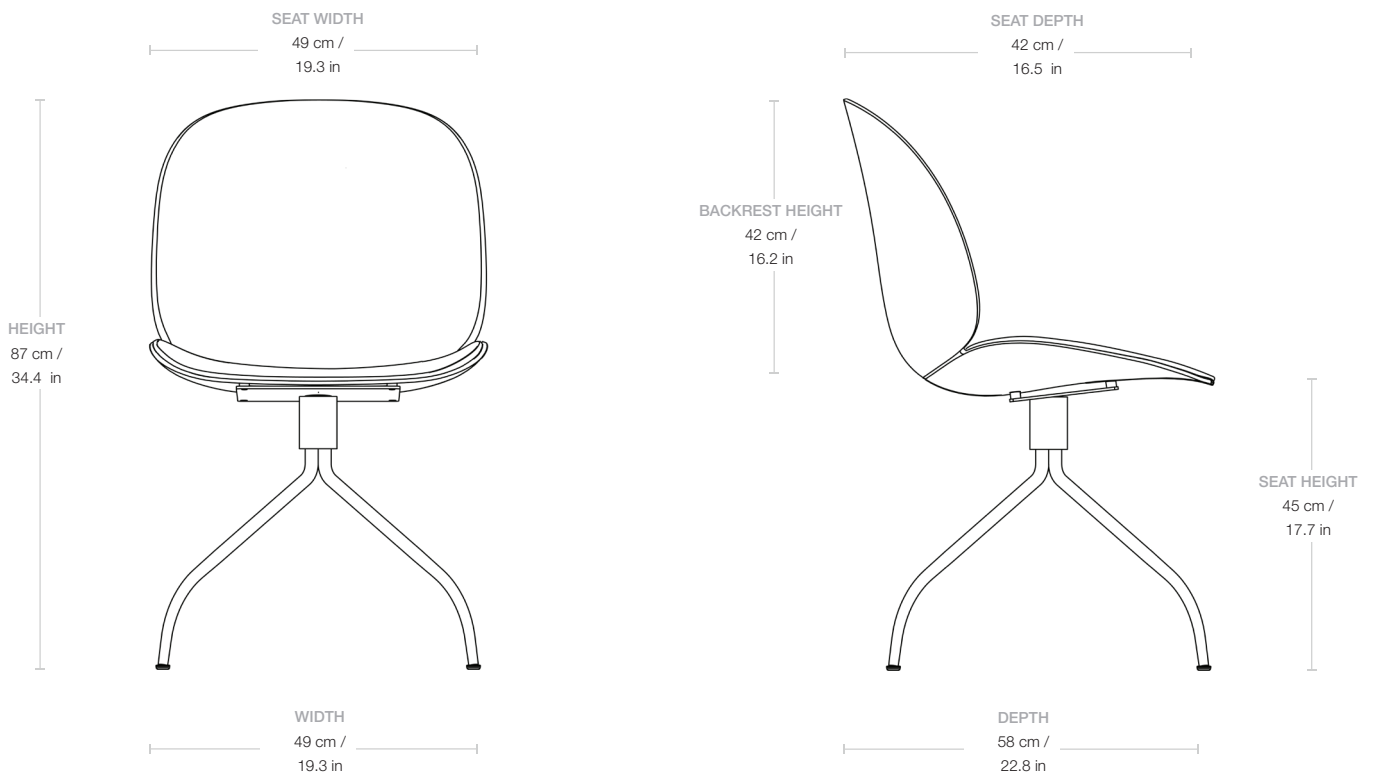
Black, Dark Green, New Beige, Sweet Pink, Pastel Green, Amber Brown, Pebble Brown, Alabaster White



**MATERIALS**

PP, HDPE, Steel

**Dimensions**



<b>WIDTH</b>	49 cm / 19.3 in
<b>DEPTH</b>	58 cm / 22.8 in
<b>HEIGHT</b>	87 cm / 34.3 in
<b>SEAT WIDTH</b>	49 cm / 19.3 in
<b>SEAT DEPTH</b>	42 cm / 16.5 in
<b>SEAT HEIGHT</b>	45 cm / 17.7 in
<b>BACKREST HEIGHT</b>	42 cm / 16.5 in
<b>BASE / LEG THICKNESS</b>	Ø 1-1.6 cm / Ø 0.4 / 0.6 in

## Weight

<b>TOTAL WEIGHT</b>	8 kg / 17.6 lbs
<b>LEGS WEIGHT</b>	4.4 kg / 9.7 lbs
<b>SHELL WEIGHT</b>	3.6 kg / 8 lbs

---

## Packaging

<b>NUMBER OF PARCELS</b>	1
<b>PACKAGING LENGTH</b>	59 cm / 23.2 in
<b>PACKAGING WIDTH</b>	58 cm / 22.8 in
<b>PACKAGING HEIGHT</b>	92 cm / 36.2 in
<b>PACKAGING WEIGHT</b>	2.5 kg / 5.5 lbs
<b>GROSS WEIGHT</b>	10.5 kg / 23.1 lbs

---

## Test & Certifications

<b>EN 1022:2005</b>	Yes
<b>EN 16139:2013L1</b>	Yes

---

<b>SUSTAINABILITY</b>	Parts can be separated and sorted for recycling, Beetle shells are made of 100% recyclable PP
-----------------------	---

---

<b>SPARE PARTS</b>	Item	Item Number
	Beetle Glide - Felt - Swivel Base / Set of 4	14530
	Beetle Glide - Plastic - Swivel Base / Set of 4	10265

---

## Glides

<b>PLASTIC GLIDES</b>	Included as standard
<b>FELT GLIDES</b>	Available on request

---