

WORKSTEAD



SIGNAL FLUSH MOUNT
hewn brass

WORKSTEAD



SIGNAL FLUSH MOUNT
hand finished bronze

WORKSTEAD



SIGNAL FLUSH MOUNT
brushed nickel

WORKSTEAD

SIGNAL FLUSH MOUNT

hardwired

Description

The SIGNAL FLUSH MOUNT features a hand-blown glass globe suspended from a luminous metal canopy by a pair of metal pins. A sinuous pull chain is weighted by a slender bar, giving the piece a jewel-like presence. Made in the USA. UL Listed. Damp Rated upon request.

Finish Options

Hewn Brass
Hand Finished Bronze
Brushed Nickel

Dimensions

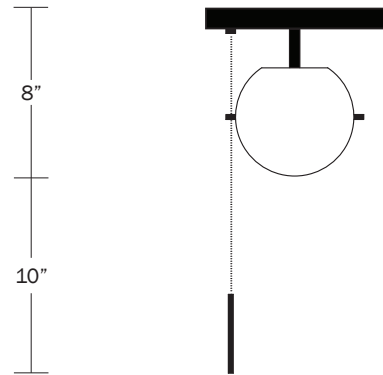
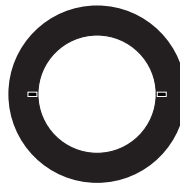
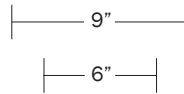
Overall Height - 8"
Height Including Chain - 18"
Globe Diameter- 6"
Canopy Diameter - 9"

Weight

6 lbs

Lamp

40 Watt Incandescent Max
5W Dimmable LED Bulb Included
2" Diameter With Porcelain Finish
40 Watt Equivalent
325 Lumens
2700K Color Temperature
Bulb Life 30,000 Hours
110/120V, E12
220/240V, E14
UL/CE Listed
Damp Rating Upon Request



front

side



WORKSTEAD

