

WORKSTEAD



LODGE CHANDELIER III
oxidized oak

WORKSTEAD



LODGE CHANDELIER III
natural oak

WORKSTEAD



LODGE CHANDELIER III
painted white

WORKSTEAD



LODGE CHANDELIER III
painted yellow

WORKSTEAD



LODGE CHANDELIER III
painted gray

WORKSTEAD

LODGE CHANDELIER III

hardwired

Description

The LODGE CHANDELIER III explores the concept of wooden framework in contrast with metal structure. Three turned-wooden forms support a delicate system of metal tubing, and a trio of radiant porcelain bulbs. Custom dimensions available. Made in the USA. UL Listed. Damp Rated upon request.

Finish Options

Natural Oak
Oxidized Oak
Painted White
Painted Yellow
Painted Gray
Hewn Brass
Blackened Steel

Dimensions

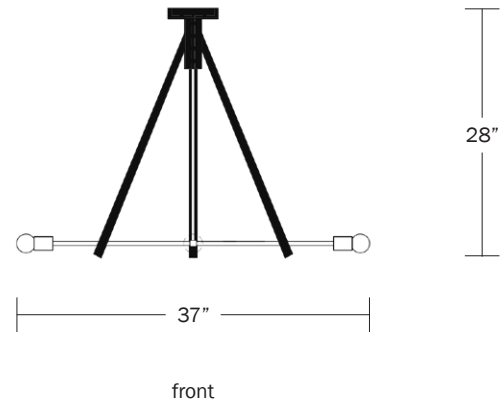
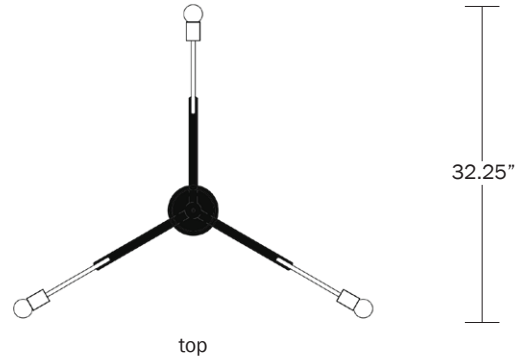
Overall Height - 28"
Width - 37"
Custom Dimensions Available

Weight

15 lbs

Lamp

60 Watt Incandescent Max Per Socket
5W Dimmable LED Bulbs Included
3" Diameter With Porcelain Finish
40 Watt Equivalent
974 Total Lumens
2700K Color Temperature
Bulb Life 30,000 Hours
110/120V, E12
220/240V, E14
UL/CE Listed
Damp Rated Upon Request



WORKSTEAD

