

V11 Ottoman - Fully Upholstered

Designed by Illum Wikkelsø - 1965



ITEM NUMBER

60477

DESCRIPTION

First designed in 1965, the V11 Lounge Chair is one of the most revered and highly sought-after seating designs by the leading 20th-century Danish designer Illum Wikkelsø. Like GUBI's other Wikkelsø design, the V11 is exemplary in craftsmanship and distinctive in form, with an angular trapezoidal body echoed in its signature inverted-pyramid legs in solid wood. Despite these seemingly sharp angles, the V11 is crafted for comfort, exemplifying Wikkelsø's belief that chairs should accommodate a variety of seating positions. Painstakingly recreated by GUBI using a process of 3D scanning, the V11 family includes a lounge chair and accompanying ottoman, both FSC®-certified (FSC®-C176589), and available with an extensive choice of upholstery options, demonstrating the design's aesthetic versatility.

Materials & Finishes

BASE FINISH

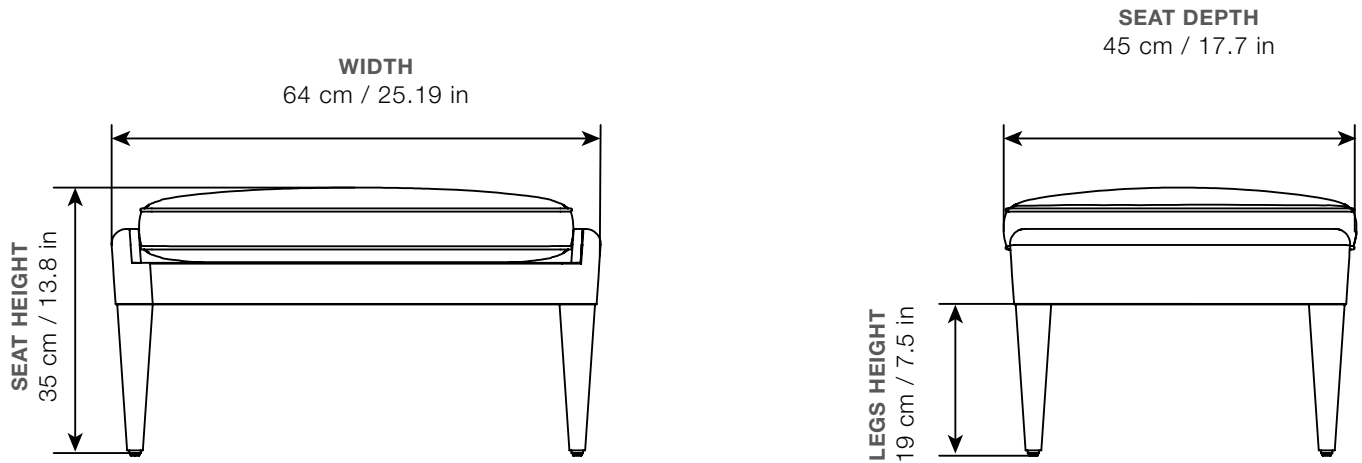
American Walnut or Oak



MATERIALS

Wood, Foam, Fabric or Leather upholstery

Dimensions



TOTAL DEPTH (FRAME):	45 cm / 17.7 in
SEAT DEPTH:	47 cm / 18.5 in
SEAT HEIGHT:	35 cm / 13.8 in
LEGS:	19 cm / 7.5 in

Weight

TOTAL WEIGHT 9 kg / 19,85 lbs

Upholstery Consumption

FABRIC

X 140 CM FABRIC WIDTH / X 55 IN FABRIC WIDTH

FULLY UPHOLSTERED 1 PCS 120 cm / 47.2 in

LEATHER

FULLY UPHOLSTERED 2.6 m² / 78.7 ft²

Packaging

NUMBER OF PARCELS	1
PACKAGING LENGTH	68 cm / 26.78 in
PACKAGING WIDTH	50 cm / 19.7 in
PACKAGING HEIGHT	40 cm / 15.75 in
PACKAGING WEIGHT	0,6 kg / 1,33 lbs
GROSS WEIGHT	9.6 kg / 21.17 lbs

Test & Certifications

CALIFORNIA 117	Yes, US only
BS 5852 - CRIB 5	Available on request
FSC® C176589	FSC® certified MIX 70%

Glides

PLASTIC GLIDES	Included as standard
FELT GLIDES	Available on request

Cleaning and Maintenance

For cleaning the upholstered surface, first try to brush off the dirt gently. If this is not enough then vacuum the surface. If further cleaning of the padding is needed, a stain remover is recommended. The cleaning has to be gentle and must always be tested on the most invisible area of the surface before the actual cleaning. Avoid blotches by gentle, circular rubbing towards the stain. To avoid stains, quickly remove the dirt with a piece of absorbing household wipe and clean with water and colourless washing-up liquid.

Do not use the following products for the padding:

- Undiluted cleaning liquids.
- Bleach.
- Ammoniac.
- Soap for hard surfaces.