



General Notes

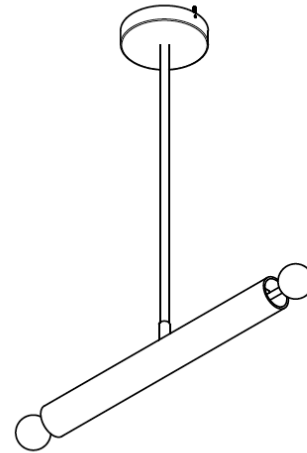
THIS LUMINAIRE IS UL LISTED. WHEN INSTALLING LUMINAIRE, CONFORM TO ALL APPLICABLE LOCAL ELECTRICAL CODES, ORDINANCES, AND THE NATIONAL ELECTRICAL CODE (NEC).

FOR YOUR SAFETY AND PROPER OPERATION OF LUMINAIRE, READ AND UNDERSTAND ALL INSTRUCTIONS COMPLETELY BEFORE COMMENCING INSTALLATION OF THIS LUMINAIRE.

CAREFULLY UNPACK THE LUMINAIRE AND INSPECT FOR DAMAGE.

THIS PRODUCT USES INTEGRATED LED PANEL, DO NOT ATTEMPT TO REPLACE

SAVE THESE INSTRUCTIONS FOR FUTURE REFERENCE.



CAUTION

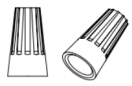



THIS PRODUCT SHOULD BE INSTALLED ONLY BY A LICENSED ELECTRICIAN.

WARNING

THE ELECTRICITY MUST BE TURNED OFF AT THE MAIN FUSE BOX BEFORE INSTALLING THIS LUMINAIRE. TURNING POWER OFF USING THE LIGHT SWITCH MAY NOT BE SUFFICIENT TO PREVENT ELECTRICAL SHOCK.

USE UL LISTED WIRE NUTS FOR THE WIRING CONNECTIONS IN THIS LUMINAIRE. WRAP WIRE NUT CONNECTIONS WITH UL LISTED ELECTRICAL TAPE.

Included components

2	wire nuts	
2	1 1/2" 8# x 32 machine bolts	
2	#8x32 set screws	
1	mounting plate	

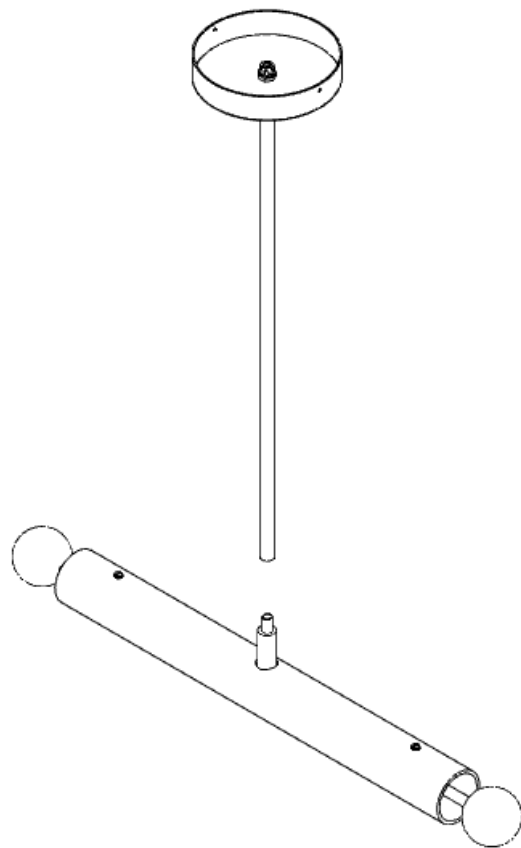
WORKSTEAD

Tube Pendant

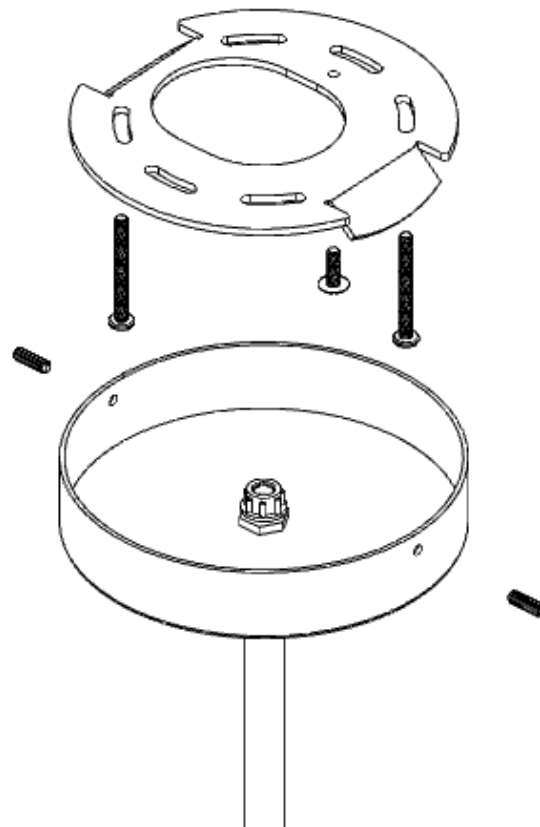
Assembly and mounting instructions



Assembly



Installation





<p>Assembly - Step 1</p> <p>Thread stem and canopy onto exposed nipple at top of fixture</p>	<p>Installation - Step 1</p> <p>Shut off the main electrical supply to the junction box from the fuse box/circuit breaker. Turning power off at the switch is not sufficient.</p>
<p>Step 2</p> <p>Locate junction box. Attach the mounting plate to the junction box using the junction box screws.</p>	<p>Step 3</p> <p>With pendant suspended independently, make electrical connections by following the electrical configuration table below, using the wire nuts provided. Ensure that all electrical connections are wrapped with ul listed electrical tape.</p>
<p>Step 4</p> <p>Tuck the wiring into the junction box. Align the set screw holes in the canopy with the mounting plate flanges and then press canopy against ceiling. Tighten set screws until flush with edge of canopy.</p>	<p>Step 5</p> <p>Return power to fixture to ensure proper function. If further work is needed, be sure to shut off power again before proceeding.</p>

Electrical Configuration

FROM SUPPLY	FROM LUMINAIRE
CONNECT BLACK OR RED (HOT) HOUSE SUPPLY CIRCUIT WIRE TO:	LUMINAIRE BLACK WIRE (HOT)
CONNECT WHITE (NEUTRAL) HOUSE SUPPLY CIRCUIT WIRE TO:	LUMINAIRE WHITE WIRE (NEUTRAL)

CONNECT GREEN INSULATED OR BARE COPPER (GROUND -)
HOUSE SUPPLY CIRCUIT WIRE TO GREEN GROUND SCREW ON CROSSBAR.