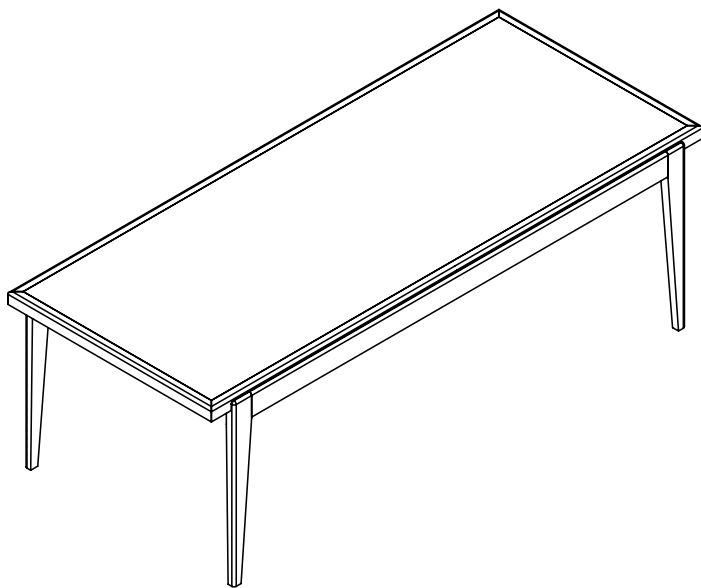


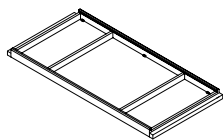
GUBI

ASSEMBLY INSTRUCTIONS

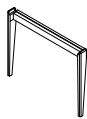
for

S-Table Dining Table - Fixed





x1



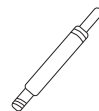
x2



x10



x1



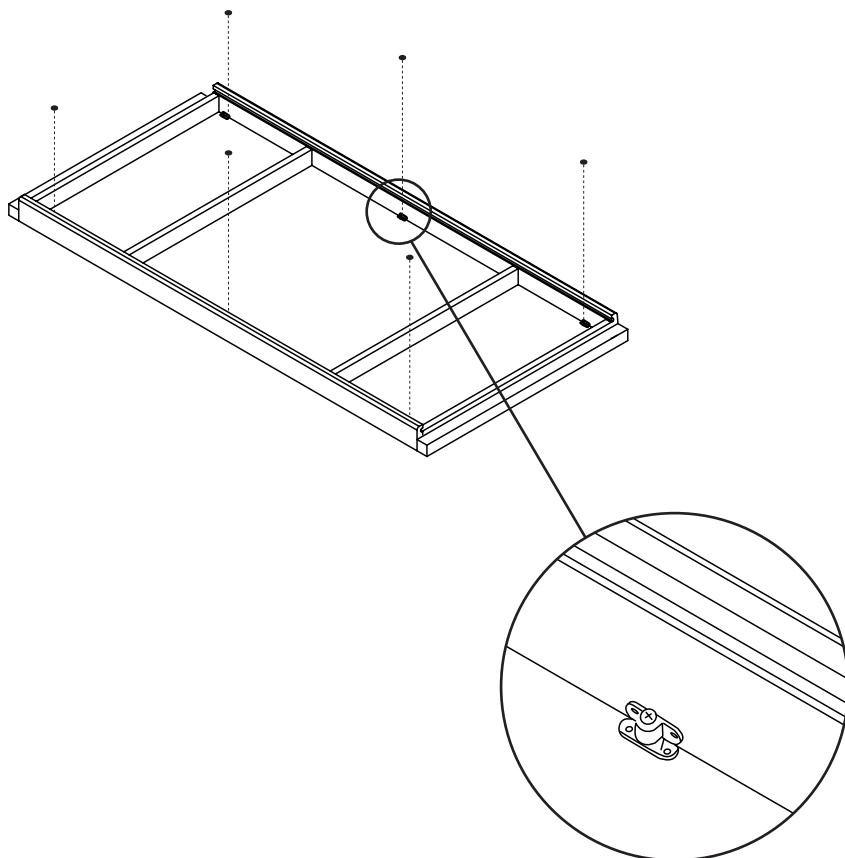
x4



x4

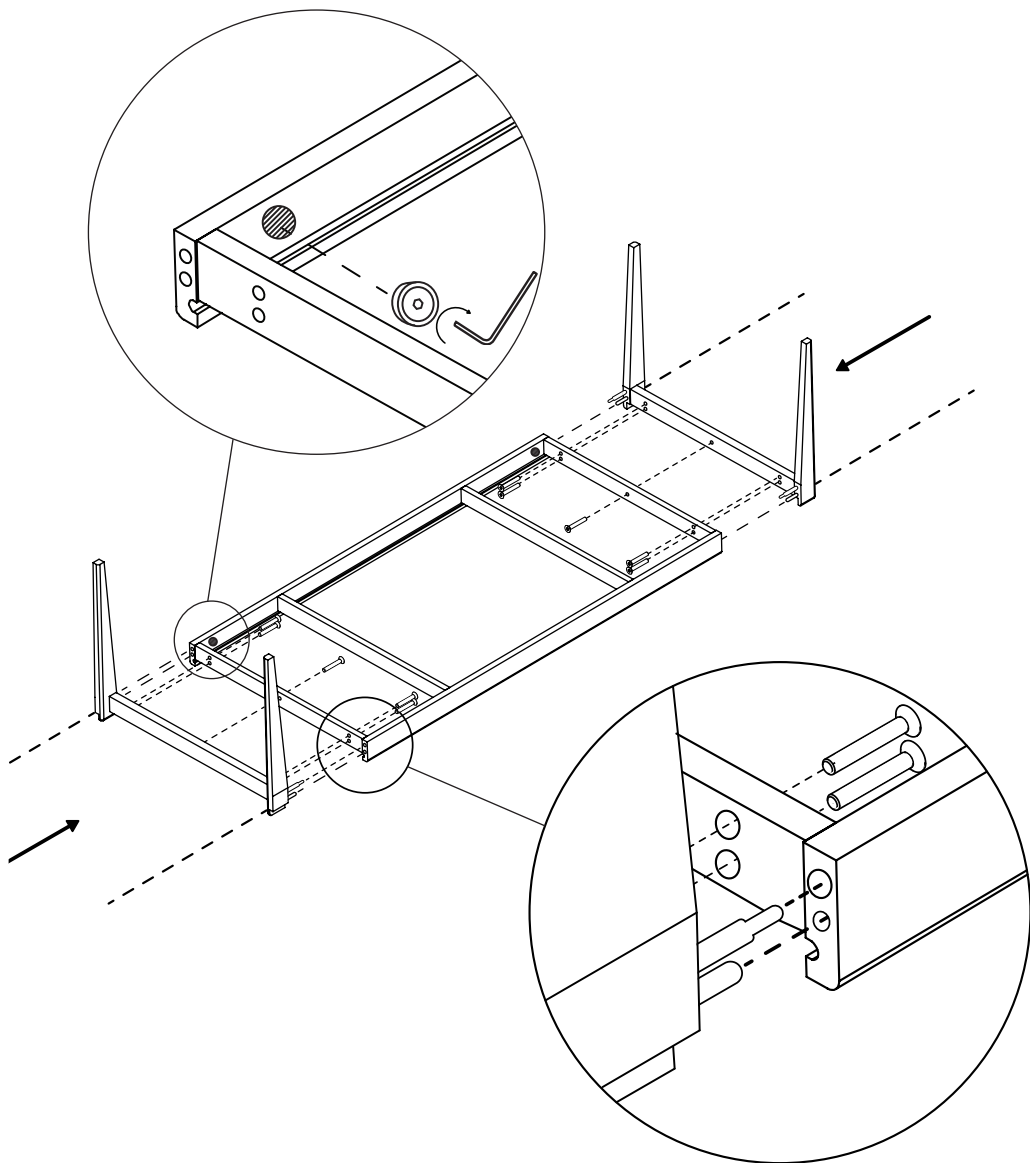
1.

Unpack the table, and remove the top by loosening the six screws with a philips screwdriver.



2.

Insert minifix to connect the legs.

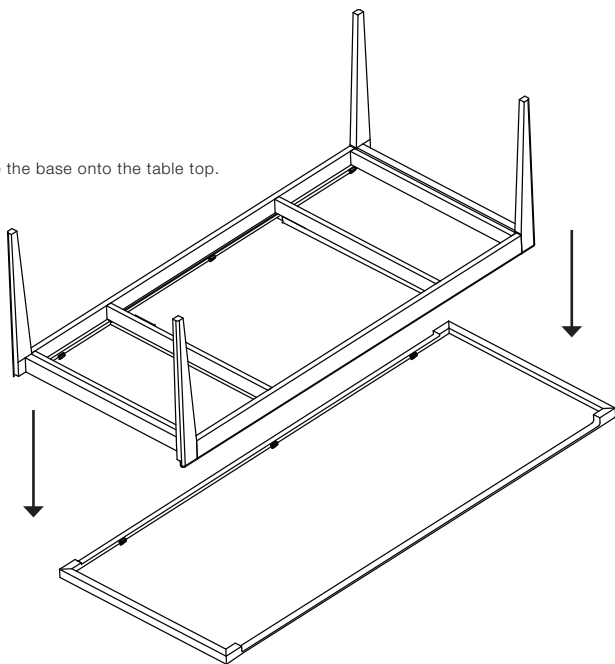


3.

Connect the legs to the frame using supplied screws.

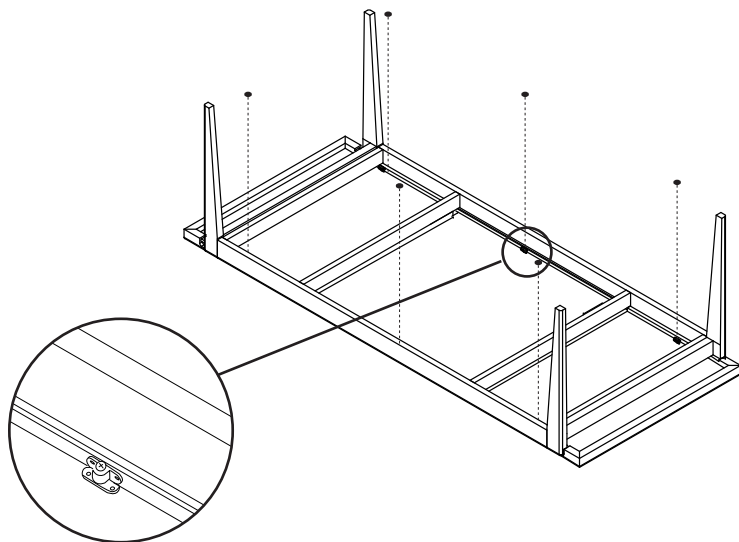
4.

Place the base onto the table top.



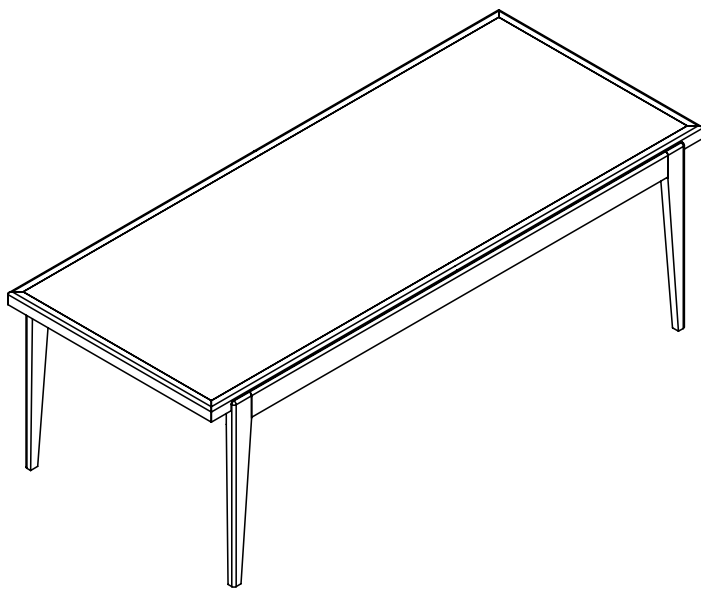
5.

Tighten the six screws.



6.

Stand the table up.





CARE INSTRUCTIONS

VENEER

For dusting and light cleaning use a soft, dry cloth. For further cleaning, use a soft cloth that is firmly wrung in clean water for gently wiping the surface, and then immediately use a dry cloth to wipe the surface again. If more thorough cleaning is necessary, use a mild liquid soap dissolved in water on a firmly wrung cloth to wipe the frame. Afterwards, repeat the process with clean water as described above



For enquiries contact GUBI A/S - CVR: 17940384
Klubensvej 7-9, 2150 Nordhavn, Copenhagen, Denmark

T +45 69 15 60 60 – gubi@gubi.com

GUBI.COM

Assembly Instructions S-Table Dining Table fixed.
