



General Notes

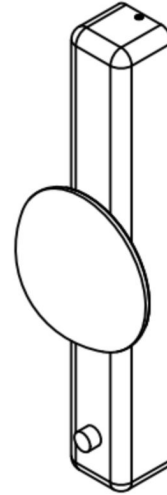
THIS LUMINAIRE IS UL LISTED. WHEN INSTALLING LUMINAIRE, CONFORM TO ALL APPLICABLE LOCAL ELECTRICAL CODES, ORDINANCES, AND THE NATIONAL ELECTRICAL CODE (NEC).

FOR YOUR SAFETY AND PROPER OPERATION OF LUMINAIRE, READ AND UNDERSTAND ALL INSTRUCTIONS COMPLETELY BEFORE COMMENCING INSTALLATION OF THIS LUMINAIRE.

CAREFULLY UNPACK THE LUMINAIRE AND INSPECT FOR DAMAGE.

THIS PRODUCT IS RATED FOR ONE 40W MAX, R14 BULB.

SAVE THESE INSTRUCTIONS FOR FUTURE REFERENCE.



CAUTION

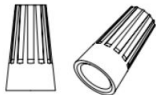



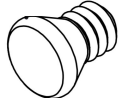
THIS PRODUCT SHOULD BE INSTALLED ONLY BY A LICENSED ELECTRICIAN.

WARNING

THE ELECTRICITY MUST BE TURNED OFF AT THE MAIN FUSE BOX BEFORE INSTALLING THIS LUMINAIRE. TURNING POWER OFF USING THE LIGHT SWITCH MAY NOT BE SUFFICIENT TO PREVENT ELECTRICAL SHOCK.

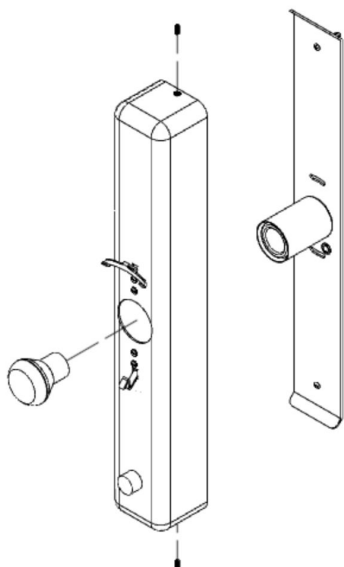
USE UL LISTED WIRE NUTS FOR THE WIRING CONNECTIONS IN THIS LUMINAIRE. WRAP WIRE NUT CONNECTIONS WITH UL LISTED ELECTRICAL TAPE.

Included components

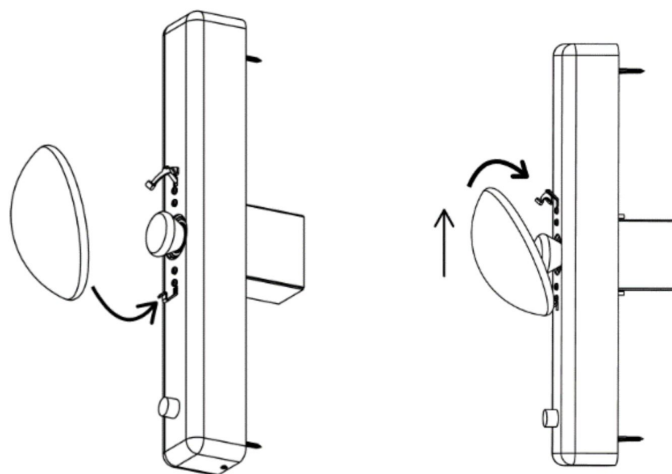
2	wire nuts	
2	1" 8# wood screws	
2	Drywall anchors	
2	1/2" #8 x 32 set screws	
1	R14 E26 LED bulb	



Mounting Assembly



Glass Install



Step 1

Shut off the main electrical supply to the junction box from the fuse box/circuit breaker. Turning power off at the switch is not sufficient.

Step 2

Locate junction box. Using the wire nuts provided, make electrical connections by following the electrical configuration table below. Ensure that all electrical connections are wrapped with UL listed electrical tape. Tuck the wiring into the junction box.

Step 3

Attach the mounting plate centered over junction box using the drywall screws and anchors.

Step 4

Bring shroud to the wall, connect black leads protruding from front of mounting plate to dimmer leads using wire connectors on dimmer.

Step 5

Use set screws at top and bottom to secure against bent faces of mounting plate.

Step 6

Install bulb, return power to fixture and rotate dimmer dial to confirm proper function.

Glass installation

Hook lower clip with lip of glass, pull gently upwards until lip of glass clears upper clip.



Electrical Configuration

FROM SUPPLY	FROM LUMINAIRE
CONNECT BLACK OR RED (HOT) HOUSE SUPPLY CIRCUIT WIRE TO:	LUMINAIRE BLACK WIRE PROTRUDING FROM BACK OF MOUNTING PLATE (HOT)
CONNECT WHITE (NEUTRAL) HOUSE SUPPLY CIRCUIT WIRE TO:	LUMINAIRE WHITE WIRE (NEUTRAL)
CONNECT GREEN INSULATED OR BARE COPPER (GROUND -) HOUSE SUPPLY CIRCUIT WIRE TO BARE GROUNDING LEASH	