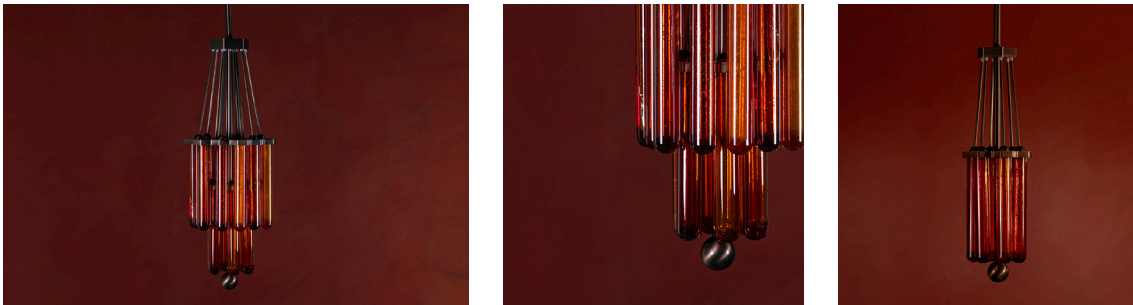


KAIA

NEKTAR

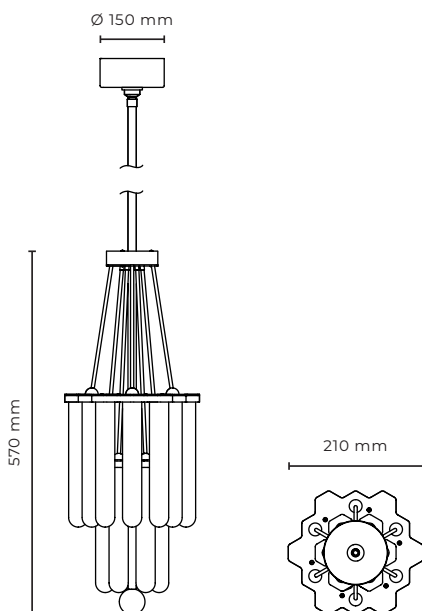
Designed by Maximilian Prüfer
Munich / Augsburg 2023



Following our HIVE installation at the Weltmuseum in Vienna with concept artist Maximilian Prüfer (an awareness campaign about the worldwide insect decline), we developed our new edition series, NEKTAR. Inspired by the timeless shapes of Viennese secessionist chandeliers, these elegant pendants of resin filled laboratory glasses which symbolise the nectar of honey bees and cast a warm inviting glow

NEKTAR

12



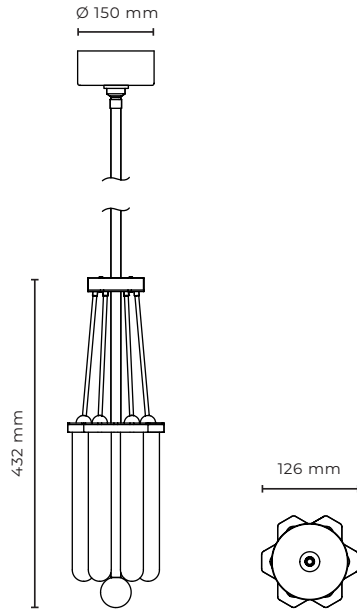
Type	Pendant light
Material	Brass & Glass
Environment	Indoors
Dimensions	570 x 210 mm / Ø 3.15 x 9.05"
Stem length	(can be customized)
Weight	6,0 Kg / 13.22 lb
Ceiling Rose	Ø 150 x 45 mm / Ø 5.90 x 1.77"
Certification	IP20 CE
Lamping	13.2W, 1080lm LED: 12x G4, Ø10mm, 30mm, 12V, 3000K, 1,1W, 90lm, Ra>80, dimnable

Standard finishes:

240 01 207	brushed, oiled and waxed brass
240 01 208	patinated brass
240 01 402	aged brass
240 01 202	brushed brass

NEKTAR

6



Type	Pendant light
Material	Brass & Glass
Environment	Indoors
Dimensions	432 x 126 mm / 17.00 x 4.96"
Stem length	(can be customized)
Weight	3,3 Kg / 7.28 lb
Ceiling Rose	Ø 150 x 45 mm / Ø 5.90 x 1.77"
Certification	IP20 CE
Lamping	6,6W, 540W LED: 6x G4, Ø10mm, 30mm, 12V, 3000K, 1,1W, 90lm, Ra>80, dimnable

Standard finishes:

240 02 207	brushed, oiled and waxed brass
240 02 208	patinated brass
240 02 402	aged brass
240 02 202	brushed brass

* Please note the glass is mouth blown. The crystal glass might have some natural imperfections which are a result of the glass manufacturing process.

** For destinations with Mediterranean climate we highly recommend a brushed and lacquered brass finish.

KAIA
kaialighting.com