



CARE INSTRUCTIONS

For dusting and light cleaning use a soft, dry cloth. For further cleaning, use a soft cloth that is firmly wrung in clean water for gently wiping the surface, and then immediately use a dry cloth to wipe the surface again. If more thorough cleaning is necessary, use a mild liquid soap dissolved in water on a firmly wrung cloth to wipe the frame. Afterwards, repeat the process with clean water as described above



For enquiries contact GUBI A/S - CVR: 17940384
Klubiensvej 7-9. 2150 Nordhavn. Copenhagen, Denmark
T +45 69 15 60 60 – order@gubi.dk
GUBI.COM

51-20-001-01 Mounting Instructions Matégot Trolley

GUBI

ASSEMBLY INSTRUCTIONS *for* MATÉGOT TROLLEY

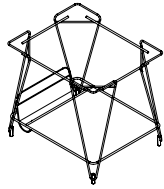


GUBI

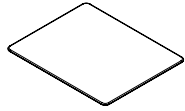
ASSEMBLY INSTRUCTIONS

CONTENTS

MATÉGOT TROLLEY



x1



x1



x4

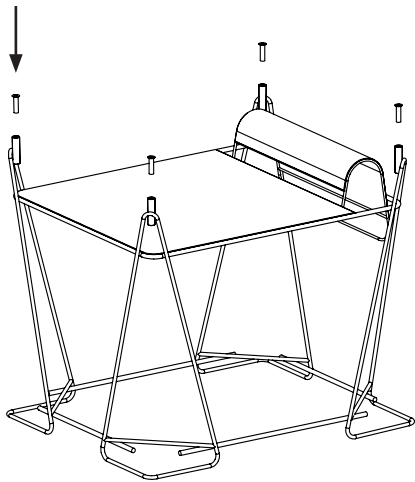


x4

1.

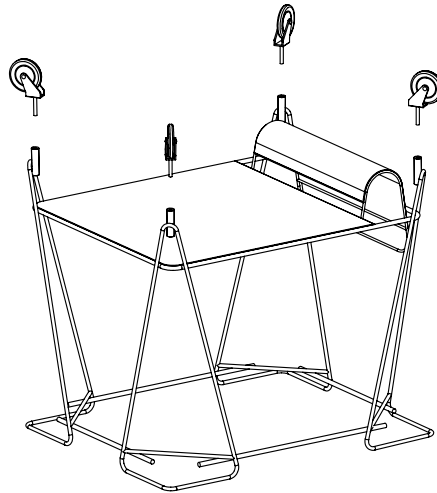
Turn the frame of the trolley upside down and place on a blanket or similar to avoid scratches.

Place the bushings in the holes in the legs and push them into the legs with a rubber hammer or similar.



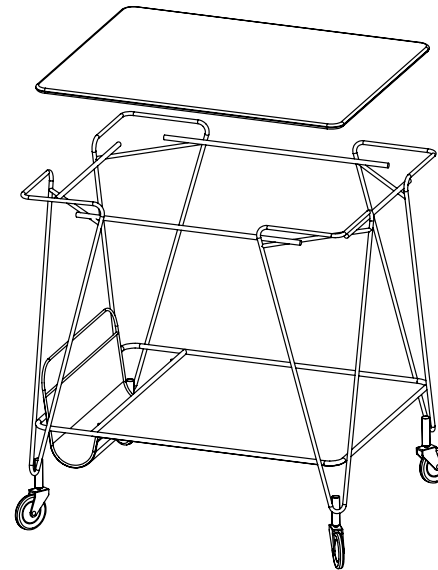
2.

After the bushings are firmly in the legs, add the wheels - the wheels are attached properly, when you hear a "click".



3.

Turn the trolley the right way up and place the tray on top.



4.

Finished trolley.

