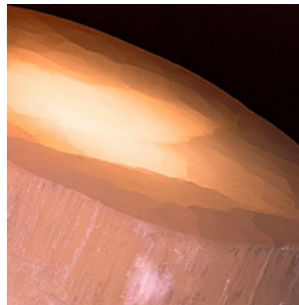


# KAIA

## TORCH

Designed by Sophie Dries  
Paris 2023

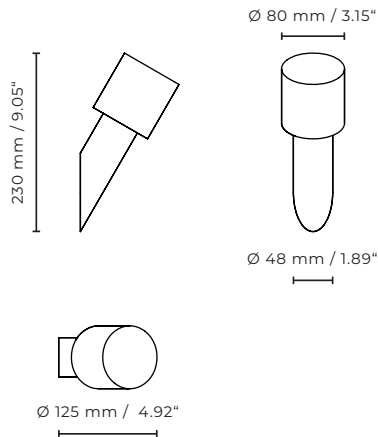
„LIGHTING THE PATH“



Inspired by primitive ancient torches, our innovative LED sconce is made from gypsum selenite, a solid bloc of mineral. This natural wonder infuses healing properties as well as it shines. The minimal shape of the patinated steel, brass or nickel column creates a timeless balance with any interior.

### TORCH

Wall



Type

Material

Environment

Dimensions

Weight

Certification

EU / US

Lamping

US Lamping

Standard finishes:

210 01 403

Wall light

Steel & Crystal

Indoors

Ø 80 x 230 mm / Ø 3.15 x 9.05"

1,7 Kg / 3.74 lb

IP20 CE

230 V / 110 V

LED: GU 10 (MR11) Ø35mm / Ø1.38"

3W, 3000K, 250lm, 230V, dimmable

LED: GU 10 (MR11) Ø35mm / Ø1.38"

3.2W 2700K, 260lm, 110V,

not dimmable

aged steel

\* Please note that the crystal is a natural product. The crystal may have some natural imperfections and also variations in diameter and height.

**KAIA**  
kaialighting.com