

### How to Install Your New Light

Please check that you received all of the components pictured in this guide. Reach out to us if anything is missing. It's very rare, but it happens. Don't forget to turn off the electrical power source.

Tools you will need that aren't included: standard wire stripper, Phillips head screwdriver.

### CAUTION

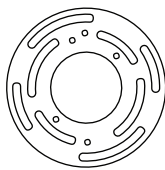
Electrical shock risk. Turn off electrical power at the main fuse box or circuit panel before beginning installation, servicing the light, or installing accessories. We recommend working with a qualified electrician familiar with the type of work you'd like done.

### ATTENTION

Risque de choc électrique. Coupez l'alimentation électrique au niveau de la boîte à fusibles principale ou du panneau de circuits avant de commencer l'installation, l'entretien de la lumière ou l'installation d'accessoires. Nous vous recommandons de travailler avec un électricien qualifié familier avec le type de travail que vous souhaitez effectuer.

---

## Contents



**Part A**  
Backplate



**Part B**  
Wago Clips (x3)



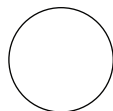
**Part C**  
Mounting Screws (x2)



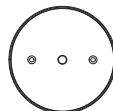
**Part D**  
Mounting Screws (x2)



**Part E**  
G9 LED Bulb



**Part F**  
Orb 5 Diffuser



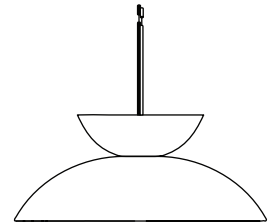
**Part G**  
Canopy Base



**Part H**  
Canopy Cover

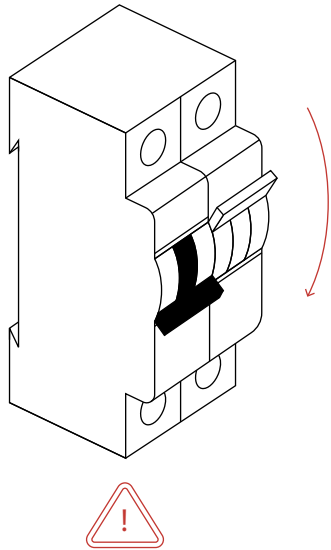


**Part I**  
Stem

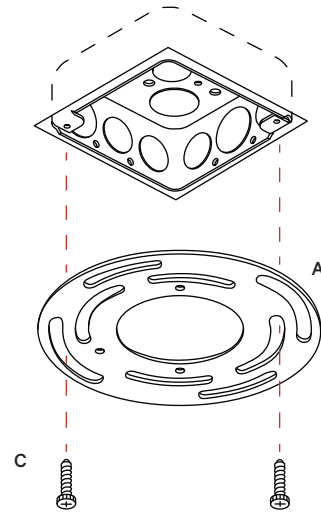


**Part J**  
Augustus Shade

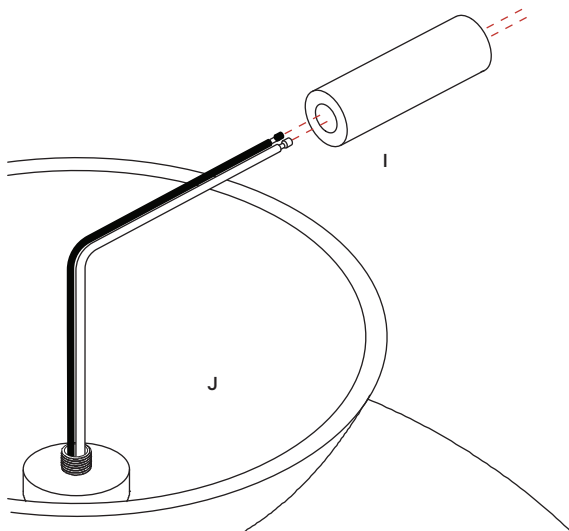
**Step 1:** Turn off electrical power at the main fuse box or circuit panel before beginning installation.



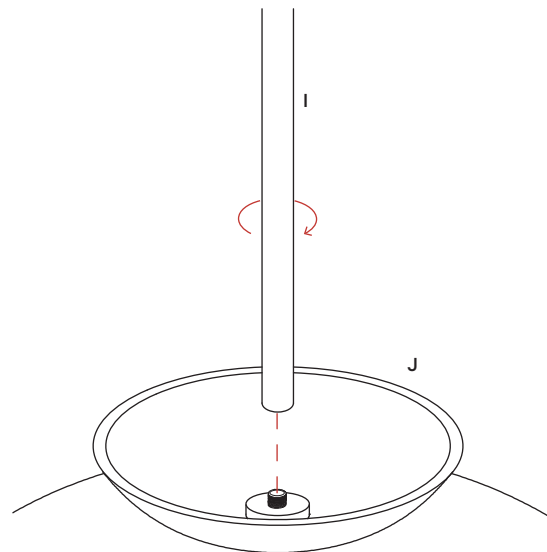
**Step 2:** Mount the backplate (A) to the junction box using a phillips head screwdriver to tighten the mounting screws (C).



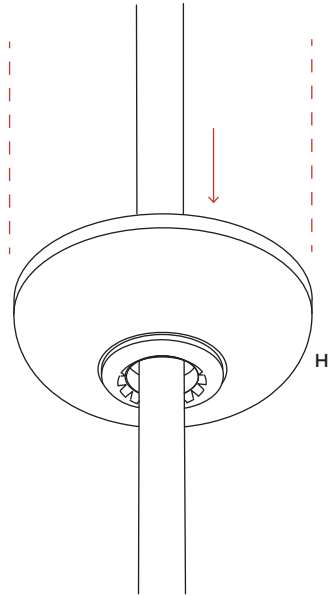
**Step 3:** Feed the wires from the shade assembly (I) through the brass stem (J) of the pendant.



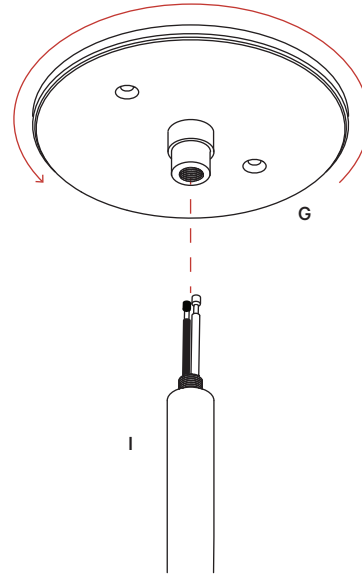
**Step 4:** Secure the stem (I) to the shade assembly (J). Rotate the stem clockwise to secure firmly in place..



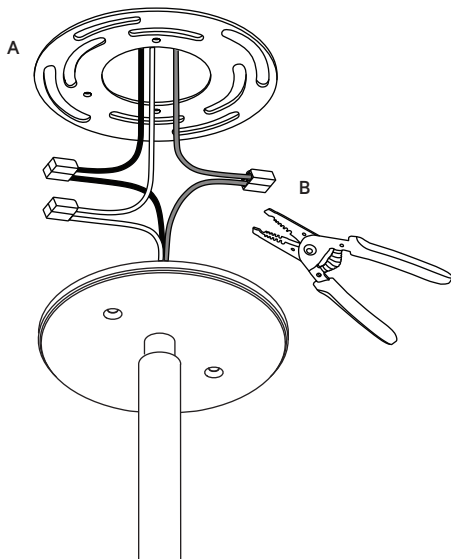
**Step 5:** Gently slide the canopy cover down the stem (H).



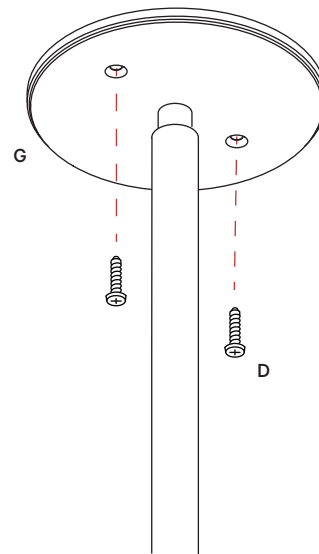
**Step 6:** Secure the brass stem (I) to the canopy base (G). Rotate the stem clockwise to secure firmly in place.



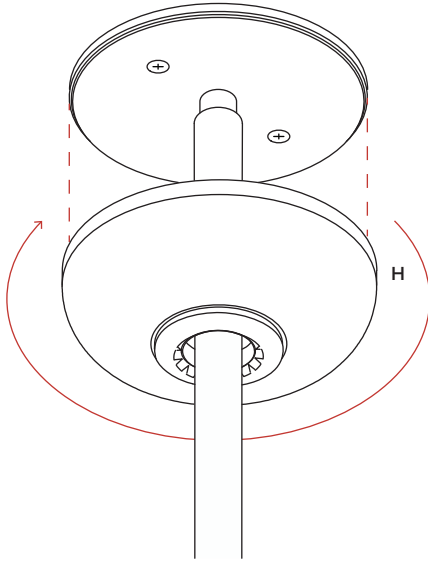
**Step 7:** Use the wago clips (B) to connect the fixture's wires to the corresponding wires from the junction box in the wall or ceiling. White is neutral; Black is live; Green/ Yellow is ground. One ground wire will be attached to the backplate (A), the other ground wire should come from the junction box. If needed use a wire stripper to remove 3/8" of the insulation from each wire before inserting them into the corresponding wago clip.



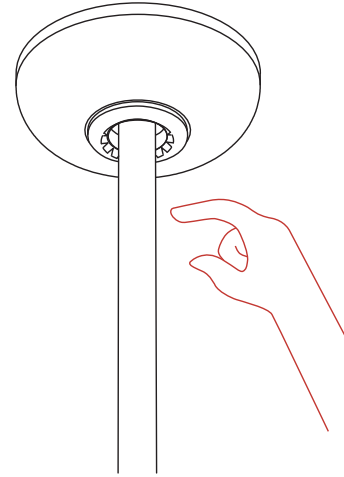
**Step 8:** Mount canopy base attached to the stem (G) into the backplate using a phillips head screwdriver to tighten mounting screws (D)



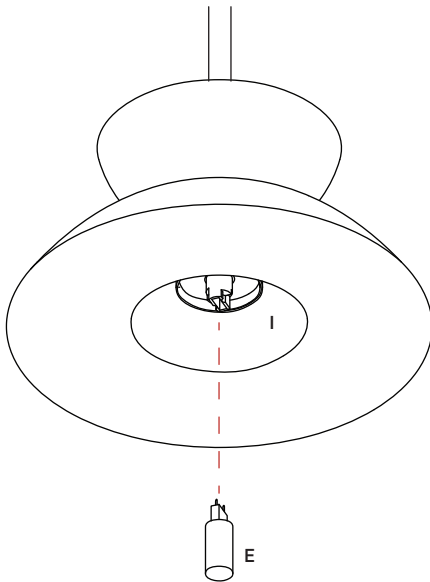
**Step 9:** Secure the canopy cover to the canopy base (H). Rotate the canopy cover clockwise to secure firmly in place.



**Step 10:** Gently squeeze the protective rubber and remove from canopy cover. Discard.



**Step 11:** Push lightbulb (E) into the socket of the shade assembly (I).



**Step 12:** Screw the diffuser (F) into the glass holder in the shade (I). Turn the power back on at the main fuse box or circuit panel you disabled before installation.

