

Multi-Lite Pendant, EU

Louis Weisdorf - 1972



ITEM NUMBER	Multi-Lite Pendant (Base: Brass, Shade: Shiny Brass)	10014449
	Multi-Lite Pendant (Base: Brass, Shade: Soft Black Semi matt)	10014446
	Multi-Lite Pendant (Base: Brass, Shade: Rose Dust Semi matt)	10014447
	Multi-Lite Pendant (Base: Chrome, Shade: White Semi matt)	10014458
	Multi-Lite Pendant (Base: Chrome, Shade: Chrome)	10014459
	Multi-Lite Pendant (Base: Brass, Shade: White Semi matt)	10014448
	Multi-Lite Pendant (Base: Brass, Shade: Midnight Blue)	10073809
	Multi-Lite Pendant (Base: Brass, Shade: Nordic Blue matt)	10014450
	Multi-Lite Pendant (Base: Brass, Shade: Sea Grey Semi matt)	10014451
	Multi-Lite Pendant (Base: Black Brass, Shade: Black Brass)	10072250
	Multi-Lite Pendant (Base: Chrome, Shade: Black Semi matt)	10014460

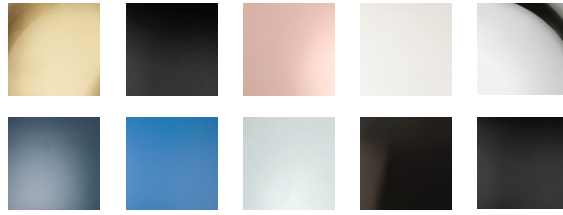
DESCRIPTION

Louis Weisdorf's contemporary and classic design philosophy is echoed in the Multi-Lite Floor Lamp. With its timeless elegance, distinctive style and unique multi-functionality, the Multi-Lite Floor Lamp brings life and character to any interior space. The Multi-Lite lamp design is created in 1972 by the Danish architect Louis Weisdorf with the aim of reflecting his passion for diversity. Due to its unique design, the two opposing outside shades can individually be rotated and transformed into multiple combinations and encourage for personal installations and expressions whenever desired. Always with Weisdorf's design philosophy in mind, the light can be directed upwards, downwards or exude an asymmetric art light without exposing the light source.

Materials & Finishes

SHADE FINISH

Shiny Brass, Soft Black Semi matt, Rose Dust semi matt, White Semi matt, Chrome, Midnight Blue, Nordic Blue matt, Sea grey semi matt, Black Brass, Black semi matt



BASE FINISH

Chrome, Brass, Black Brass



CORD SHAPE

Round

CORD COLOUR

Black textile

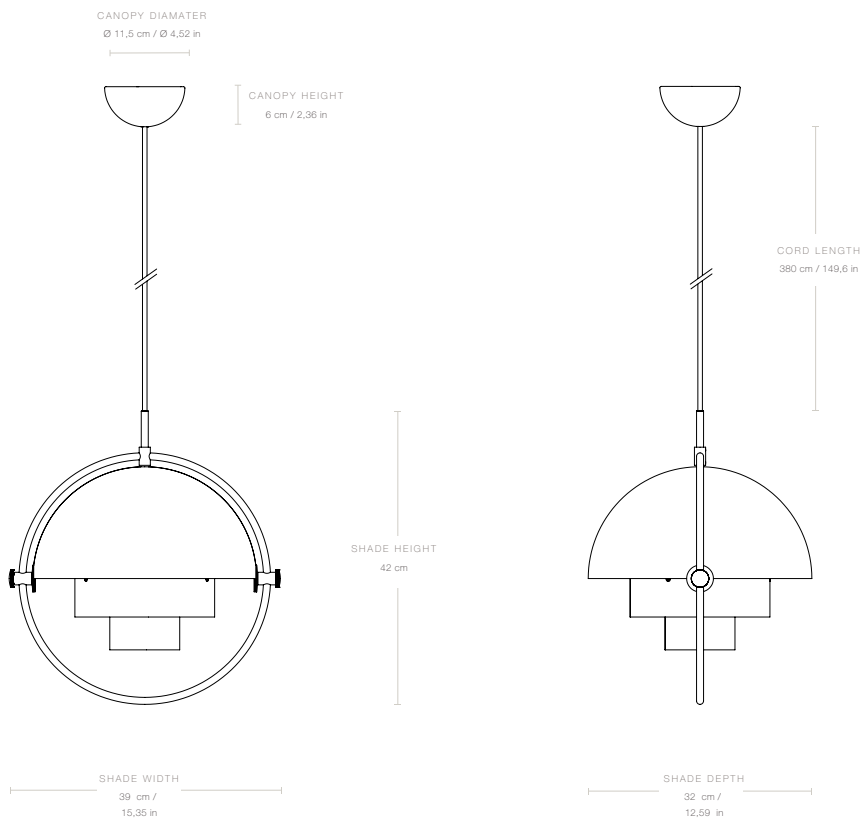
MATERIALS

Steel (Shade) Aluminum (Canopy)

CORD LENGTH

380 cm

Dimensions



LAMP DEPTH	32 cm
LAMP HEIGHT	42 cm
CANOPY HEIGHT	6 cm
CANOPY DIAMETER	Ø11,5 cm
SHADE DIAMETER	Ø32 cm
SHADE HEIGHT	42 cm
CORD LENGTH	380 cm

Weight

TOTAL WEIGHT	2,79 kg
--------------	---------

Packaging

NUMBER OF PARCELS	1
PACKAGING LENGTH	37 cm
PACKAGING WIDTH	37 cm
PACKAGING HEIGHT	51 cm
PACKAGING WEIGHT	1,69 kg
GROSS WEIGHT	4,48 kg

Electrical Specifications

BULB SOCKET	E27
RECOMMENDED BULB	810 Lumen (6W-10W LED Dimmable)
VOLTAGE	240v
BULB INCLUDED	No
PLUG TYPE	EU - Type C, 2 PIN

Test & Certifications

CERTIFICATION	  
ISOLATION CLASS	II
IP CLASSIFICATION	20

SUSTAINABILITY

Parts can be separated and sorted for recycling

KEY FEATURES

Adjustable quarter-sphere shades

Multi-Lite Pendant - Small, Black Brass base, EU

Louis Weisdorf - 1972



ITEM NUMBER

Multi-Lite Pendant - Small, Black Brass base, EU

10072258

DESCRIPTION

The small Multi-Lite Pendant embraces the golden era of Danish design with its characteristic shape of two opposing outside, mobile shades that enable creating a personal installation and a wide range of lighting values in a room. By individually rotating the shades, the Multi-Lite Pendant can be transformed into multiple combinations where the light can be directed upwards, downwards or exude an asymmetrical art light.

The Multi-Lite was first drawn in 1972 when Louis Weisdorf did an exception to his own design custom of using multiple repeating elements. Instead it reflects his passion for diversity. Two cylindrical shapes lay the foundation of the lamp and a metal ring encompasses it and anchors the two quarter-spherical shades, which ultimately completes a picture of an iconic design with multiple purposes. The Multi-Lite Pendant has a timeless expression that fits into any domestic setting.

Materials & Finishes

SHADE FINISH Black Brass



BASE FINISH Black Brass



CORD SHAPE Round

CORD COLOUR Black textile

MATERIALS Steel

Dimensions & Weight

LAMP WIDTH 27.1 cm / 10.6 in

LAMP DEPTH 25.5 cm / 10 in in

LAMP HEIGHT 28.2 cm / 11.1 in

SHADE WIDTH 22.5 cm / 8.9 in

SHADE DEPTH 22.5 cm / 8.9 in

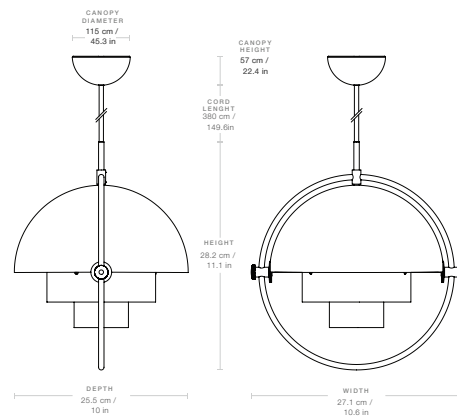
SHADE HEIGHT 19.2 cm / 7.6 in

CANOPY WIDTH 115 cm / 45.3 in

CANOPY DEPTH 115 cm / 45.3 in

CANOPY HEIGHT 57 cm / 22.4 in

CORD LENGTH 380 cm / 149.6 in



Weight

TOTAL WEIGHT 1.5 kg / 3.3 lbs

Packaging

NUMBER OF PARCELS 1

PACKAGING LENGTH 37 cm / 14.6 in

PACKAGING WIDTH 27 cm / 10.6 in

PACKAGING HEIGHT 31 cm / 12.2 in




PACKAGING WEIGHT 0.9 kg / 2 lbs

GROSS WEIGHT 2.4 kg / 5.3 lbs

Electrical Specifications

BULB SOCKET EU – E14
RECOMMENDED BULB 470 Lumen ($\leq 40W$ incandescent $\leq 30W$ halogen, ~ 5-6W LED Dimmable)
VOLTAGE 240v
BULB INCLUDED No

Test & Certifications

CERTIFICATION   
ISOLATION CLASS II
IP CLASSIFICATION 20

SUSTAINABILITY Parts can be separated and sorted for recycling

KEY FEATURES Adjustable quarter-sphere shades

Multi-Lite Pendant - Small, Brass base, EU

Louis Weisdorf - 1972



ITEM NUMBER

Multi-Lite Pendant - Small, Brass base (Shiny Brass), EU	10032993
Multi-Lite Pendant - Small, Brass base (White Semi Matt), EU	10032994
Multi-Lite Pendant - Small, Brass base (Black Semi Matt), EU	10032996
Multi-Lite Pendant - Small, Brass base (Midnight Blue), EU	10074006

DESCRIPTION

The small Multi-Lite Pendant embraces the golden era of Danish design with its characteristic shape of two opposing outside, mobile shades that enable creating a personal installation and a wide range of lighting values in a room. By individually rotating the shades, the Multi-Lite Pendant can be transformed into multiple combinations where the light can be directed upwards, downwards or exude an asymmetrical art light.

The Multi-Lite was first drawn in 1972 when Louis Weisdorf did an exception to his own design custom of using multiple repeating elements. Instead it reflects his passion for diversity. Two cylindrical shapes lay the foundation of the lamp and a metal ring encompasses it and anchors the two quarter-spherical shades, which ultimately completes a picture of an iconic design with multiple purposes. The Multi-Lite Pendant has a timeless expression that fits into any domestic setting.

Materials & Finishes

SHADE FINISH

Shiny Brass, White Semi Matt, Black Semi Matt, Midnight Blue



BASE FINISH

Brass base



CORD SHAPE

Round

CORD COLOUR

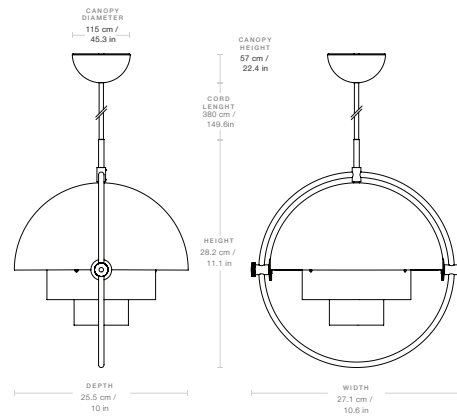
Black textile

MATERIALS

Steel

Dimensions & Weight

LAMP WIDTH	27.1 cm / 10.6 in
LAMP DEPTH	25.5 cm / 10 in in
LAMP HEIGHT	28.2 cm / 11.1 in
SHADE WIDTH	22.5 cm / 8.9 in
SHADE DEPTH	22.5 cm / 8.9 in
SHADE HEIGHT	19.2 cm / 7.6 in
CANOPY WIDTH	115 cm / 45.3 in
CANOPY DEPTH	115 cm / 45.3 in
CANOPY HEIGHT	57 cm / 22.4 in
CORD LENGTH	380 cm / 149.6 in



Weight

TOTAL WEIGHT	1.5 kg / 3.3 lbs
--------------	------------------

Packaging


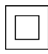

NUMBER OF PARCELS	1
PACKAGING LENGTH	37 cm / 14.6 in
PACKAGING WIDTH	27 cm / 10.6 in
PACKAGING HEIGHT	31 cm / 12.2 in
PACKAGING WEIGHT	0.9 kg / 2 lbs

GROSS WEIGHT 2.4 kg / 5.3 lbs

Electrical Specifications

BULB SOCKET EU – E14
RECOMMENDED BULB 470 Lumen (\leq 40W incandescent \leq 30W halogen, ~ 5-6W LED Dimmable)
VOLTAGE 240v
BULB INCLUDED No

Test & Certifications

CERTIFICATION   
ISOLATION CLASS II
IP CLASSIFICATION 20

SUSTAINABILITY Parts can be separated and sorted for recycling

KEY FEATURES Adjustable quarter-sphere shades.

Multi-Lite Pendant - Small, Chrome base, EU

Louis Weisdorf - 1972



ITEM NUMBER

Multi-Lite Pendant - Small, Chrome base (Chrome), EU	10029951
Multi-Lite Pendant - Small, Chrome base (Black Semi Matt), EU	10032997

DESCRIPTION

The small Multi-Lite Pendant embraces the golden era of Danish design with its characteristic shape of two opposing outside, mobile shades that enable creating a personal installation and a wide range of lighting values in a room. By individually rotating the shades, the Multi-Lite Pendant can be transformed into multiple combinations where the light can be directed upwards, downwards or exude an asymmetrical art light.

The Multi-Lite was first drawn in 1972 when Louis Weisdorf did an exception to his own design custom of using multiple repeating elements. Instead it reflects his passion for diversity. Two cylindrical shapes lay the foundation of the lamp and a metal ring encompasses it and anchors the two quarter-spherical shades, which ultimately completes a picture of an iconic design with multiple purposes. The Multi-Lite Pendant has a timeless expression that fits into any domestic setting.

Materials & Finishes

SHADE FINISH Chrome, Black Semi Matt



BASE FINISH Chrome



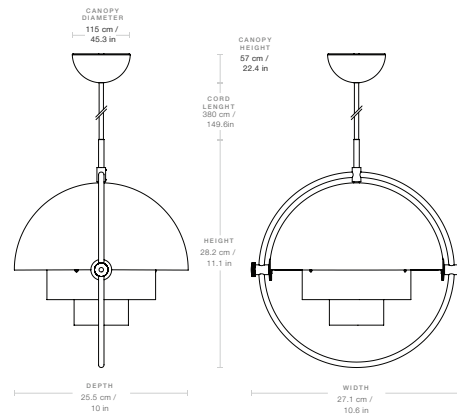
CORD SHAPE Round

CORD COLOUR Black textile

MATERIALS Steel

Dimensions & Weight

LAMP WIDTH	27.1 cm / 10.6 in
LAMP DEPTH	25.5 cm / 10 in in
LAMP HEIGHT	28.2 cm / 11.1 in
SHADE WIDTH	22.5 cm / 8.9 in
SHADE DEPTH	22.5 cm / 8.9 in
SHADE HEIGHT	19.2 cm / 7.6 in
CANOPY WIDTH	115 cm / 45.3 in
CANOPY DEPTH	115 cm / 45.3 in
CANOPY HEIGHT	57 cm / 22.4 in
CORD LENGTH	380 cm / 149.6 in



Weight

TOTAL WEIGHT 1.5 kg / 3.3 lbs

Packaging


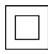

NUMBER OF PARCELS	1
PACKAGING LENGTH	37 cm / 14.6 in
PACKAGING WIDTH	27 cm / 10.6 in
PACKAGING HEIGHT	31 cm / 12.2 in
PACKAGING WEIGHT	0.9 kg / 2 lbs

GROSS WEIGHT 2.4 kg / 5.3 lbs

Electrical Specifications

BULB SOCKET EU – E14
RECOMMENDED BULB 470 Lumen (\leq 40W incandescent \leq 30W halogen, ~ 5-6W LED Dimmable)
VOLTAGE 240v
BULB INCLUDED No

Test & Certifications

CERTIFICATION   
ISOLATION CLASS II
IP CLASSIFICATION 20

SUSTAINABILITY Parts can be separated and sorted for recycling

KEY FEATURES Adjustable quarter-sphere shades

Designed by Louis Weisdorf

PRODUCT



COLORS



DESCRIPTION

The Multi-Lite was first drawn in 1972 when Louis Weisdorf did an exception to his own design custom of using multiple repeating elements. Instead it reflects his passion for diversity. The Multi-Lite pendant has two individual rotating shades and can be transformed into multiple combinations where the light can be directed upwards, downwards or exude an asymmetrical art light. The lamp is available in seven colors and all the shades are white lacquered inside.

VERSION - MULTI-LITE S PENDANT

Colour codes are indicative:

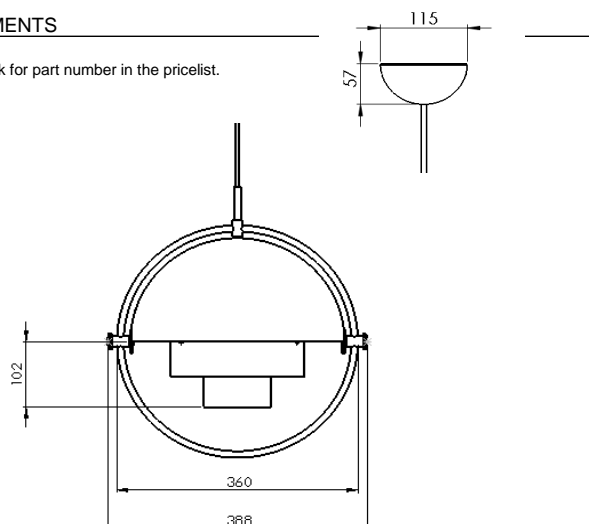
All Brass - brass colored cable
 Brass/Charcoal Black - RAL 9011 - Gloss level 5 - black cable
 Brass/White - RAL 9003 - Gloss level 15 - white cable
 Brass/Blue - RAL 250 50 25 - Gloss level 15 - brass colored cable
 Brass/Rose dust - RAL 050 60 20 - Gloss level 12 - brass colored cable
 Brass/Seagrey - RAL 160 70 05 - Gloss level 12 - brass colored cable
 All Chrome - black cable
 Chrome/Black - RAL 9005 - Gloss level 15 - black cable
 Chrome/White - RAL 9003 - Gloss level 15 - white cable

Canopy:

- Brass on brass versions
- Chrome on chrome versions

MEASUREMENTS

Order item - look for part number in the pricelist.



FACTS

MEASUREMENT - L x W x H mm

Lamp height: 360 mm

Lamp diameter: Ø360 mm

Canopy size: Ø115 x 57 mm

Wire length, exposed: Approx. 4000 mm

WEIGHT ITEM - LAMP INCL. WIRE

2700 G

PACKAGING TYPE

Cardboard box

PACKAGING MEASUREMENT - L x W x H cm

L: 38 x W: 38 x H: 51 cm

WEIGHT PACKAGING - MATERIAL TYPE (recyclable)

- Polystyrene: 272 g
- PE polybag: 25 g
- Cardboard inside: 396 g
- Cardboard outside: 1120 g

WEIGHT PACKAGING - TOTAL

1800 G

NUMBER OF PARCELS

1 pcs.

MULTI-LITE // PENDANT Ø360, EU MODEL

THE MULTI-LITE COLLECTION

Designed by Louis Weisdorf

ACCESSORIES

-

ENVIRONMENT

-

TESTS

-

CERTIFICATION AND LABELS

CE-certified

SAFETY INSTRUCTIONS

If the cord or other electrical part is damaged, switch of the lamp and do not use it until it is repaired by a qualified electrician.

INSTALLATION INSTRUCTIONS

Instructions document no. 58-20-001-01

LIGHT SOURCE:

- Socket: E27 base
- Bulb types recommended:



- Recommended light sources:

If LED is chosen, only dimmable versions work.

810 Lumen (~ 60W incandescent
~ 40-52W halogen ~ 6-10W LED)

- Max. light out put for above lamps:

1100 Lumen (~ 75W incandescent ~ 60-70W halogen)
By LED 1530 Lumen (~ 13-16W)

- Best result is achieved with frosted light bulbs
with a CRI (Colour Rendering Index) larger than 90.
- Lightbulb not included.

- All lamps can be fitted with a dimmer.
- Please contact your local electrician.

*Euro voltage: 230 V

*Frequency: 50 Hz

*Supply voltage: AC power ~

*Normally Closed: IP20



Class II / Double insulated CE-Mark



Luminaires accepted for mounting on a flammable base

