

## Carmel Coffe Table - 75x75

Designed by OEO - 2021



ITEM NUMBER	Carmel Coffee Table , 75x75 Clam White / Black Semi Matt Base	10117296
DESCRIPTION	A family of hybrid coffee tables intended for both indoor and outdoor use, the Carmel Table Collection by OEO Studio introduces ceramic to the GUBI material palette. Made with single-fired Italian stoneware and available in three sizes, the tables are finished with a protective high-gloss colored glaze that gives them vibrance and energy, evoking the carefree bohemian lifestyle of the Californian coast.	

### Materials & Finishes

TABLE TOP FINISH

Clam White

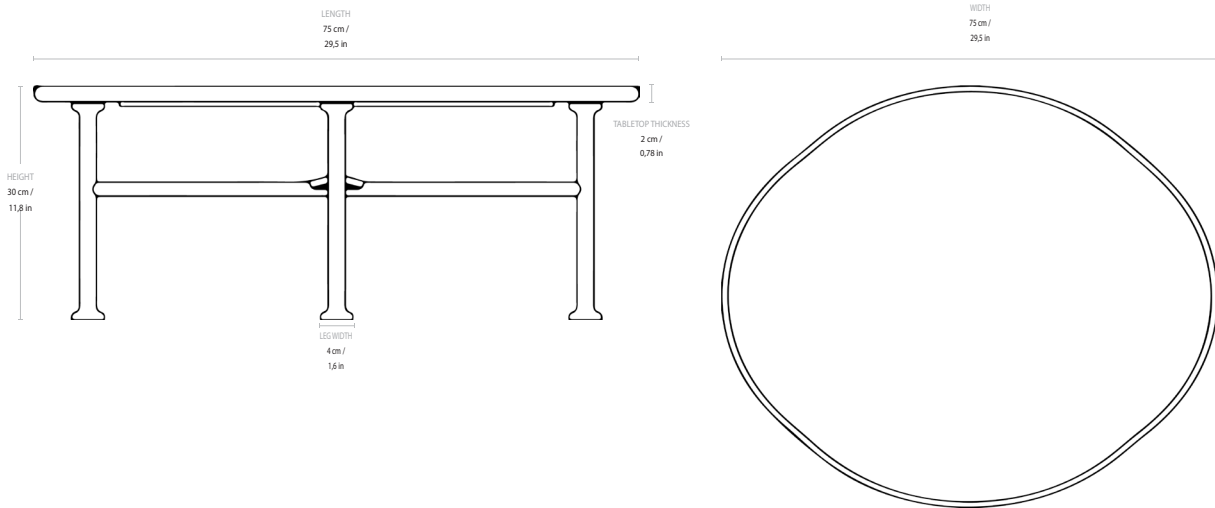


BASE FINISH

Black Semi Matt, RAL 9004



## Dimensions



WIDTH	75 cm / 29.5 in
LENGTH	75 cm / 29.5 in
HEIGHT	30 cm / 11.8 in
TABLE TOP THICKNESS	2 cm / 0.78 in
<b>DIAMETER OF COLUMN/LEG</b>	<b>2 cm / 0.78 in</b>

## Weight

TOTAL WEIGHT	26.3 kg / 58 lbs
TOTAL PRODUCT WEIGHT	16 kg / 35.2 lbs
TABLE TOP WEIGHT	14 kg / 30.8 lbs
BASE WEIGHT	2 kg / 4.4 lbs

<b>Number of parcels</b>	<b>2</b>
PACKAGING 'NAME'	BASE
PACKAGING LENGTH	83 cm / 32.6 in
PACKAGING WIDTH	56 cm / 22 in
PACKAGING HEIGHT	5 cm / 2 in
PACKAGING WEIGHT	0.8 kg / 1.7 lbs
GROSS WEIGHT	3.3 kg / 7.2lbs

PACKAGING 'NAME'	TABLETOP
PACKAGING LENGTH	83 cm / 32.7 in
PACKAGING WIDTH	83 cm / 32.7 in
PACKAGING HEIGHT	15 cm / 5.9 in
PACKAGING WEIGHT	9 kg / 19.8 lbs
GROSS WEIGHT	23 kg / 50.7 lbs

---

## Test & Certifications

SALT SPRAY TEST NSS UNI EN ISO 9227:2017

---

SUSTAINABILITY Carmel Coffee table base is shipped flat packed in a plastic-free cardboard packaging.

---

## Glides

HYBRID TOUGH RUBBER GLIDES Attached as standard

---

KEY FEATURES The table comes flatpacked and is a hybrid, which makes it usable both indoors and outdoors without.

---

## Carmel Coffe Table - 87.5x70

Designed by OEO - 2021



ITEM NUMBER	Carmel Coffee Table , 75x75 Clam White / Black Semi Matt Base	10117296
DESCRIPTION	A family of hybrid coffee tables intended for both indoor and outdoor use, the Carmel Table Collection by OEO Studio introduces ceramic to the GUBI material palette. Made with single-fired Italian stoneware and available in three sizes, the tables are finished with a protective high-gloss colored glaze that gives them vibrance and energy, evoking the carefree bohemian lifestyle of the Californian coast.	

### Materials & Finishes

TABLE TOP FINISH

Rock red , Pacific Blue

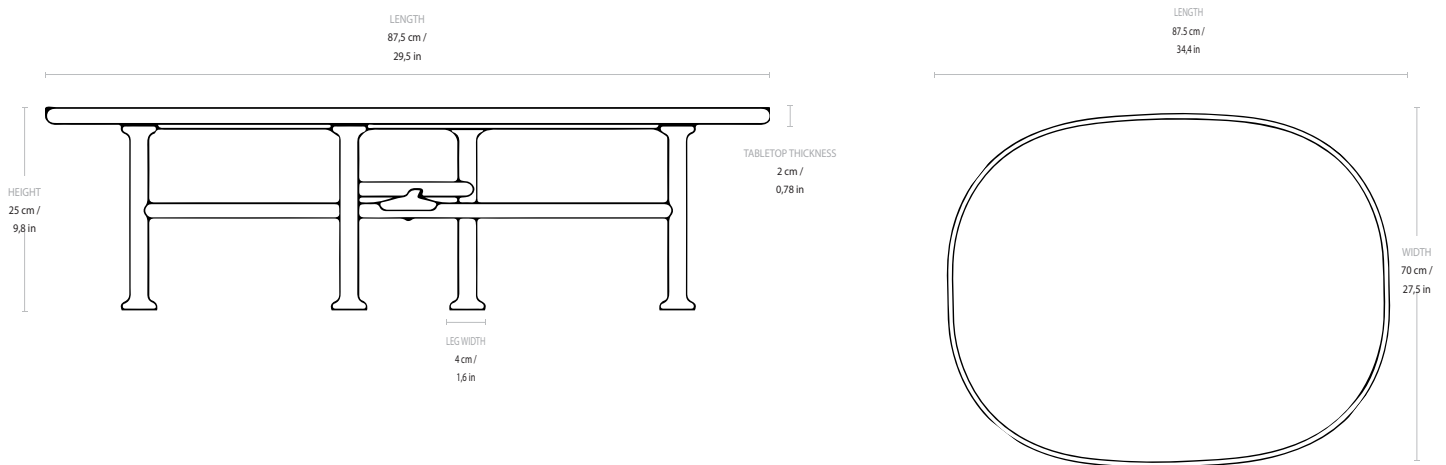


BASE FINISH

Black Semi Matt, RAL 9004



## Dimensions



WIDTH	70 cm / 27.5 in
LENGTH	87.5 cm / 34.4 in
HEIGHT	25 cm / 9.8 in
TABLE TOP THICKNESS	2 cm / 0.78 in
<b>DIAMETER OF COLUMN/LEG</b>	<b>2 cm / 0.78 in</b>

## Weight

TOTAL WEIGHT	29,3 kg / 64.6
TOTAL PRODUCT WEIGHT	18 kg / 39.7 lbs
TABLE TOP WEIGHT	16 kg / 35.3 lbs
BASE WEIGHT	2 kg / 4.4 lbs

<b>Number of parcels</b>	<b>2</b>
PACKAGING 'NAME'	BASE
PACKAGING LENGTH	83 cm / 32.6 in
PACKAGING WIDTH	56 cm / 22 in
PACKAGING HEIGHT	5 cm / 2 in
PACKAGING WEIGHT	0.8 kg / 1.7 lbs
GROSS WEIGHT	3.3 kg / 7.2lbs

PACKAGING 'NAME'	TABLETOP
PACKAGING LENGTH	95 cm / 37.4 in
PACKAGING WIDTH	78 cm / 30.7 in
PACKAGING HEIGHT	15 cm / 5.9 in
PACKAGING WEIGHT	10 kg / 22 lbs
GROSS WEIGHT	26 kg / 57.3 lbs

---

## Test & Certifications

SALT SPRAY TEST NSS UNI EN ISO 9227:2017

---

SUSTAINABILITY Carmel Coffee table base is shipped flat packed in a plastic-free cardboard packaging.

---

## Glides

HYBRID TOUGH RUBBER GLIDES Attached as standard

---

KEY FEATURES The table comes flatpacked and is a hybrid, which makes it usable both indoors and outdoors without.

---

## Carmel Coffe Table - 60x60

Designed by OEO - 2021



ITEM NUMBER	Carmel Coffee Table , 60x60 Rock Red / Black Semi Matt Base	10117296
	Carmel Coffee Table , 60x60 Pacific Blue / Black Semi Matt Base	10117297

**DESCRIPTION**

A family of hybrid coffee tables intended for both indoor and outdoor use, the Carmel Table Collection by OEO Studio introduces ceramic to the GUBI material palette. Made with single-fired Italian stoneware and available in three sizes, the tables are finished with a protective high-gloss colored glaze that gives them vibrance and energy, evoking the carefree bohemian lifestyle of the Californian coast.

### Materials & Finishes

TABLE TOP FINISH

Rock red , Pacific Blue

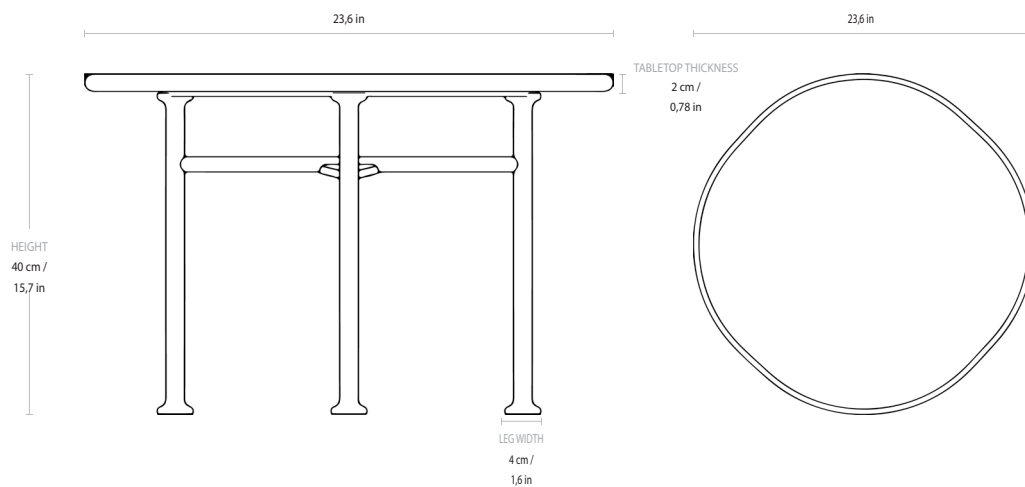


BASE FINISH

Black Semi Matt, RAL 9004



## Dimensions



WIDTH	60 cm / 23.6 in
LENGTH	60 cm / 23.6 in
HEIGHT	40 cm / 15.7 in
TABLE TOP THICKNESS	2 cm / 0.78 in
DIAMETER OF COLUMN/LEG	2 cm / 0.78 in

## Weight

TOTAL WEIGHT	15,1 kg / 33.3 lbs
TOTAL PRODUCT WEIGHT	12,8 kg / 28.2 lbs
TABLE TOP WEIGHT	10.8 kg / 23.8 lbs
BASE WEIGHT	2 kg / 4.4 lbs

## Number of parcels

PACKAGING 'NAME'	BASE
PACKAGING LENGTH	83 cm / 32.6 in
PACKAGING WIDTH	56 cm / 22 in
PACKAGING HEIGHT	5 cm / 2 in
PACKAGING WEIGHT	0.8 kg / 1.7 lbs
GROSS WEIGHT	3.3 kg / 7.2lbs



PACKAGING 'NAME'	TABLETOP
PACKAGING LENGTH	65 cm /25.6 in
PACKAGING WIDTH	65 cm / 25.6 in
PACKAGING HEIGHT	10 cm / 3.9 in
PACKAGING WEIGHT	1.5 kg / 3.3 lbs
GROSS WEIGHT	12.3 kg / 27.1 lbs

---

## Test & Certifications

SALT SPRAY TEST NSS UNI EN ISO 9227:2017

---

SUSTAINABILITY Carmel Coffee table base is shipped flat packed in a plastic-free cardboard packaging.

---

## Glides

HYBRID TOUGH RUBBER GLIDES Attached as standard

---

KEY FEATURES The table comes flatpacked and is a hybrid, which makes is usable both indoors and outdoors without.

---