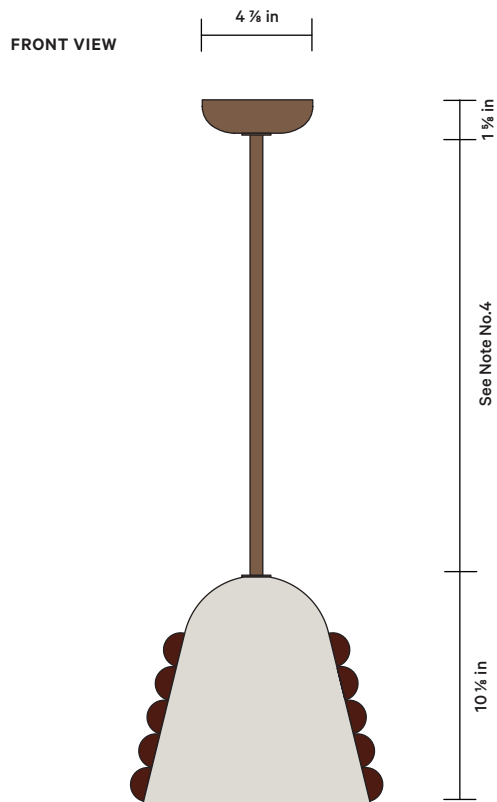


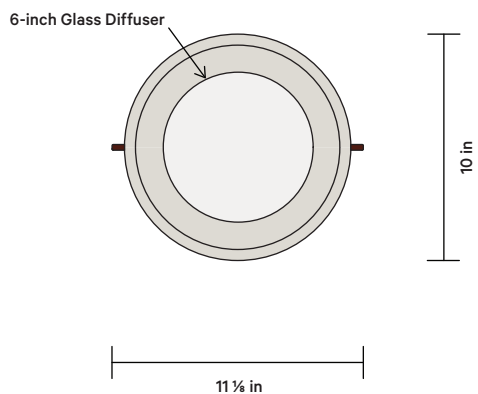
In Common With × SOPHIE LOU JACOBSEN



Calla Pendant, Medium





BOTTOM VIEW



A collaboration between In Common With and artist Sophie Lou Jacobsen, the Flora Series pairs rich colors with romantic silhouettes. Its foundational techniques yield pieces that are innately irreplicable—so, like flowers, no two will ever be the same.

DETAILS

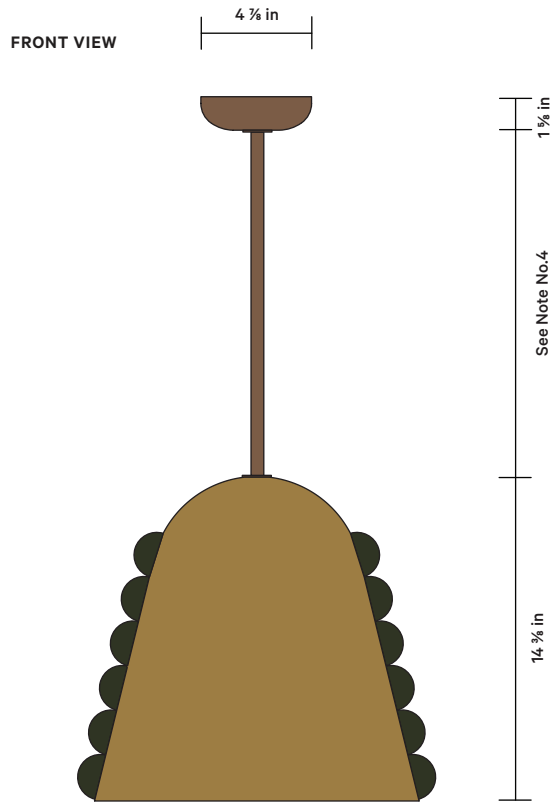
Materials	Glass, Brass
Bulbs Included	G9 / 120 V / 7.0 W / 700 lm / 2700K Dimmable
Lead Time	12 Weeks
Dimmer	TRIAC
Max Wattage	10 W
Product Weight	11 Pounds
Certifications	 

NOTES

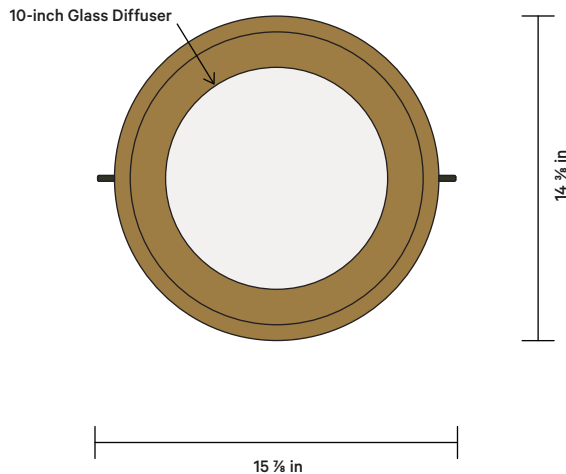
1. This fixture is made of hand-blown glass and hand-patinated brass elements and may exhibit variability within the same piece. We do our best to maintain a consistent product but honor the handmade craftsmanship.
2. The dimensions may vary within one inch.
3. This fixture is hung from a self-leveling brass canopy.
4. The stem length can not be modified during installation, and the customer must specify the overall drop length before shipping. We include a 3-foot drop length in the price. The maximum stem length is 7 feet and will be priced per inch for any size over 3 feet.

Last updated on September 15, 2022

Calla Pendant, Large





BOTTOM VIEW



A collaboration between In Common With and artist Sophie Lou Jacobsen, the Flora Series pairs rich colors with romantic silhouettes. Its foundational techniques yield pieces that are innately irreplicable—so, like flowers, no two will ever be the same.

DETAILS

Materials	Glass, Brass
Bulbs Included	E12 / 120 V / 9.5 W / 950 lm / 2700K Dimmable
Lead Time	12 Weeks
Dimmer	TRIAC
Max Wattage	10 W
Product Weight	20 Pounds
Certifications	 

NOTES

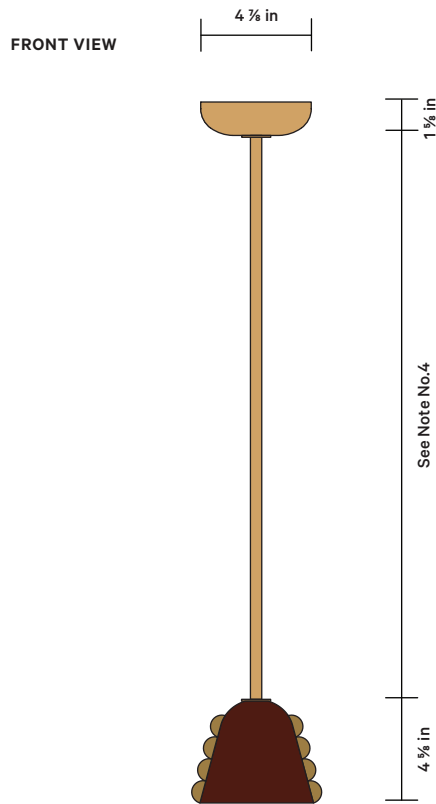
1. This fixture is made of hand-blown glass and hand-patinated brass elements and may exhibit variability within the same piece. We do our best to maintain a consistent product but honor the handmade craftsmanship.
2. The dimensions may vary within one inch.
3. This fixture is hung from a self-leveling brass canopy.
4. The stem length can not be modified during installation, and the customer must specify the overall drop length before shipping. We include a 3-foot drop length in the price. The maximum stem length is 7 feet and will be priced per inch for any size over 3 feet.

Last updated on September 15, 2022

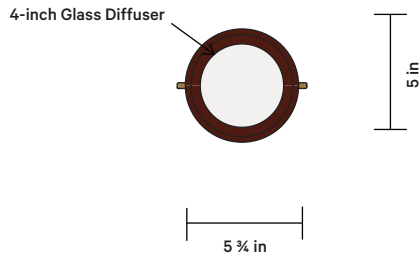
In Common With × SOPHIE LOU JACOBSEN



Calla Petite Pendant





BOTTOM VIEW



A collaboration between In Common With and artist Sophie Lou Jacobsen, the Flora Series pairs rich colors with romantic silhouettes. Its foundational techniques yield pieces that are innately irreplicable—so, like flowers, no two will ever be the same.

DETAILS

Materials	Glass, Brass
Bulbs Included	G9 / 120 V / 4.5 W / 450 lm / 2700K Dimmable
Lead Time	12 Weeks
Dimmer	TRIAC
Max Wattage	10 W
Product Weight	5 Pounds
Certifications	 

NOTES

1. This fixture is made of hand-blown glass and hand-patinated brass elements and may exhibit variability within the same piece. We do our best to maintain a consistent product but honor the handmade craftsmanship.
2. The dimensions may vary within one inch.
3. This fixture is hung from a self-leveling brass canopy.
4. The stem length can not be modified during installation, and the customer must specify the overall drop length before shipping. We include a 3-foot drop length in the price. The maximum stem length is 7 feet and will be priced per inch for any size over 3 feet.

Last updated on September 15, 2022