

Satellite Pendant - Ø22 (M), EU

Designed by Mathieu Matégot - 1953



ITEM NUMBER	Satellite Wall Lamp - Ø22 (M) (Soft Black Semi Matt)	10015188
	Satellite Wall Lamp - Ø22 (M) (Cream White Semi Matt)	10015189
	Satellite Wall Lamp - Ø22 (M) (Stone Grey Semi Matt)	10015190
	Satellite Wall Lamp - Ø22 (M) (Ruby Red Semi Matt)	10015192

DESCRIPTION

The Satellite Pendant of two sizes is designed by Mathieu Matégot in 1953 with geometrical shapes and an organic shade to create outstanding sculptural aesthetics. The name, Satellite, was given by Matégot as a wink and tribute to the scientific progress in France in the years after the Second World War. The Satellite Pendant holds the distinctive trait of Rigitulle, a technique and material invented by the designer himself that makes it possible to bend and fold the fabric-like metal sheet to an original, oblong-shaped pendant lamp.

The lampshade has five colour options; midnight black, white cloud, shy cherry, venetian gold and rainy grey, and is unique with its bulb all covered by perforated metal to exude an atmospheric light - creating a festive appearance. The interplay of light and shadow cast on walls and floors generate a dramatic feature in any dining room, hallway or restaurant. Hang the Satellite Pendant alone as a character piece or in multiples to create a cloud of luminosity.

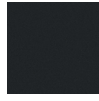
Materials & Finishes

SHADE Soft Black Semi Mat, Cream White Semi Matt, Stone Grey Semi Matt, Ruby Red Semi Matt



BASE

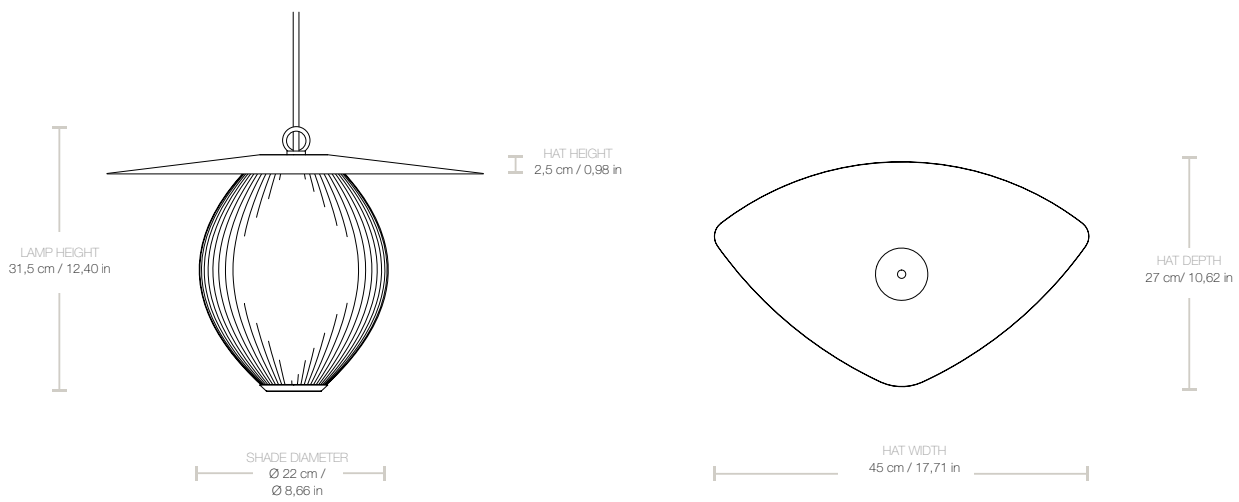
Black



MATERIALS

Steel, Metal

Dimensions



LAMP WIDTH	45 cm
LAMP DEPTH	27 cm
LAMP HEIGHT	31,5 cm
SHADE DIAMETER	Ø 22 cm
HAT WIDTH	45 cm
HAT DEPTH	27 cm
HAT HEIGHT	2,5 cm
CORD LENGTH	480 cm

Weight

TOTAL WEIGHT	1,4 kg
--------------	--------


Packaging

NUMBER OF PARCELS	1
PACKAGING LENGTH	52 cm
PACKAGING WIDTH	34 cm
PACKAGING HEIGHT	34 cm
PACKAGING WEIGHT	0,6 kg
GROSS WEIGHT	2 kg

Electrical Specifications

BULB SOCKET	E27
RECOMMENDED BULB	6W-10W LED 810 lm
VOLTAGE	240V
BULB INCLUDED	Yes

Test & Certifications

CERTIFICATION	
ISOLATION CLASS	II
IP CLASSIFICATION	20

Satellite Pendant - Ø27 (L), EU

Designed by Mathieu Matégot - 1953



ITEM NUMBER	Satellite Wall Lamp - Ø27 (L) (Soft Black Semi Matt)	10015198
	Satellite Wall Lamp - Ø27 (L) (Cream White Semi Matt)	10015199
	Satellite Wall Lamp - Ø27 (L) (Stone Grey Semi Matt)	10015200
	Satellite Wall Lamp - Ø27 (L) (Ruby Red Semi Matt)	10015202

DESCRIPTION

The Satellite Pendant of two sizes is designed by Mathieu Matégot in 1953 with geometrical shapes and an organic shade to create outstanding sculptural aesthetics. The name, Satellite, was given by Matégot as a wink and tribute to the scientific progress in France in the years after the Second World War. The Satellite Pendant holds the distinctive trait of Rigitulle, a technique and material invented by the designer himself that makes it possible to bend and fold the fabric-like metal sheet to an original, oblong-shaped pendant lamp.

The lampshade has five colour options; midnight black, white cloud, shy cherry, venetian gold and rainy grey, and is unique with its bulb all covered by perforated metal to exude an atmospheric light - creating a festive appearance. The interplay of light and shadow cast on walls and floors generate a dramatic feature in any dining room, hallway or restaurant. Hang the Satellite Pendant alone as a character piece or in multiples to create a cloud of luminosity.

Materials & Finishes

SHADE	Soft Black Semi Mat, Cream White Semi Matt, Stone Grey Semi Matt, Ruby Red Semi Matt
-------	--



BASE

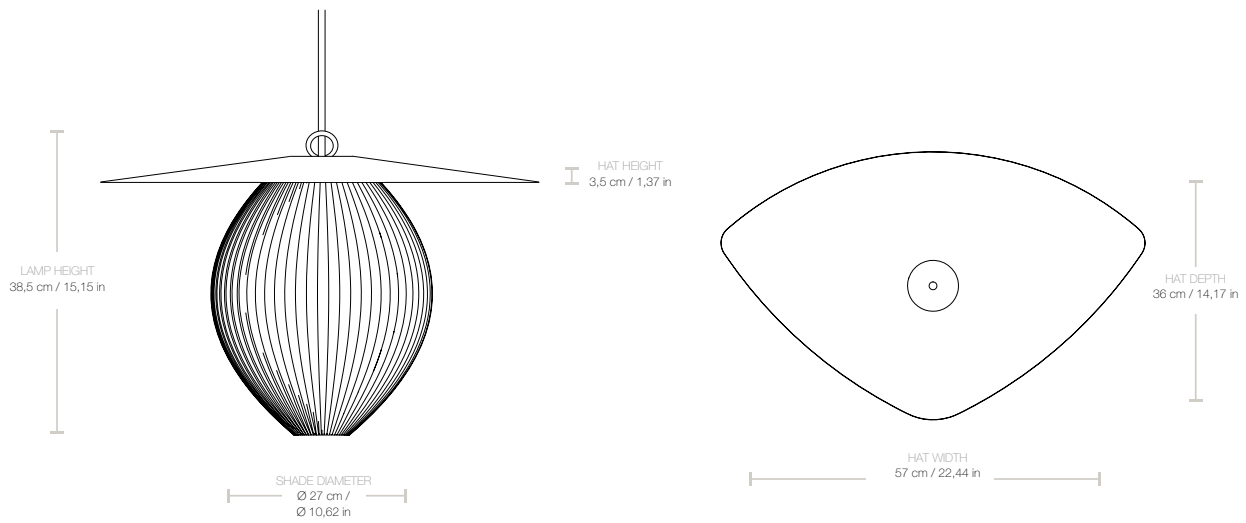
Black



MATERIALS

Steel, Metal

Dimensions



LAMP WIDTH	57 cm
LAMP DEPTH	36 cm
LAMP HEIGHT	38,5 cm
SHADE DIAMETER	Ø 27 cm
HAT WIDTH	57 cm
HAT DEPTH	36 cm
HAT HEIGHT	3,5 cm
CORD LENGTH	480 cm

Weight

TOTAL WEIGHT	2,15 kg
--------------	---------


Packaging

NUMBER OF PARCELS	1
PACKAGING LENGTH	64 cm
PACKAGING WIDTH	42 cm
PACKAGING HEIGHT	40 cm
PACKAGING WEIGHT	1 kg
GROSS WEIGHT	3,15 kg

Electrical Specifications

BULB SOCKET	E27
RECOMMENDED BULB	6W-10W LED 810 lm
VOLTAGE	240V
BULB INCLUDED	Yes

Test & Certifications

CERTIFICATION	
ISOLATION CLASS	II
IP CLASSIFICATION	20
