
Flaneur Corner module

Designed by GamFratesi - 2019



ITEM NUMBER

21599

DESCRIPTION

The traditional 'roll arm', an elegant detail uncommon in modular sofas, is given a simplified, modern expression, and its archetypical curves replaced with more minimal lines. A slender wooden frame atop metal legs is filled with generous, soft cushions, curved for a snug fit around the armrest, facilitating both seated and reclined positions. The carefully formulated combination and layering of springs, foam and feathers offer indisputable comfort, while maintaining the Flaneur Sofa's precise silhouette, emphasized by immaculate three-millimeter piping around the seat and backrest cushions. For additional comfort, optional loose cushions are also available.

Designed around an array of modules, the Flaneur Sofa reflects the growing demand for modular furniture in increasingly dynamic interior spaces, without compromising on appearance or comfort. The flexibility of the system offers infinite possibilities yet its low expression and rounded form ensure it does not resemble a typical Northern European modular sofa.

Materials & Finishes

BASE FINISH

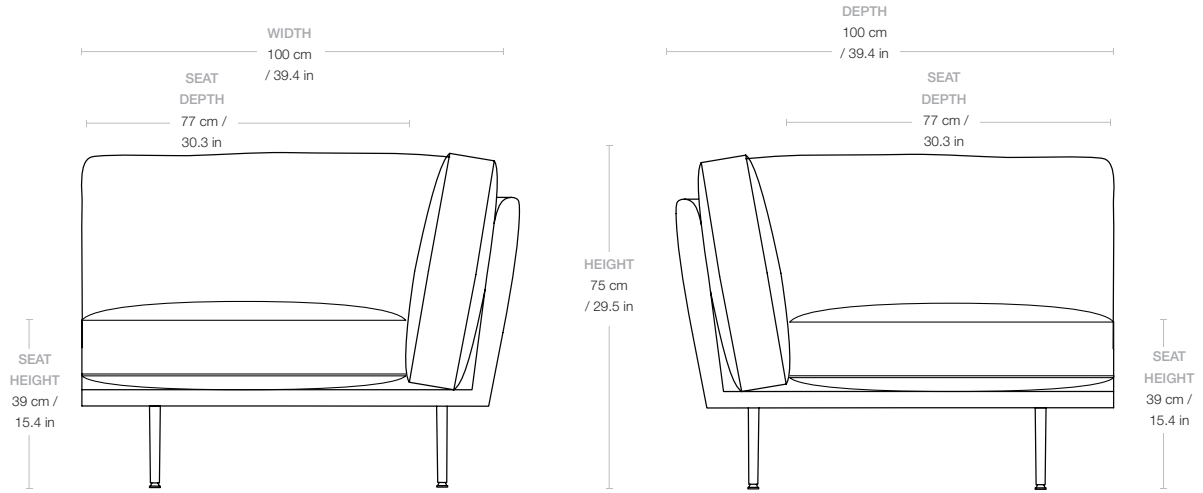
Black Matt Base (RAL 9005 - gloss 3-5), Antique Brass Base (Matt).



MATERIALS

Powder coated or plated steel legs, Wooden frame, nozag springs, polyurethane foam, feathers, fabric or leather upholstery

Dimensions



WIDTH	100 cm
DEPTH	100 cm
HEIGHT	75 cm
SEAT DEPTH	77 cm
SEAT HEIGHT	39 cm

Weight

TOTAL WEIGHT	37 kg
---------------------	-------

Upholstery Consumption

FABRIC CONSUMPTION	720 cm (x140 cm fabric width) / 283.5 in (x55 in fabric width)
---------------------------	--

Packaging

NUMBER OF PARCELS	1
PACKAGING LENGTH	110 cm / 43.3 in
PACKAGING WIDTH	110 cm / 43.3 in
PACKAGING HEIGHT	46 cm / 18.1 in
PACKAGING WEIGHT	5 kg / 11.0 lbs
GROSS WEIGHT	42 kg / 12.1 lbs

Test & Certifications

TSCA	yes, US only
CALIFORNIA TB 117	yes
BS 5852 (CRIB 5)	yes, UK only

Spare Part	Item	Item Number
	Flaneur , Assembly kit w. connector and screws	30472
	Flaneur Leg	30468

Glides

PLASTIC GLIDES	Included as standard
-----------------------	----------------------

KEY FEATURES	Part of a modular collection Available with all removable covers
---------------------	---

Flaneur module - 2 seater with left/right armrest or without armrests

Designed by GamFratesi - 2019



ITEM NUMBER

21620 Flaneur Module - 2-seater with left armrest

21623 Flaneur Module - 2-seater with right armrest

21624 Flaneur Module - 2-seater without armrests

DESCRIPTION

The traditional 'roll arm', an elegant detail uncommon in modular sofas, is given a simplified, modern expression, and its archetypical curves replaced with more minimal lines. A slender wooden frame atop metal legs is filled with generous, soft cushions, curved for a snug fit around the armrest, facilitating both seated and reclined positions. The carefully formulated combination and layering of springs, foam and feathers offer indisputable comfort, while maintaining the Flaneur Sofa's precise silhouette, emphasized by immaculate three-millimeter piping around the seat and backrest cushions. For additional comfort, optional loose cushions are also available.

Designed around an array of modules, the Flaneur Sofa reflects the growing demand for modular furniture in increasingly dynamic interior spaces, without compromising on appearance or comfort. The flexibility of the system offers infinite possibilities yet its low expression and rounded form ensure it does not resemble a typical Northern European modular sofa.

Materials & Finishes

BASE FINISH

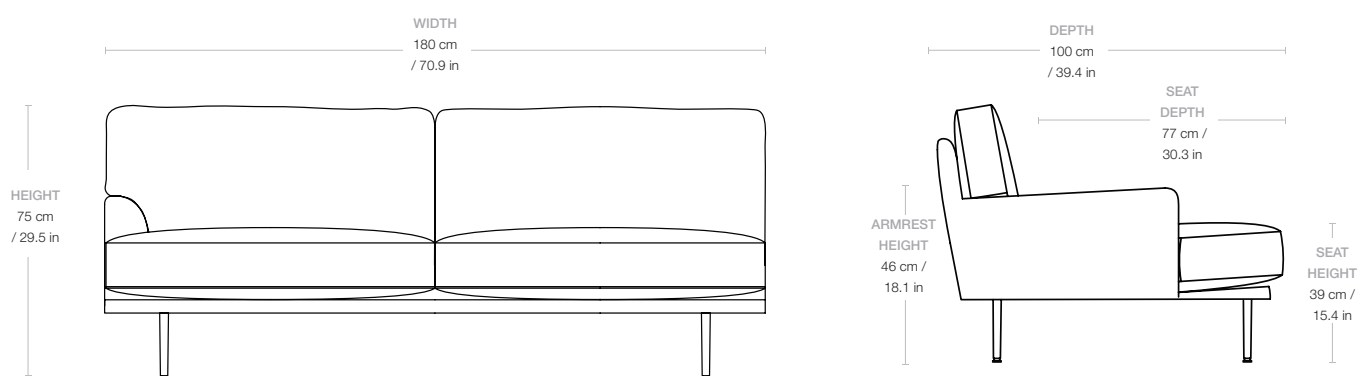
Black Matt Base (RAL 9005 - gloss 3-5), Antique Brass Base (Matt).



MATERIALS

Powder coated or brass plated steel legs, Wooden frame, nozag springs, polyurethane foam, feathers, fabric or leather upholstery

Dimensions



WIDTH	180 cm / 70.9 in
DEPTH	100 cm / 39.4 in
HEIGHT	75 cm / 29.5 in
SEAT DEPTH	77 cm / 30.3 in
SEAT HEIGHT	39 cm / 15.4 in
(ARMREST HEIGHT)	46 cm / 18.1 in

Weight

TOTAL WEIGHT	72 kg / 158.7 lbs
---------------------	-------------------

Upholstery Consumption

FABRIC CONSUMPTION

2-seater with left/right armrest 980 cm (x140 cm fabric width) / 385.8 in (x55 in fabric width)

2-seater without armrests 920 cm (x140 cm fabric width) / 362.2 in (x55 in fabric width)

Packaging

NUMBER OF PARCELS	1
PACKAGING LENGTH	184 cm / 72.4 in
PACKAGING WIDTH	110 cm / 43.3 in
PACKAGING HEIGHT	46 cm / 18.1 in
PACKAGING WEIGHT	5 kg / 11.0 lbs
GROSS WEIGHT	77 kg / 169.8 lbs

Test & Certifications

TSCA	yes, US only
CALIFORNIA TB 117	yes
BS 5852 (CRIB 5)	yes, UK only

Spare Part	Item	Item Number
	Flaneur , Assembly kit w. connector and screws	30472
	Flaneur Leg	30468

Glides

PLASTIC GLIDES	Included as standard
-----------------------	----------------------

KEY FEATURES	Part of a modular collection
	Available with all removable covers

Flaneur module - 3 seater with left/right armrest or without armrests

Designed by GamFratesi - 2019



ITEM NUMBER

21627 Flaneur Module - 3-seater with left armrest

21630 Flaneur Module - 3-seater with right armrest

21631 Flaneur Module - 3-seater without armrests

DESCRIPTION

The traditional 'roll arm', an elegant detail uncommon in modular sofas, is given a simplified, modern expression, and its archetypical curves replaced with more minimal lines. A slender wooden frame atop metal legs is filled with generous, soft cushions, curved for a snug fit around the armrest, facilitating both seated and reclined positions. The carefully formulated combination and layering of springs, foam and feathers offer indisputable comfort, while maintaining the Flaneur Sofa's precise silhouette, emphasized by immaculate three-millimeter piping around the seat and backrest cushions. For additional comfort, optional loose cushions are also available.

Designed around an array of modules, the Flaneur Sofa reflects the growing demand for modular furniture in increasingly dynamic interior spaces, without compromising on appearance or comfort. The flexibility of the system offers infinite possibilities yet its low expression and rounded form ensure it does not resemble a typical Northern European modular sofa.

Materials & Finishes

BASE FINISH

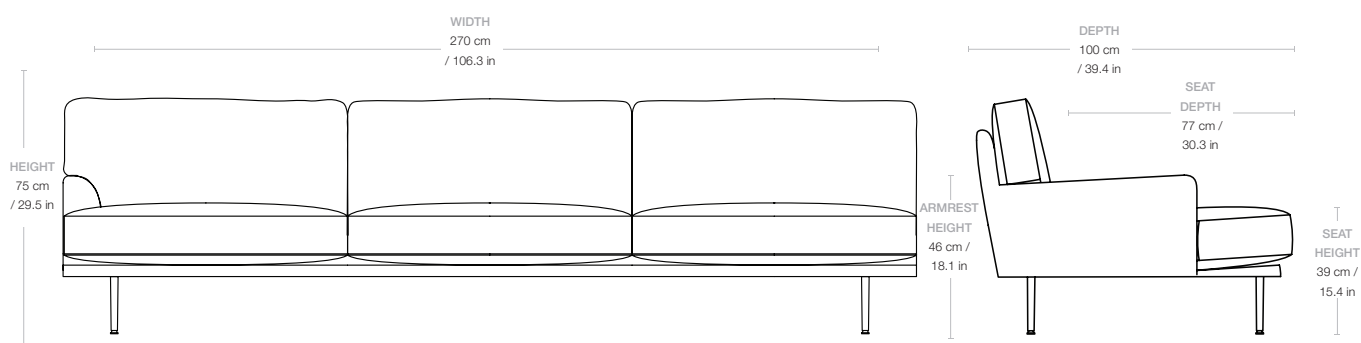
Black Matt Base (RAL 9005 - gloss 3-5), Antique Brass Base (Matt).



MATERIALS

Powder coated or brass plated steel legs, Wooden frame, nozag springs, polyurethane foam, feathers, fabric or leather upholstery

Dimensions



WIDTH	270 cm / 106.3 in
DEPTH	100 cm / 39.4 in
HEIGHT	75 cm / 29.5 in
SEAT DEPTH	77 cm / 30.3 in
SEAT HEIGHT	39 cm / 15.4 in
(ARMREST HEIGHT)	46 cm / 18.1 in

Weight

TOTAL WEIGHT	108 kg / 238.1 lbs
---------------------	--------------------

Upholstery Consumption

FABRIC CONSUMPTION

3-seater with left/right armrest	1460 cm (x140 cm fabric width) / 574.8 in (x55 in fabric width)
3-seater without armrests	1340 cm (x140 cm fabric width) / 527.6 in (x55 in fabric width)

Packaging

NUMBER OF PARCELS	1
PACKAGING LENGTH	276 cm / 108.7 in
PACKAGING WIDTH	110 cm / 43.3 in
PACKAGING HEIGHT	46 cm / 18.1 in
PACKAGING WEIGHT	7 kg / 15.4 lbs
GROSS WEIGHT	115 kg / 253.5 lbs

Test & Certifications

TSCA	yes, US only
CALIFORNIA TB 117	yes
BS 5852 (CRIB 5)	yes, UK only

Spare Part	Item	Item Number
	Flaneur , Assembly kit w. connector and screws	30472
	Flaneur Leg	30468

Glides

PLASTIC GLIDES	Included as standard
-----------------------	----------------------

KEY FEATURES	Part of a modular collection Available with all removable covers
---------------------	---

Flaneur module - chaise longue with left/right armrest

Designed by GamFratesi - 2019



ITEM NUMBER

21636 Flaneur Module - Chaise Longue with left armrest

21639 Flaneur Module - Chaise Longue with right armrest

DESCRIPTION

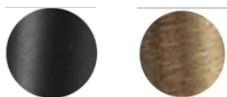
The traditional 'roll arm', an elegant detail uncommon in modular sofas, is given a simplified, modern expression, and its archetypical curves replaced with more minimal lines. A slender wooden frame atop metal legs is filled with generous, soft cushions, curved for a snug fit around the armrest, facilitating both seated and reclined positions. The carefully formulated combination and layering of springs, foam and feathers offer indisputable comfort, while maintaining the Flaneur Sofa's precise silhouette, emphasized by immaculate three-millimeter piping around the seat and backrest cushions. For additional comfort, optional loose cushions are also available.

Designed around an array of modules, the Flaneur Sofa reflects the growing demand for modular furniture in increasingly dynamic interior spaces, without compromising on appearance or comfort. The flexibility of the system offers infinite possibilities yet its low expression and rounded form ensure it does not resemble a typical Northern European modular sofa.

Materials & Finishes

BASE FINISH

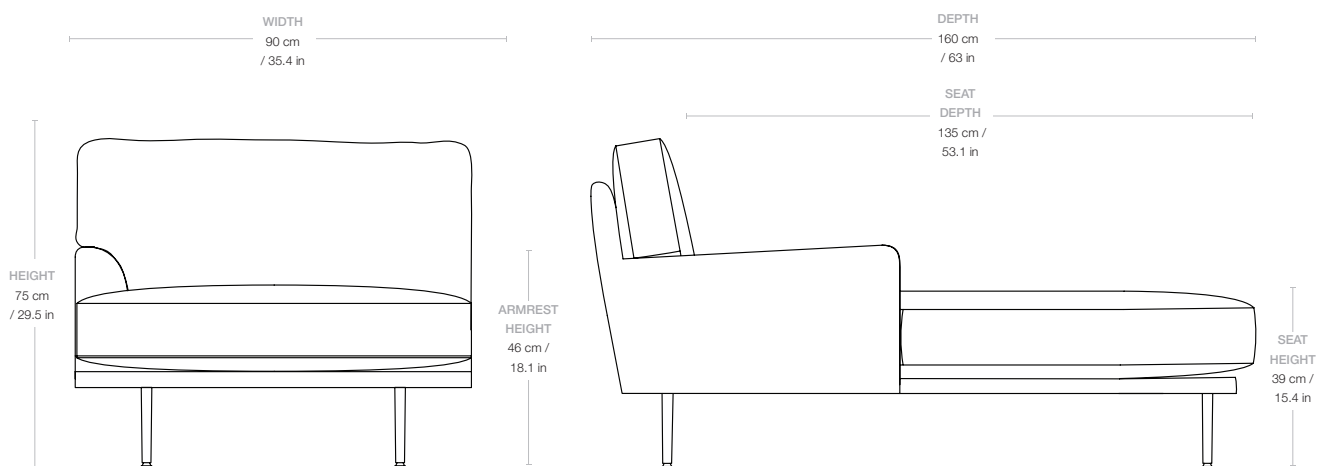
Black Matt Base (RAL 9005 - gloss 3-5), Antique Brass Base (Matt).



MATERIALS

Powder coated or brass plated steel legs, Wooden frame, nozag springs, polyurethane foam, feathers, fabric or leather upholstery

Dimensions



WIDTH	90 cm / 35.4 in
DEPTH	160 cm / 63 in
HEIGHT	75 cm / 29.5 in
SEAT DEPTH	135 cm / 53.1 in
SEAT HEIGHT	39 cm / 15.4 in
ARMREST HEIGHT	46 cm / 18.1 in

Weight

TOTAL WEIGHT	55 kg / 121.3 lbs
---------------------	-------------------

Upholstery Consumption

FABRIC CONSUMPTION 670 cm (x140 cm fabric width) / 263.8 in (x55 in fabric width)

Packaging

NUMBER OF PARCELS 1
PACKAGING LENGTH 160 cm / 63 in
PACKAGING WIDTH 96 cm / 37.8 in
PACKAGING HEIGHT 46 cm / 18.1 in
PACKAGING WEIGHT 5 kg / 11.1 lbs
GROSS WEIGHT 60 kg / 132.3 lbs

Test & Certifications

TSCA yes, US only
CALIFORNIA TB 117 yes
BS 5852 (CRIB 5) yes, UK only

Spare Part	Item	Item Number
	Flaneur , Assembly kit w. connector and screws	30472
	Flaneur Leg	30468

Glides

PLASTIC GLIDES Included as standard

KEY FEATURES Part of a modular collection
Available with all removable covers