

---

## Bat Meeting Chair - 4 legs w. castors - With Cushion

Designed by GamFratesi - 2018

---



---

**ITEM NUMBER**

11556

**DESCRIPTION**

The Bat Meeting Chair fulfils the natural balance between corporate necessity and formal elegance. While the base embodies clean design with great functionality, the fully moulded seat with armrest ensures high level of comfort. The features are paired and provide a sophisticated expression to any meeting room or home office

---

### Materials & Finishes

**BASE FINISH**

Black



**SHELL COLOR**

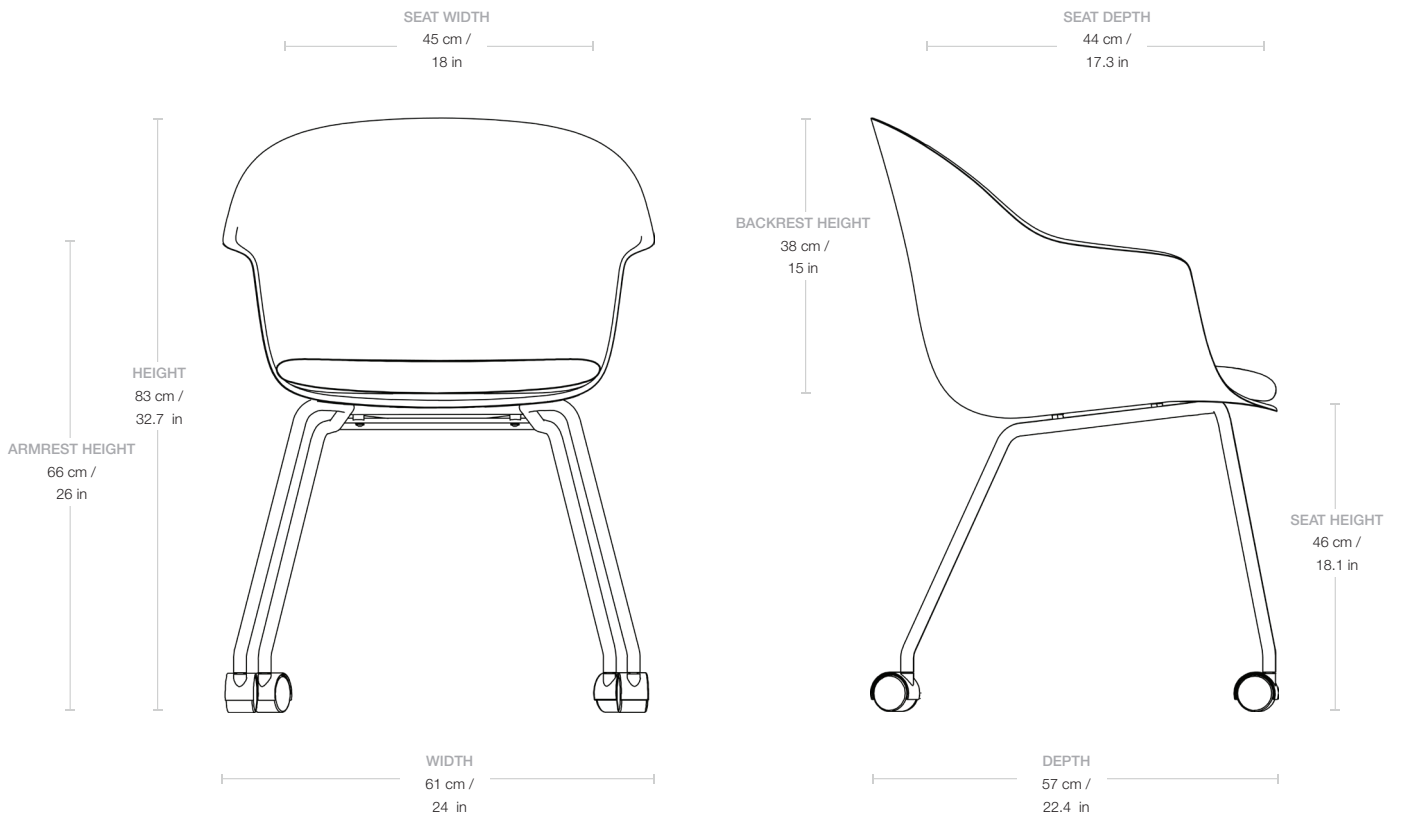
Black, Green, Dark Pink, New Beige, Grey Blue, Sweet Pink, Pure White, Alabaster White



**MATERIALS**

Steel, PP, CMHR foam, fabric or leather upholstery

**Dimensions**



<b>WIDTH</b>	61 cm / 24 in
<b>DEPTH</b>	57 cm / 22.4 in
<b>HEIGHT</b>	83 cm / 32.6 in
<b>SEAT WIDTH</b>	45 cm / 18 in
<b>SEAT DEPTH</b>	44 cm / 17.3 in
<b>SEAT HEIGHT</b>	46 cm / 18.1 in
<b>BACKREST HEIGHT</b>	38 cm / 15 in
<b>ARMREST HEIGHT</b>	66 cm / 26 in

## Weight

<b>TOTAL WEIGHT</b>	6.6 kg / 15 lbs
<b>LEGS WEIGHT</b>	2.6 kg / 5.7 lbs
<b>SHELL WEIGHT</b>	4 kg / 9 lbs

---

## Upholstery Consumption

### FABRIC

**X 140 CM FABRIC WIDTH / X 55 IN FABRIC WIDTH**

<b>SEAT UPHOLSTERED</b>	62 cm / 24.4 in
-------------------------	-----------------

---

## Packaging

<b>NUMBER OF PARCELS</b>	1
<b>PACKAGING LENGTH</b>	66 cm / 26 in
<b>PACKAGING WIDTH</b>	63 cm / 25 in
<b>PACKAGING HEIGHT</b>	94 cm / 37 in
<b>PACKAGING WEIGHT</b>	2.6 kg / 5.7 lbs
<b>GROSS WEIGHT</b>	9.2 kg / 4 lbs

---

## Test & Certifications

<b>CAL 117</b>	Yes
<b>BS5852</b>	Available on request
<b>CRIB 5</b>	Available on request

---

<b>SUSTAINABILITY</b>	Parts can be separated and sorted for recycling Bat shells are made of 100% recyclable PP
-----------------------	---

---

<b>KEY FEATURES</b>	The Bat meeting chair is available fully upholstered, front upholstered, seat upholstered and unupholstered and with a variety of diferent bases
---------------------	--

---

---

## Bat Meeting Chair - Fully Upholstered, Height adjustable 4-star base w. castors

Designed by GamFratesi - 2018

---



---

ITEM NUMBER

61371

DESCRIPTION

The Bat Chair was created with a Scandinavian approach to craft, simplicity and functionalism by Danish-Italian design-duo GamFratesi. The embracing shell with armrests equally embodies both aesthetics and comfort while carrying strong references to the interesting and distinctive shape of a bat's wingspan. Now, the addition of a pneumatic height-adjustment cylinder to the 4-star meeting chair's base makes it able to adapt to the diverse needs of the modern workplace, whether that be at home, an office, or somewhere in between.

---

### Materials & Finishes

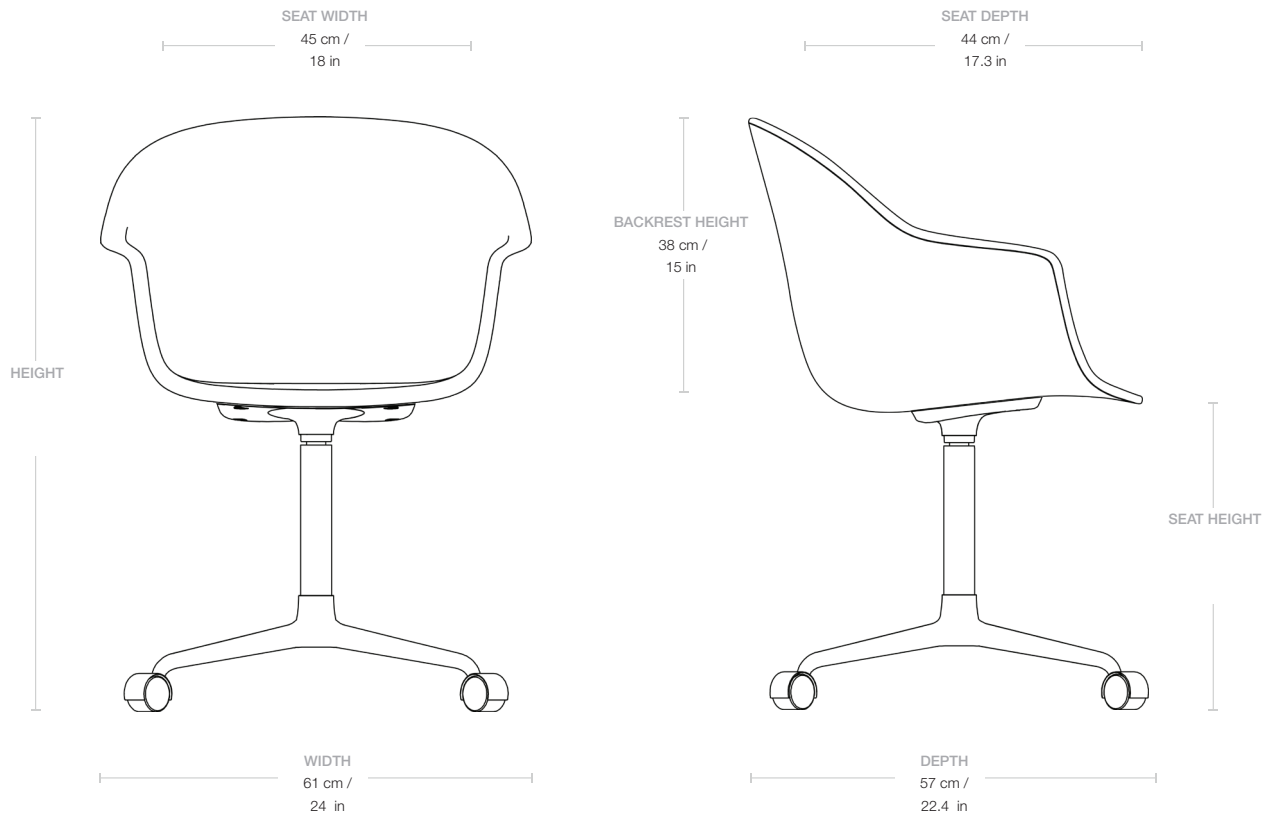
BASE FINISH

Black



---

## Dimensions



WIDTH	61 cm / 24 in
DEPTH	57 cm / 22.4 in
HEIGHT	77-88,5 cm / 30,3-34,8 in
SEAT WIDTH	41 cm / 16 in
SEAT DEPTH	44 cm / 17.3 in
SEAT HEIGHT	40-51,5 cm / 15,7-20,3 in
BACKREST HEIGHT	38 cm / 15 in

---

## Weight

TOTAL WEIGHT	11,9 kg / 26,2 lbs
SHELL WEIGHT	6.6 kg / 14.5 lbs

---

## Upholstery Consumption

FABRIC

X 140 CM FABRIC WIDTH / X 55 IN FABRIC WIDTH

FULLY UPHOLSTERED, SAME PIPING	194 cm / 76.3 in
FULLY UPHOLSTERED, DIFFERENT PIPING	164 cm / 64.6 in
PIPING	29 cm / 11.4 in
FRONT UPHOLSTERED	126 cm / 50 in
BACK UPHOLSTERED	128 cm / 50.4 in

#### LEATHER

FULLY UPHOLSTERED, SAME PIPING	3.1 m <sup>2</sup> / 33.4 ft <sup>2</sup>
FULLY UPHOLSTERED DIFFERENT PIPING	2.81 m <sup>2</sup> / 30.2 ft <sup>2</sup>
PIPING	0.22 m <sup>2</sup> / 2.4 ft <sup>2</sup>
FRONT UPHOLSTERED	1.59 m <sup>2</sup> / 17 ft <sup>2</sup>
BACK UPHOLSTERED	1.28 m <sup>2</sup> / 14 ft <sup>2</sup>

---

### Packaging

NUMBER OF PARCELS	1
PACKAGING LENGTH	66 cm / 26 in
PACKAGING WIDTH	63 cm / 25 in
PACKAGING HEIGHT	94 cm / 37 in
PACKAGING WEIGHT	2.6 kg / 5.7 lbs
GROSS WEIGHT	14,5 kg / 32 lbs

---

### Test & Certifications

CALIFORNIA 117	Yes, US only
BS 5852- CIGARETTE & MATCH	Available on request
BS 5852 - CRIB 5	Available on request

---

SUSTAINABILITY	Parts can be separated and sorted for recycling Bat shells are made of 100% recyclable PP
----------------	---

---

KEY FEATURES	The Bat meeting chair is available fully upholstered, front upholstered, seat upholstered and unupholstered and with a variety of diferent basess
--------------	---

---



---

## Bat Meeting Chair - Swivel base - With Cushion

Designed by GamFratesi - 2018

---



---

**ITEM NUMBER**

11559

**DESCRIPTION**

The Bat Meeting Chair fulfils the natural balance between corporate necessity and formal elegance. While the base embodies clean design with great functionality, the fully moulded seat with armrest ensures high level of comfort. The features are paired and provide a sophisticated expression to any meeting room or home office.

---

### Materials & Finishes

**BASE FINISH**

Black, Brass





**SHELL COLOR**

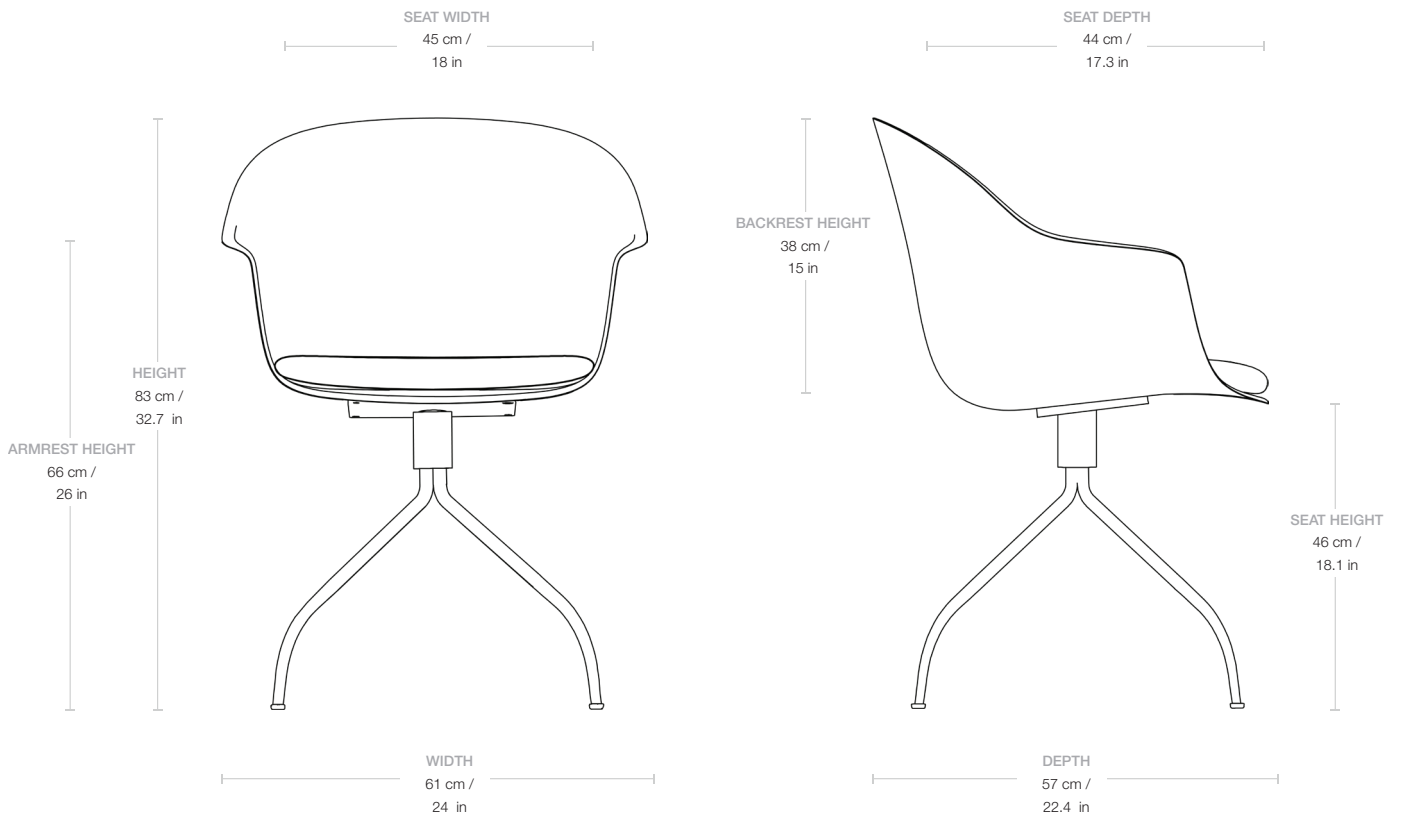
Black, Green, Dark Pink, New Beige, Grey Blue, Sweet Pink, Pure White, Alabaster White



**MATERIALS**

Steel, PP, CMHR foam, fabric or leather upholstery

**Dimensions**



<b>WIDTH</b>	61 cm / 24 in
<b>DEPTH</b>	57 cm / 22.4 in
<b>HEIGHT</b>	83 cm / 32.6 in
<b>SEAT WIDTH</b>	45 cm / 18 in
<b>SEAT DEPTH</b>	44 cm / 17.3 in
<b>SEAT HEIGHT</b>	46 cm / 18.1 in
<b>BACKREST HEIGHT</b>	38 cm / 15 in
<b>ARMREST HEIGHT</b>	66 cm / 26 in

---

## Weight

<b>TOTAL WEIGHT</b>	8.2 kg / 18 lbs
<b>LEGS WEIGHT</b>	4.4 kg / 9.7 lbs
<b>SHELL WEIGHT</b>	3.8 kg / 8.4 lbs

---

## Upholstery Consumption

### FABRIC

**X 140 CM FABRIC WIDTH / X 55 IN FABRIC WIDTH**

<b>SEAT UPHOLSTERED</b>	62 cm / 24.4 in
-------------------------	-----------------

---

## Packaging

<b>NUMBER OF PARCELS</b>	1
<b>PACKAGING LENGTH</b>	66 cm / 26 in
<b>PACKAGING WIDTH</b>	63 cm / 25 in
<b>PACKAGING HEIGHT</b>	94 cm / 37 in
<b>PACKAGING WEIGHT</b>	2.6 kg / 5.7 lbs
<b>GROSS WEIGHT</b>	10.8 kg / 24 lbs

---

## Test & Certifications

<b>CAL 117</b>	Yes
<b>BS5852</b>	Available on request
<b>CRIB 5</b>	Available on request

---

<b>SUSTAINABILITY</b>	Parts can be separated and sorted for recycling Bat shells are made of 100% recyclable PP
-----------------------	---

---

<b>KEY FEATURES</b>	The Bat meeting chair is available fully upholstered, front upholstered, seat upholstered and unupholstered and with a variety of diferent bases
---------------------	--

---

---

## Bat Meeting Chair - Un-Upholstered, Height adjustable 4-star base w. castors

Designed by GamFratesi - 2018

---



---

ITEM NUMBER

61379

DESCRIPTION

The Bat Chair was created with a Scandinavian approach to craft, simplicity and functionalism by Danish-Italian design-duo GamFratesi. The embracing shell with armrests equally embodies both aesthetics and comfort while carrying strong references to the interesting and distinctive shape of a bat's wingspan. Now, the addition of a pneumatic height-adjustment cylinder to the 4-star meeting chair's base makes it able to adapt to the diverse needs of the modern workplace, whether that be at home, an office, or somewhere in between.

---

### Materials & Finishes

BASE FINISH

Black

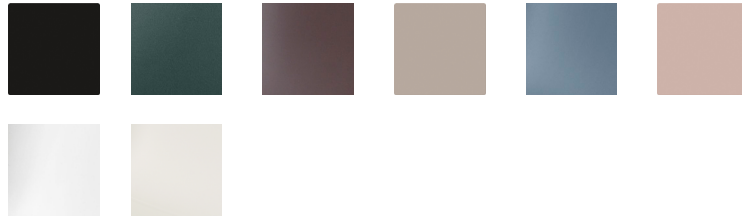


MATERIALS

Aluminium, PP

SHELL COLOR

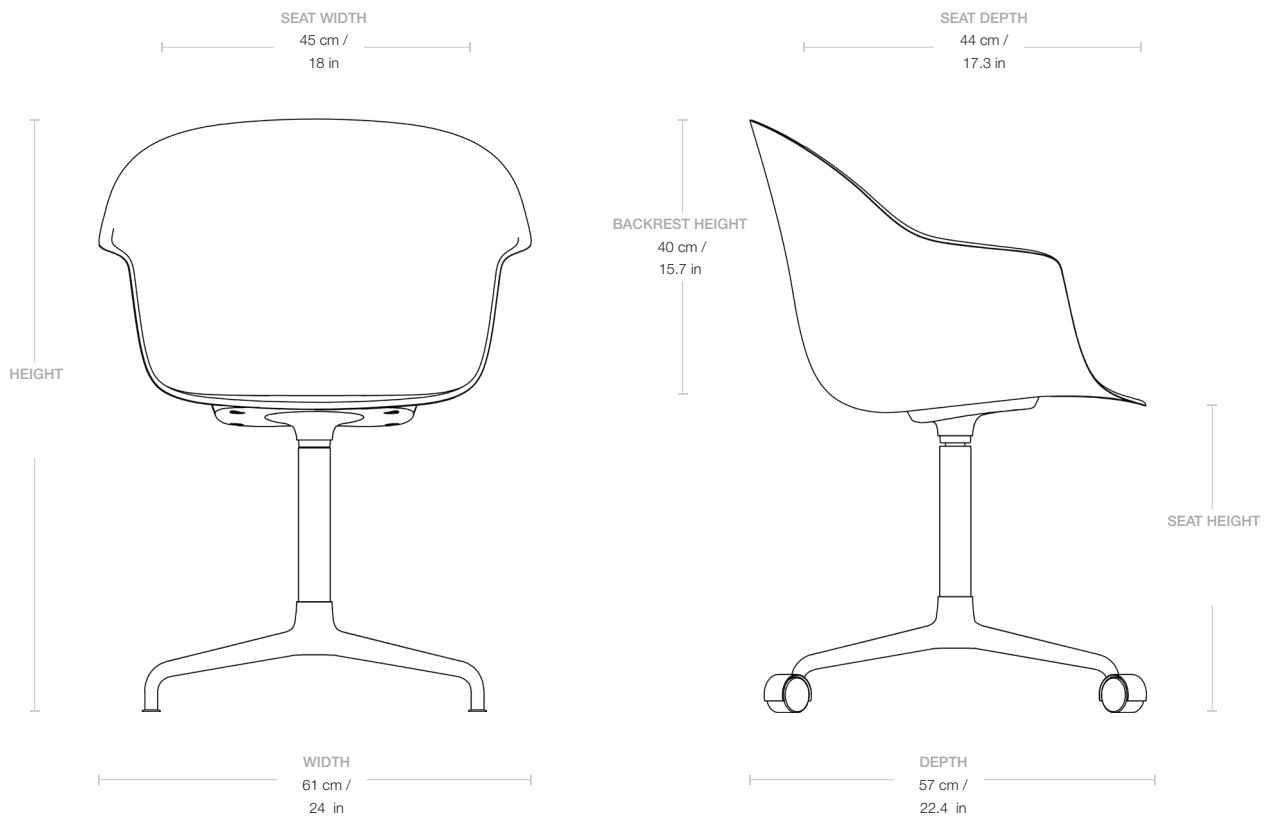
Black, Green, Dark Pink, New Beige, Grey Blue, Sweet Pink, Pure White, Alabaster White



MATERIALS

Aluminium, PP

## Dimensions



WIDTH

61 cm / 24 in

DEPTH

57 cm / 22.4 in

HEIGHT

77-88,5 cm / 30,3-34,8 in

SEAT WIDTH

45 cm / 18 in

SEAT DEPTH

44 cm / 17.3 in

SEAT HEIGHT

38,5-50 cm / 15,2-19,7 in

BACKREST HEIGHT

40 cm / 16 in

## Weight

TOTAL WEIGHT	8,5 kg / 18,7 lbs
SHELL WEIGHT	3.6 kg / 8 lbs

---

## Packaging

NUMBER OF PARCELS	1
PACKAGING LENGTH	66 cm / 26 in
PACKAGING WIDTH	63 cm / 25 in
PACKAGING HEIGHT	94 cm / 37 in
PACKAGING WEIGHT	2.6 kg / 5.7 lbs
GROSS WEIGHT	11,1 kg / 24,5 lbs

---

SUSTAINABILITY	Parts can be separated and sorted for recycling, Bat shells are made of 100% recyclable PP
----------------	--

---

KEY FEATURES	The Bat meeting chair is available fully upholstered, front upholstered, seat upholstered and unupholstered and with a variety of diferent bases
--------------	--

---

---

## Bat Meeting Chair - Un-Upholstered - 4-star base

Designed by GamFratesi - 2018

---



---

**ITEM NUMBER**

11491

**DESCRIPTION**

The Bat Meeting Chair fulfils the natural balance between corporate necessity and formal elegance. While the base embodies clean design with great functionality, the fully moulded seat with armrest ensures high level of comfort. The features are paired and provide a sophisticated expression to any meeting room or home office

---

### Materials & Finishes

**BASE FINISH**

Aluminium, Black, Pure White



**SHELL COLOR**

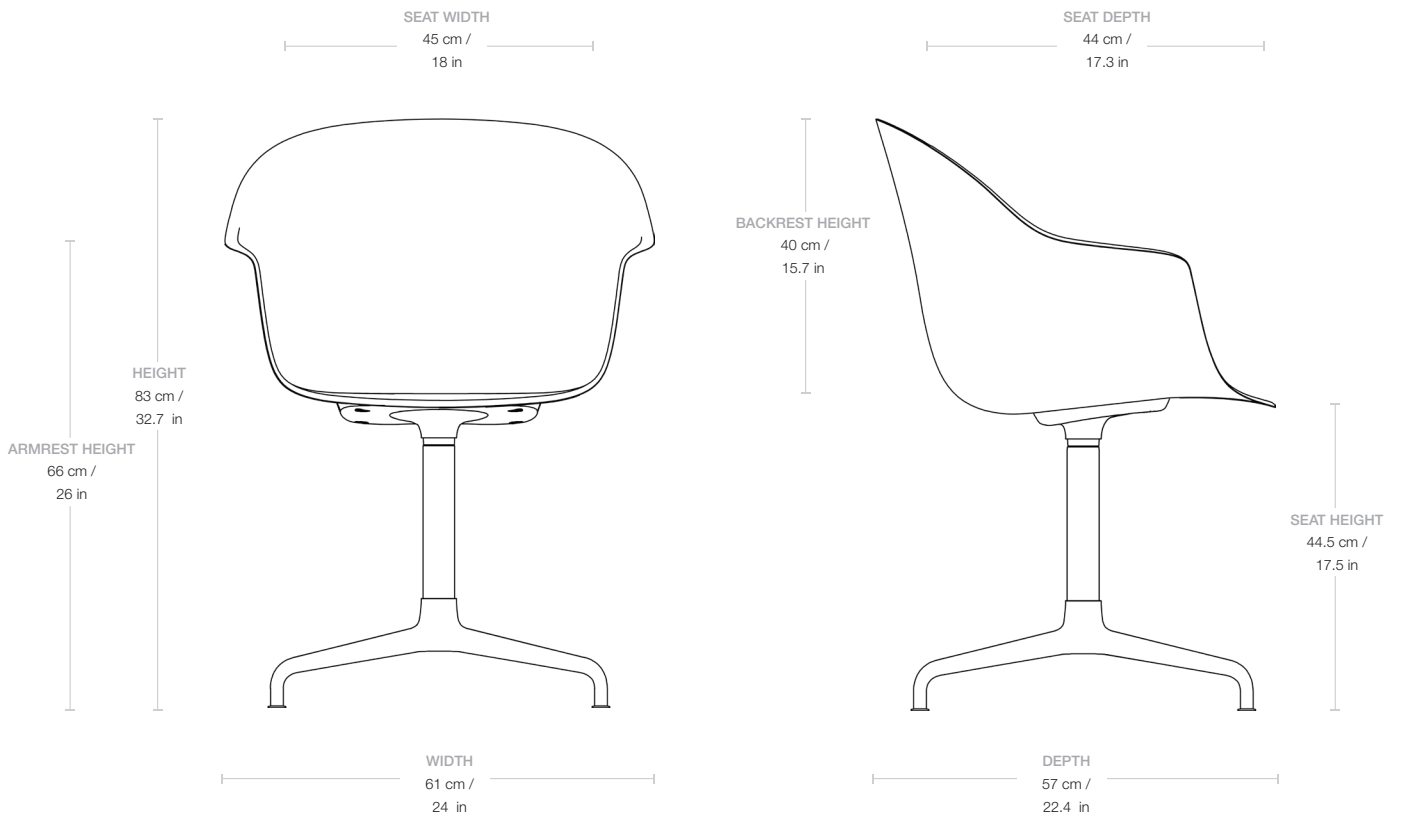
Black, Green, Dark Pink, New Beige, Grey Blue, Sweet Pink, Pure White, Alabaster White



**MATERIALS**

Aluminium, PP, CMHR foam, polyester wadding, fabric or leather upholstery

**Dimensions**



<b>WIDTH</b>	61 cm / 24 in
<b>DEPTH</b>	57 cm / 22.4 in
<b>HEIGHT</b>	83 cm / 32.6 in
<b>SEAT WIDTH</b>	45 cm / 18 in
<b>SEAT DEPTH</b>	44 cm / 17.3 in
<b>SEAT HEIGHT</b>	44.5 cm / 17.5 in
<b>BACKREST HEIGHT</b>	40 cm / 15.7 in
<b>ARMREST HEIGHT</b>	66 cm / 26 in

## Weight

<b>TOTAL WEIGHT</b>	7.6 kg / 16.8 lbs
<b>LEGS WEIGHT</b>	4 kg / 9 lbs
<b>SHELL WEIGHT</b>	3.6 kg / 8 lbs

---

## Packaging

<b>NUMBER OF PARCELS</b>	1
<b>PACKAGING LENGTH</b>	66 cm / 26 in
<b>PACKAGING WIDTH</b>	63 cm / 25 in
<b>PACKAGING HEIGHT</b>	94 cm / 37 in
<b>PACKAGING WEIGHT</b>	2.6 kg / 5.7 lbs
<b>GROSS WEIGHT</b>	10.2 kg / 22.5 lbs

---

<b>SUSTAINABILITY</b>	Parts can be separated and sorted for recycling Bat shells are made of 100% recyclable PP
-----------------------	---

---

<b>SPARE PARTS</b>	Item	Item Number
	Beetle/Bat Glide - Felt - 4star (foot w. glide)	14531

---

## Glides

<b>PLASTIC GLIDES</b>	Included as standard
<b>FELT GLIDES</b>	Available on request

---

<b>KEY FEATURES</b>	The Bat meeting chair is available fully upholstered, front upholstered, seat upholstered and unupholstered and with a variety of diferent bases
---------------------	--