



CARE INSTRUCTIONS

VENEER

For dusting and light cleaning use a soft, dry cloth. For further cleaning, use a soft cloth that is firmly wrung in clean water for gently wiping the surface, and then immediately use a dry cloth to wipe the surface again. If more thorough cleaning is necessary, use a mild liquid soap dissolved in water on a firmly wrung cloth to wipe the frame. Afterwards, repeat the process with clean water as described above.



For enquiries contact GUBI A/S - CVR: 17940384
Klubiensvej 7-9, 2150 Nordhavn, Copenhagen, Denmark
T +45 69 15 60 60 – gubi@gubi.com
GUBI.COM

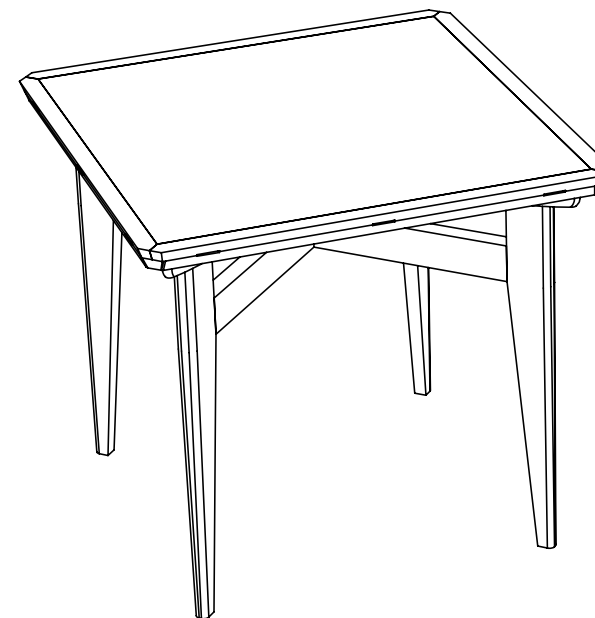
Assembly Instructions B-Table Dining Table.

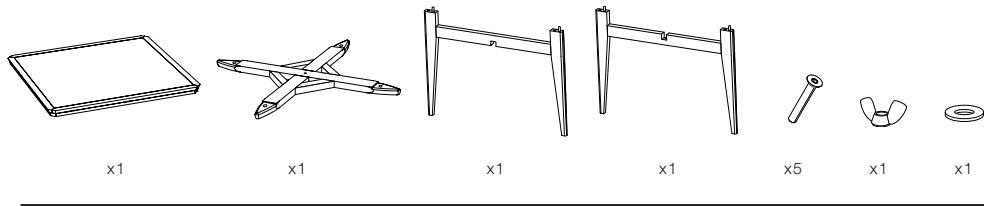
GUBI

ASSEMBLY INSTRUCTIONS

for

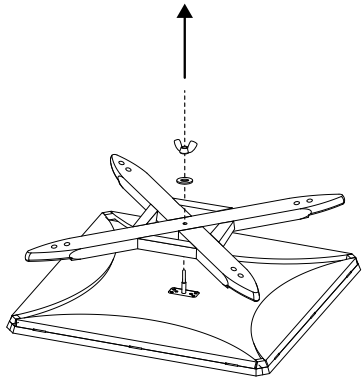
B-Table Dining Table





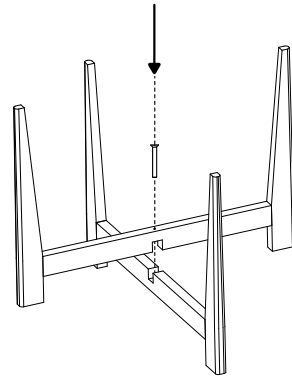
1.

Loosen the thumb screw and remove the cross piece.



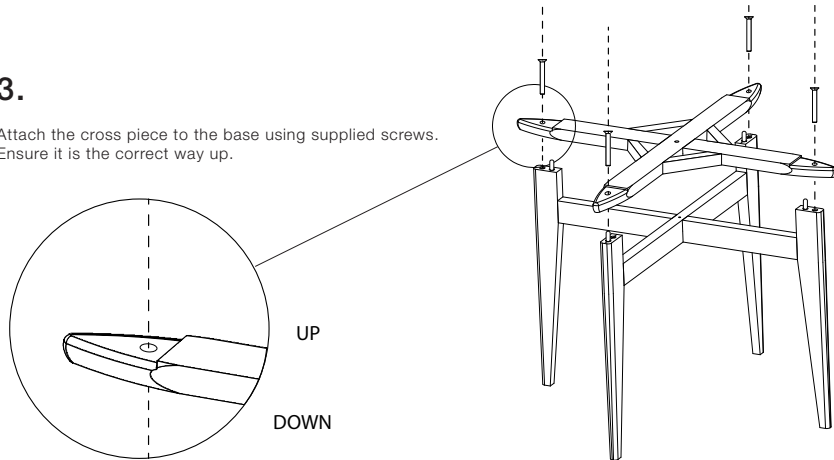
2.

Assemble the base using one supplied screw.



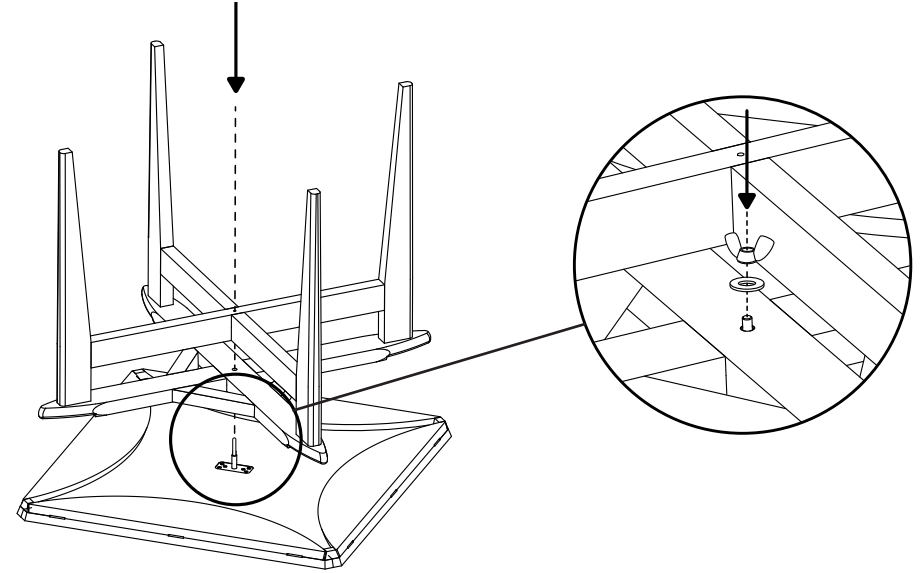
3.

Attach the cross piece to the base using supplied screws. Ensure it is the correct way up.



4.

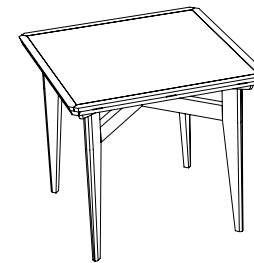
With the table top on the ground, place the base on to the protruding bolt. Be careful to not scratch the base.



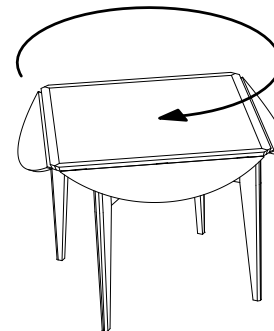
5.

Secure the base to the top with the thumbscrew and washer.

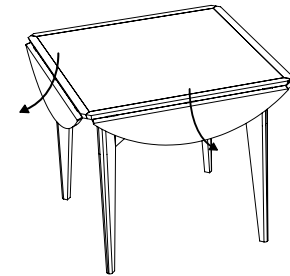
Expanding the table



2. Rotate table top.



1. Fold down flaps



3. Expanded table.

