



CARE INSTRUCTIONS

CERAMIC TABLE TOP

Standard cleaning with a soft cloth and warm water.
All glazed surfaces are easy to be perfectly cleaned and also decontaminated of any bacteria and aggressive substances: no stains, no grease and liquids absorption.
Effective long-lasting sanitation even just by using detergents with low environmental impact.
The material is resistant to all types of weather, but when being partially hygroscopic, it is necessary to ensure proper transpiration.
Therefore, in the winter mths, do not cover the products with sheets of non-breathable materials, to prevent potential breakage and ensure sufficient air circulation.

POWDERCOATED BASE

Use a clean and soft cloth for daily cleaning.
Use a soft damp cloth to remove stains.
Do not use acidic or alkaline cleaning materials, glass cleaner or household ammonia.
Use only soft cloth for wiping and polishing, never use sponges or metal scrubs.



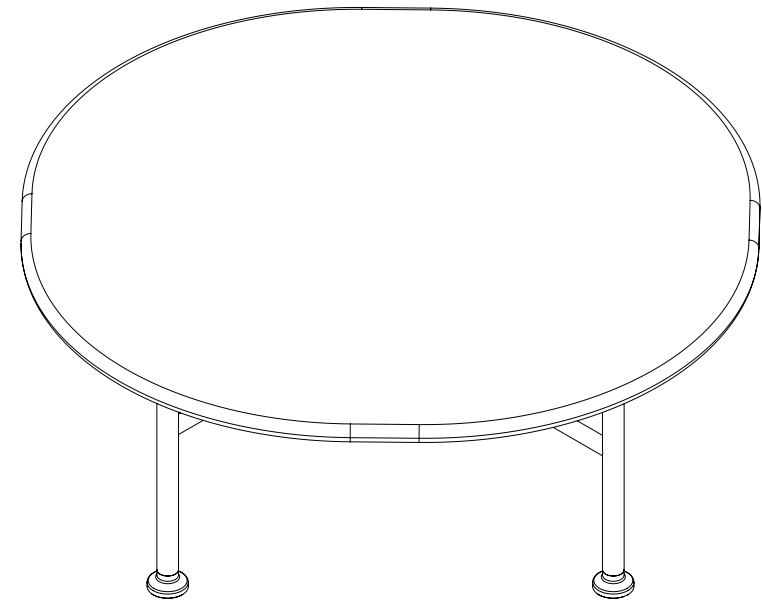
For enquiries contact GUBI A/S - CVR: 17940384
Orientkaj 18-20, 2150 Nordhavn, Copenhagen, Denmark
T +45 69 15 60 60 – order@gubi.com
GUBI.COM

GUBI

ASSEMBLY INSTRUCTIONS

for

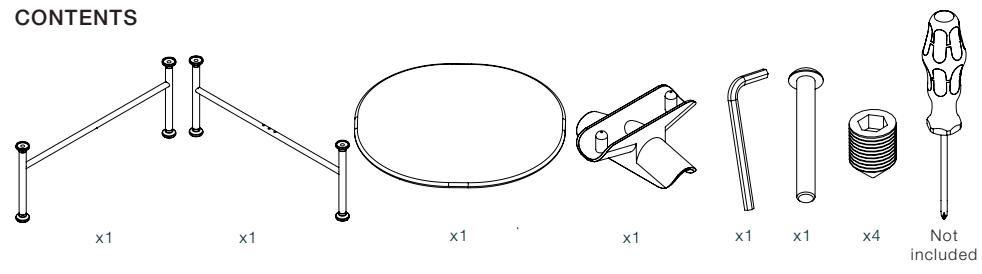
Carmel Tables



GUBI

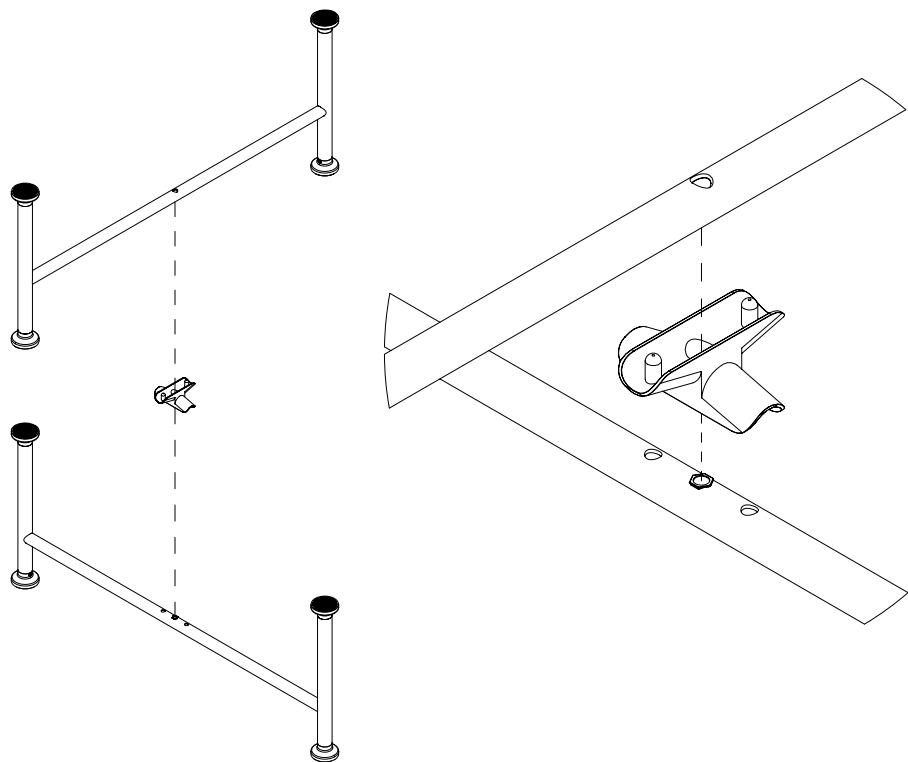
ASSEMBLY INSTRUCTIONS

CONTENTS



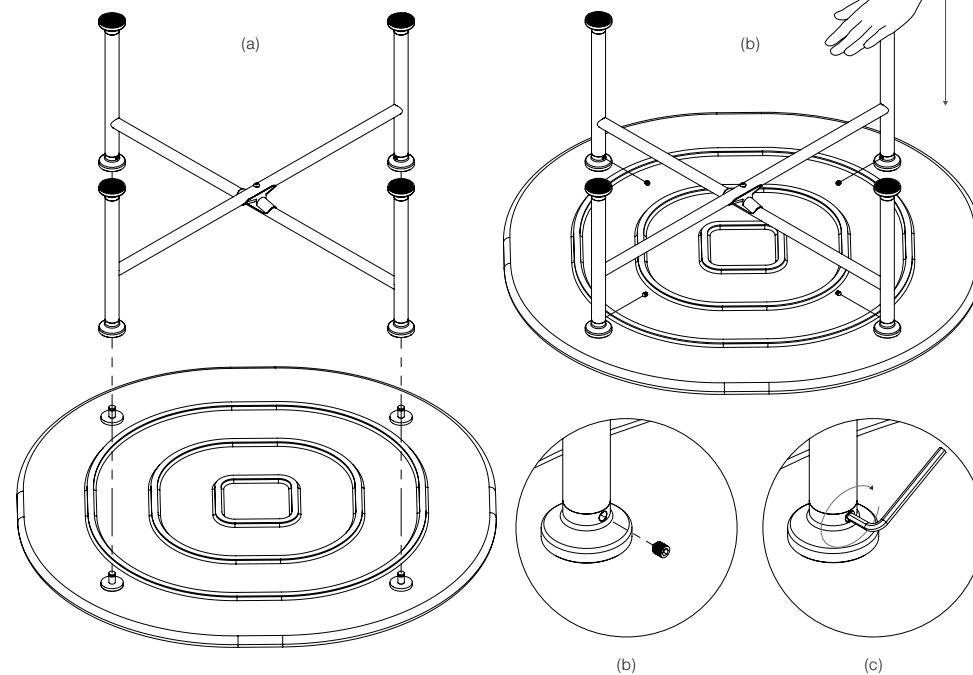
1.

Plug in the junction part into the leg frame with only three holes in the crossbeam. Take the two leg frames and place them across each other, then plug them loosely together.



2.

Place the table top on a blanket or protected surface. Then place the loosely assembled base on top of the pins on the bottom of the tabletop. (a) Insert the socket screw into the pins while tightening the socket screws, push down on top of the leg. (b) Use the Allen key to tighten the socket screws, until they're flush. (c)



3.

Insert bolt into the crossbeam through the junction and use Phillips screwdriver (not included) to tighten. (a) Then tip over the table, by lifting the table top and flip. (b)

