

Designed by Komplot Design

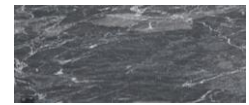
## PRODUCT



## COLORS



// Black stained ash



// Grey Marble



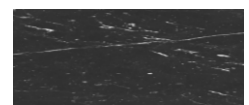
// Walnut nature



// White Marble



// Oak nature



// Black Marble

## DESCRIPTION

The Gubi Dining table Marble is designed by Komplot Design. The table tops are in 20 mm marble, grey white or black. These table tops are matched with the wooden base and legs in black stained ash, walnut nature or oak nature. The Gubi dining table Marble comes in 3 different sizes: Round Ø130 cm, rectangular 100 x 200 cm and elliptical 120 x 230 cm

## VERSIONS - GUBI DINNING TABLE

### TABLE LEGS

Oak nature legs // Gloss level 20-30  
Black stained ash legs // Gloss level 20-30  
Walnut nature legs // Gloss level 20-30

### TABLE TOPS

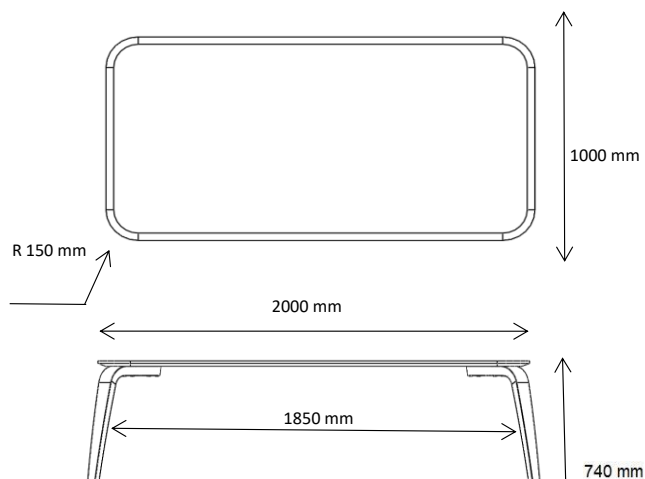
Bianco Carrara - white marble top  
Nero Marquina - black marble top  
Grey Emperador - grey marble top

## VERSIONS - GUBI DINNING TABLE

Order item - look for part number in the pricelist.

Series contains the following:

**GUBI TABLE MARBLE round Ø130 cm**  
**GUBI TABLE MARBLE rectangular 100 x 200 cm**  
**GUBI TABLE MARBLE elliptical 120 x 230 cm**



## FACTS

### MEASUREMENT - L x W x H mm

Table height: 740 mm  
Table top length: 2000 mm  
Table top width: 1000 mm  
Table top thickness: 20 mm  
Base height: 700 mm  
Leg thickness: 30 - 45 mm  
Leg width: 35 - 80 mm

### WEIGHT ITEM

Table Top: 110 kg  
Legs: 6,4 kg  
Mounting plate: 17 kg

### PACKAGING TYPE

Cardboard, MDF, Low density fiberboard

### PACKAGING MEASUREMENT - L x W x H cm

Top: L: 210 X W: 110 X H: 6,5 CM  
legs L: 96 x W: 37 x H 10 CM  
Mounting plate: L: 75 x W: 175 x H: 4

### WEIGHT PACKAGING MOUNTINGPLATE - MATERIAL

Cardboard 2800 g  
Delivery note: 5 g  
Foam protector: 100 g

Packaging mountingpl.: 2,9 kg

### WEIGHT PACKAGING TOP - MATERIAL TYPE

Chipboard: 59200 g  
Delivery note: 5 g  
Foam protector: 800 g  
Packaging top: 60 kg

### WEIGHT PACKAGING LEGS - MATERIAL TYPE

Cardboard 635 g  
Delivery note: 5 g  
Foam protector: 100 g  
Screws: 260 g  
Packaging legs: 1 kg

### WEIGHT TOTAL

### NUMPER OF PARCELS