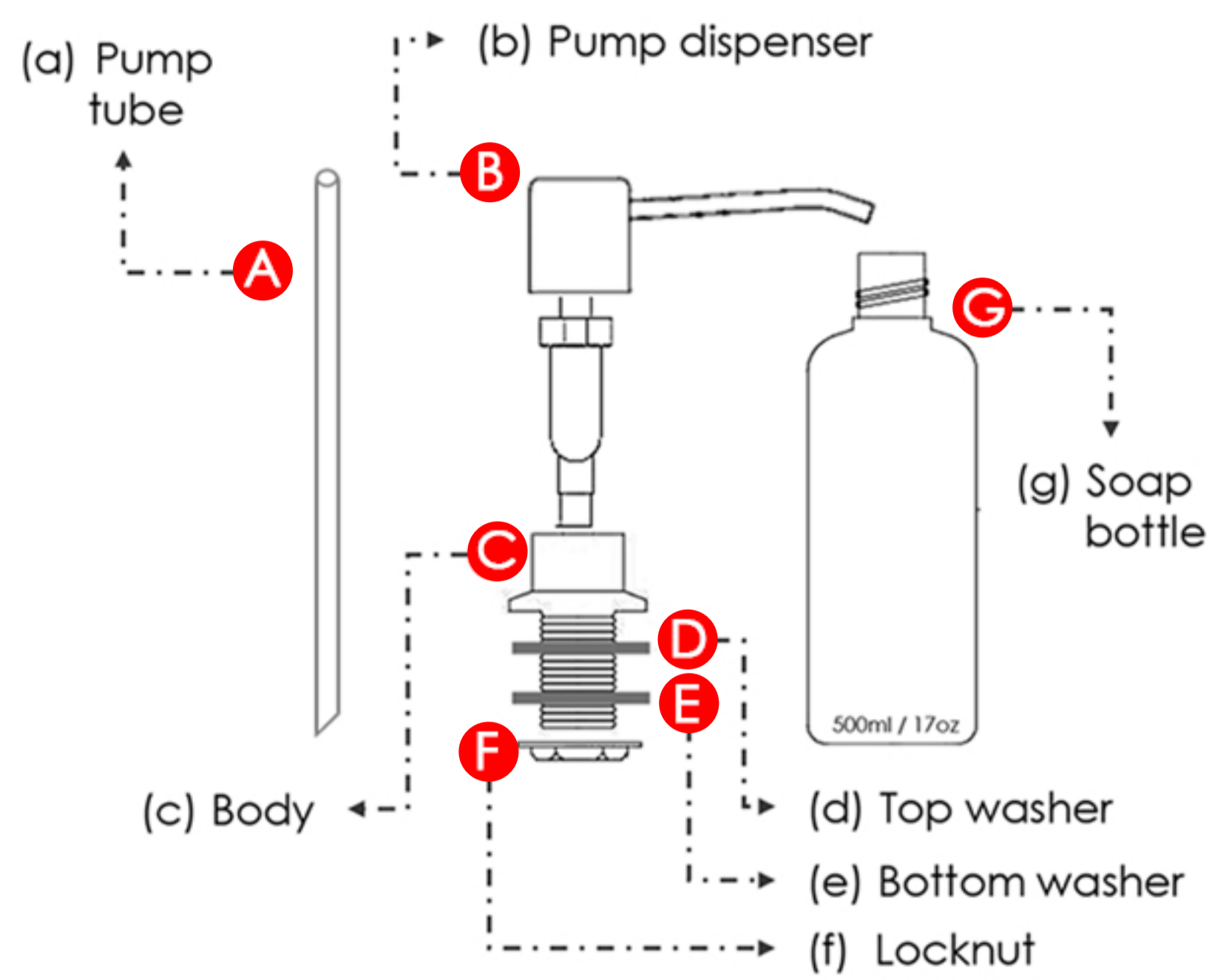




# SINK SOAP DISPENSER INSTALLATION GUIDE

## What's inside?



## ⚠ Read Prior to installation ⚠

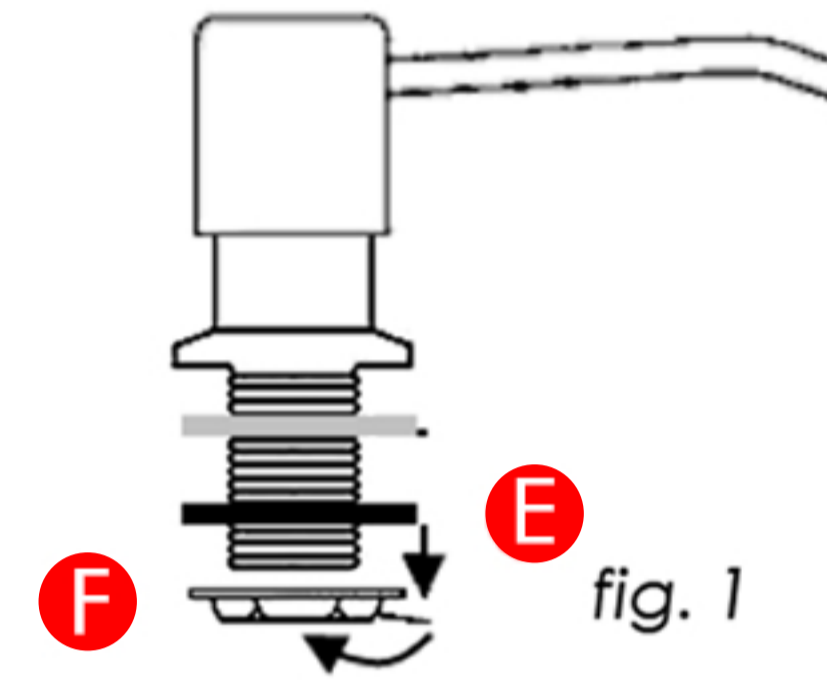
- 1) The soap dispenser will fit into a **1 to 1.5** inches hole, if you already have an existing one, please skip to the **INSTALLTION GUIDE** on the back.
- 2) If you need to drill a hole, mark and measure its position so that soap dispenser nozzle reaches over the sink ( adjust position as needed ).

⚠ We suggest using 25mm/1 inch hole saw ⚠  
for a tight fit installation.

Caution: Please seek professional advice or service for drilling the hole and installing the soap dispenser on your sink or countertop. This will ensure your safety and that the soap dispenser is properly installed. Kimi Inc. and it's affiliates shall not be held responsible for any loss or damage to property, materials or injuries to individuals caused by the personal actions of the customer or other household members or guests before, during or after stuch works have been carried out.

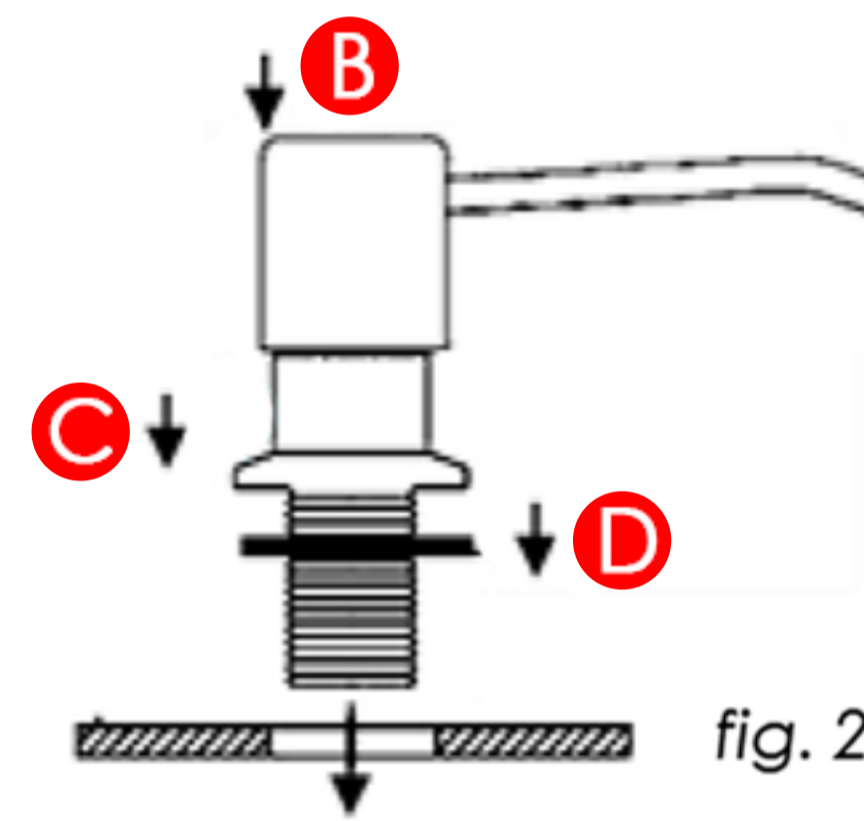
## STEP 1

Remove **(F) locknut** and **(E) bottom washer**.  
see fig. 1



## STEP 2

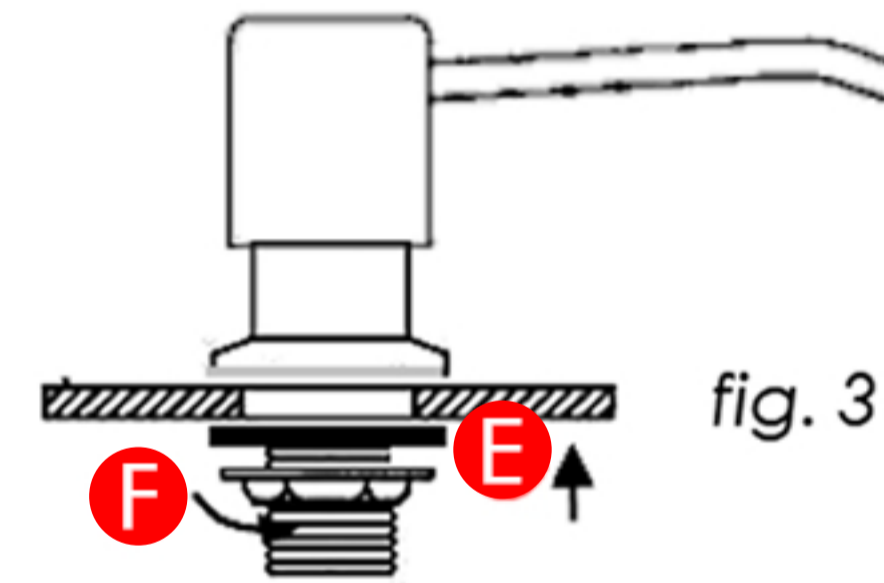
Insert **(C) body** along with **(D) top washer** into the countertop hole.  
see fig. 2



## STEP 3

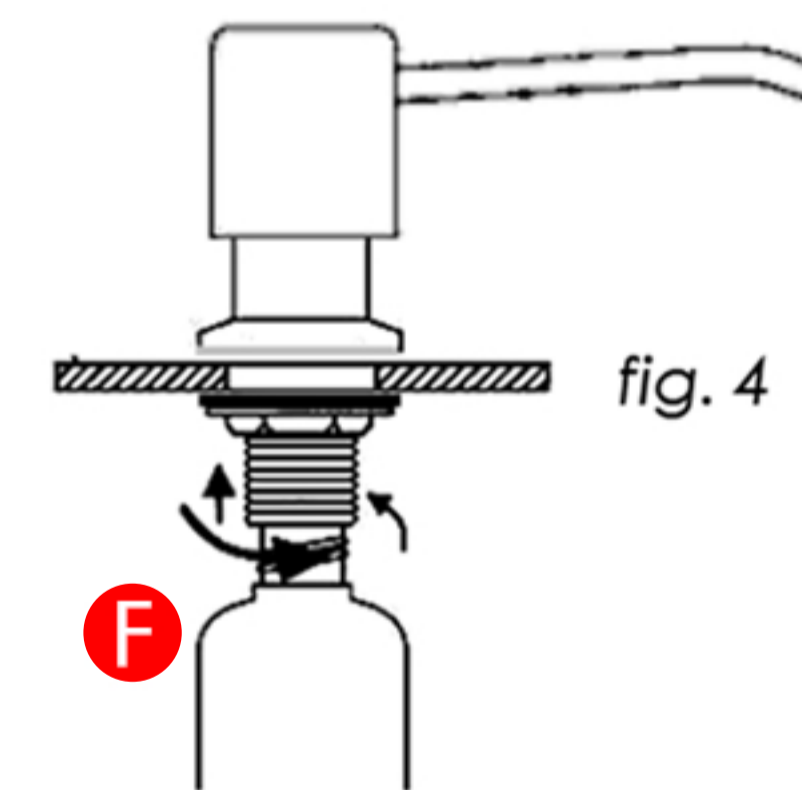
From the bottom of the countertop, insert **(E) bottom washer** and gently screw in **(F) locknut**, make sure the flat part is facing up.

*Avoid over tightening as it may cause damage to the plastic*  
see fig. 3



## STEP 4

Gently screw in **(G) soap bottle**.  
*Avoid over tightening as it may cause damage to the plastic* ⚠  
see fig. 4

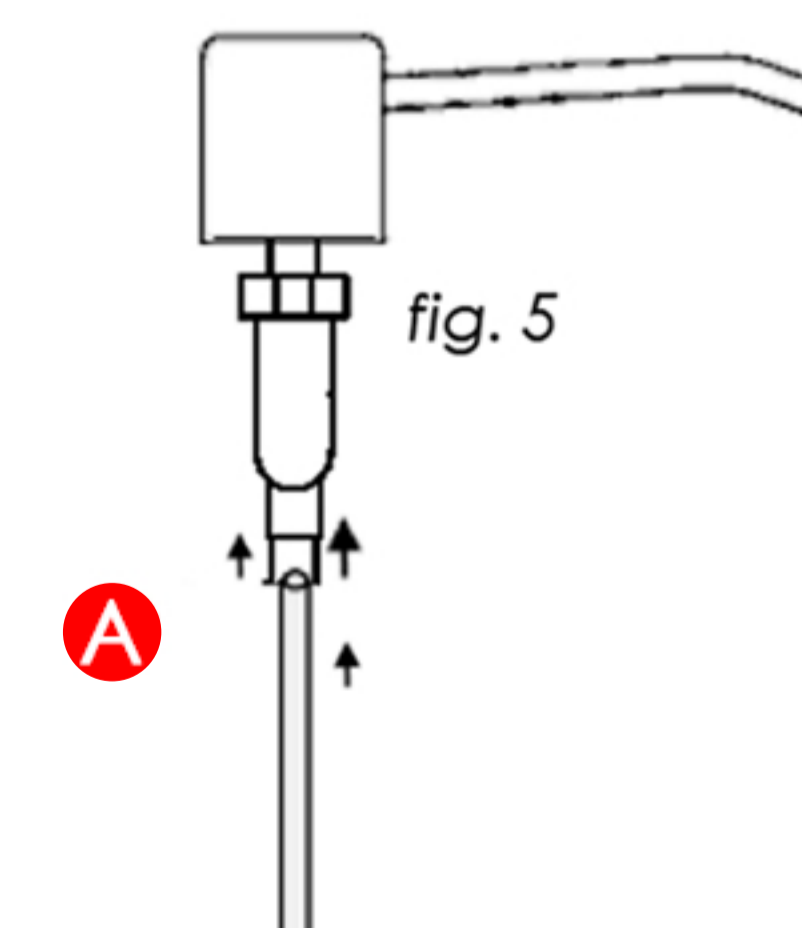


## STEP 5

Pull out **(B) pump dispenser**, insert the flat part of **(G) pump tube**. see fig. 5

Pour in your favourite soap from the top, up to a maximum of 17oz / 500ml.

Re-insert **(B) pump dispenser** and **(C) pump tube**



## CONGRATULATIONS

You can now test your installation by pressing on the dispenser until the soap dispense.

**kimi** cuisine™

