

STND series

Versatile Signal/ Warning Lights with Built-in Buzzer

Warning lights with electric horn supports 30 prerecorded, 30 user defined sound tones(MP3)

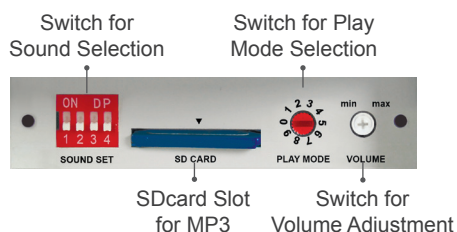
- 6 Bit input, 5 sound tones for each group
- Binary input 30 sound tones output
- SDcard(MP3) support

Sound Tone Selection & Volume Control

STND series is a combination of warning light and signal horn that allows sound tone selection and volume control through a built-in control panel. In addition, it supports MP3 through an SDcard.

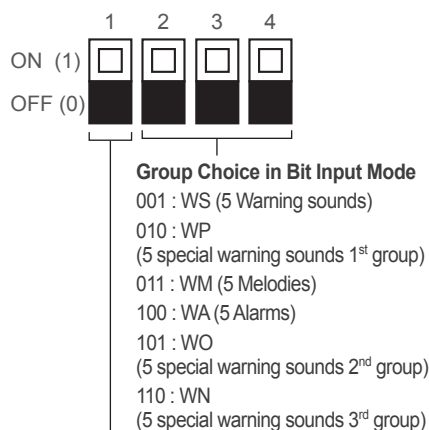
Multifunctional Type

Features



Sound Setup Switch

You can select between pre-recorded sound mode and SDcard sound (MP3) mode with the SOUND selection switch.



Sound Selection

0 : Built-in sound
1 : SDcard(MP3)

- Built-in sounds(5WS, 5WP, 5WM, 5WA, 5WO and 5WN)
- Support SDcard(MP3)
- Binary Input : 30Ch
- Bit input : 5Ch(6 groups)
- Support MP3 format through SDcard
- Detailed instructions for multi-functional products are shown on page 26



Warning/Signal/Stackable



Signal & Electric Horn/Speakers



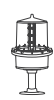
Vessels and Heavy-Duty Equipment



Explosion Proof



Warning Light Bar



Aviation Obstruction Lights



Signal Tower Lights



USB/ETN Signal Tower Lights



Electric Horn/Speakers



Industrial LED Lights



Common Specifications(STNDL/ STND100/ STND125)

- Combination of warning light and horn allows transmission of both visual and audible signals together
- Appropriate sound tones can be chosen depending on the various working environments among the various type of available sound tones
- Sound tone selector and volume controller in front of the device allows convenient use
- SDcard type allows user defined sound tone
- Built-in 30 sound tones, support binary and bit input modes
- Bit input mode consists of 5 sound types with 6 groups. Choose one of the groups to play 5 sounds from that group.(MP3 is separate from the 6 groups)
- Materials : Lens-AS, Housing-ABS, Reflector-Heat resistant ABS
- Ambient operating temperature
 - 20°C to +50°C : STND100LR, STND100R, STND125LR, STND125R
 - 30°C to +50°C : STNDL, STND100L, STND125L
- Protection rating : IP54

Built-in sounds 30

Multi-functional product has 30 built-in sound tones

Sound	Category	Ch	Sound Tone	Sound	Category	Ch	Sound Tone
WS	5 Warning sounds	Ch1	Fire.A-ANG	WA	5 Alarms	Ch1	Beep Intermittent
		Ch2	Emergency WA-U(Yelp)			Ch2	Door Chime
		Ch3	Ambulance PI-PO(Hi- low)			Ch3	Phone Ring
		Ch4	Machinery Fault			Ch4	PI.PI.PI Short
		Ch5	Form Alarm			Ch5	Tripping Beat
WP	5 special warning sounds (1 st group)	Ch1	Fire.A-ANG	WO	5 special warning sounds (2 nd group)	Ch1	Phone Ring
		Ch2	Abandon Alarm			Ch2	Police
		Ch3	Machinery Fault			Ch3	Emergency
		Ch4	High Expansion			Ch4	Phone Ring 2
		Ch5	7 Short PI. / 1 Long			Ch5	911 siren
WM	5 Melodies	Ch1	Sweet Home	WN	5 special warning sounds (3 rd group)	Ch1	Do-ong Do-ong
		Ch2	For Elise			Ch2	Di- Di-
		Ch3	Cuckoo's Waltz			Ch3	PI.PI.PI long
		Ch4	Piano Sonata			Ch4	Li long Li long
		Ch5	Turkish March			Ch5	Siren

User-defined sound (MP3)

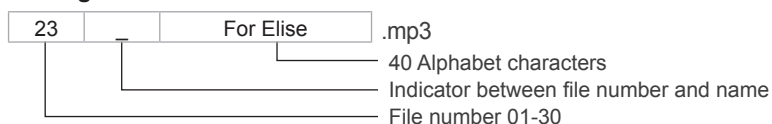
User-defined sound(MP3) type



Customer can create a playlist and grouping conveniently through PC. Product supports up to 32Gbyte. SDcard is an optional item.

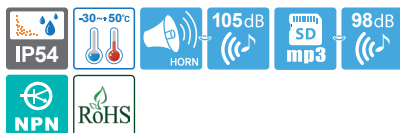
*SDcard needs to be purchased.

MP3 file naming



STND series

Multifunctional Signal/ Warning Lights with Built-in Buzzer



STND series

STNDL LED Steady/Flashing Lights & Electric Horn

- Lens colors are interchangeable
- Certificates : CE Compliant
- Compliant with RoHS directive

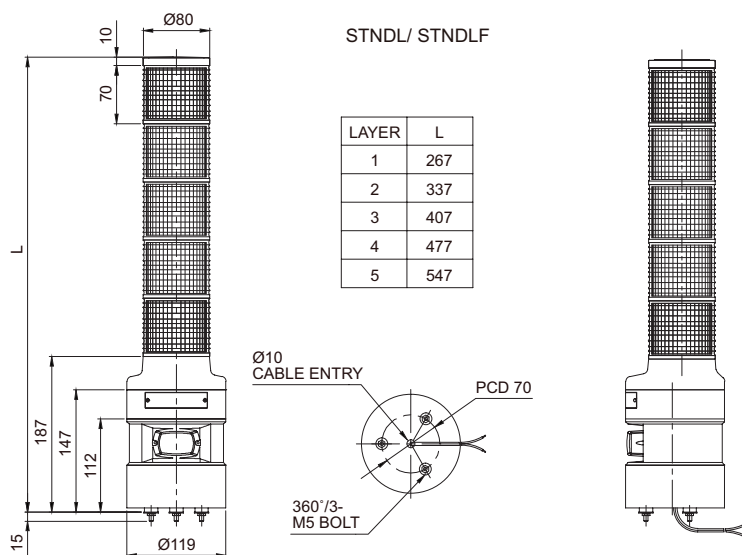
Model number	layer	Voltage	Current	Sound Pattern and Volume	Certificates	Weight	Color
STNDL STNDLF Steady/ Flashing	1	DC12V	0.610A	<ul style="list-style-type: none"> • WS-Warning sound • WP-Special warning sound 1st group • WM-Melody • WA-Alarm • WO-Special warning sound 2nd group • WN-Special warning sound 3rd group • SDcard-MP3 Volume : 105dB • Bit input : 5Ch • Binary Input : 30Ch • Warning sound : 105dB • MP3 : 98dB 	CE DC Only	DC-1.19kg AC-1.58kg	• R-Red
		DC24V	0.330A				
		AC110V	0.154A				
		AC220V	0.087A				
	2	DC12V	0.770A			DC-1.43kg AC-1.82kg	• R-Red • G-Green
		DC24V	0.410A				
		AC110V	0.162A				
		AC220V	0.092A				
	3	DC12V	0.930A			DC-1.67kg AC-2.06kg	• R-Red • A-Amber • G-Green
		DC24V	0.490A				
		AC110V	0.171A				
		AC220V	0.096A				
	4	DC12V	1.090A			DC-1.91kg AC-2.30kg	• R-Red • A-Amber • G-Green • B-Blue
		DC24V	0.570A				
		AC110V	0.182A				
		AC220V	0.102A				
	5	DC12V	1.250A			DC-2.15kg AC-2.54kg	• R-Red • A-Amber • G-Green • B-Blue • W-White
		DC24V	0.650A				
		AC110V	1.078A				
		AC220V	0.520A				



STND series has a front control panel for convenient sound signal control.

Technical Diagram

(Units : mm)



Wiring Instructions

- External power line standard, UL1015 AWG18(0.75sq)×2C 400mm
- Signal line standard, UL1007 AWG22(0.3sq) 400mm
- Product can be wired regardless of polarity

※ Please refer to page137 for detailed wiring information.

Ordering Specification

STNDL	-	3	-	24	-	RAG
[Model number]		[Layer]		[Voltage]		[Color]
• STNDL • STNDLF		• 1-1Layer • 2-2Layers • 3-3Layers • 4-4Layers • 5-5Layers		• 12-DC12V • 24-DC24V • 110-AC110V • 220-AC220V		• R-Red • A-Amber • G-Green • B-Blue • W-White

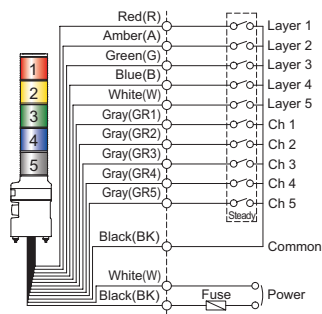


Wiring Instructions

External contact

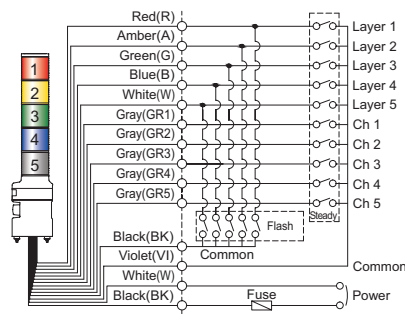
STNDL-DC/AC (Steady)

EXTERNAL CONTACT



STNDLF-DC/AC (Steady/Flashing)

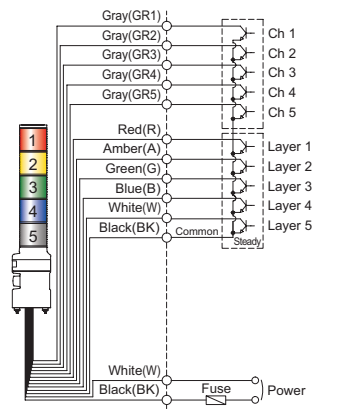
EXTERNAL CONTACT



Transistor

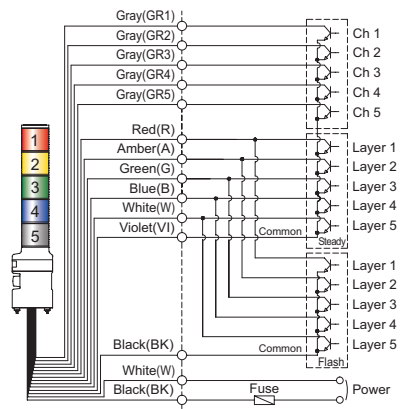
STNDL-DC/AC (Steady)

EXTERNAL TRANSISTOR-NPN



STNDLF-DC/AC (Steady/Flashing)

EXTERNAL TRANSISTOR-NPN



- Product can be wired regardless of polarity.
- In case of Bit input, 5 sound tones can be played. For Binary input, 30 sound tones can be played.
- ※ Please refer to page26 for detailed channel input instruction. (Wiring Instructions substitutes for channel selection switch)

⚠ Do not apply power into each signal line. Product may be damaged

- NPN transistor(non-external contact control) can be enabled by using the flashing common line for the light source.
- Each unit's light source and signal sound do not operate identically even though multiple units are working at the same time.
- Do not short-circuit between steady common and flash common. Signal light won't work properly.



Warning/
Signal/
Stackable



Signal &
Electric Horn/
Speakers



Vessels and
Heavy-Duty
Equipment



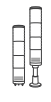
Explosion
Proof



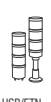
Warning
Light Bar



Aviation
Obstruction
Lights



Signal Tower
Lights



USB/ETN
Signal Tower
Lights



Electric Horn/
Speakers



Industrial
LED Lights