

SRN/SEN15/SEN25

General Electric Horns



108dB



SRN

108dB



SEN15

115dB



SEN25



Common Specifications(SRN/ SEN15/ SEN25)

- Cost effective model with high signal sound
- A variety of sound selections between warning sounds, alarm sounds, melodies and voice messages to fit your sophisticated application needs
- User defined voice signal type(WV) shall be provided upon request
- Can adjust sound volume with the switch built inside the unit
- Materials : Housing-ABS(Standard Color : Red)
- Ambient operating temperature : -25°C to +50°C
- Protection rating : IP55
- Certificates : CE Compliant

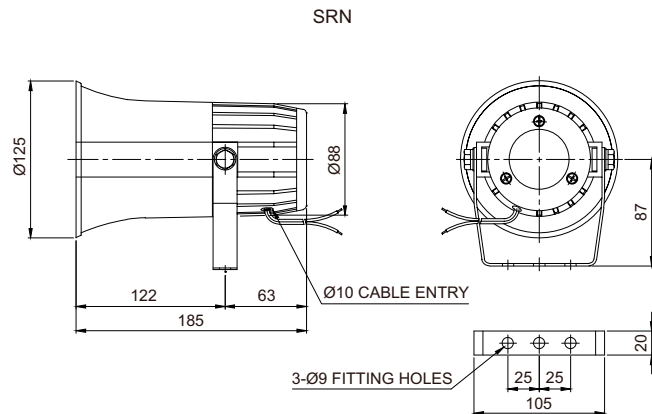
SRN Max 108dB

Model number	Built-in Sound	dB	Voltage	Current	Certificate	Weight
SRN	WS 5 Warnings	108dB	DC12V DC24V AC110V AC220V	0.322A 0.233A 0.073A 0.036A	CE DC only	DC-0.72kg AC-0.98kg
	WM 5 Melodies	108dB				
	WA 5 Alarms	105dB				
	WV 5 Voices	98dB				



Technical Diagram

(Units : mm)



SEN15 Max 108dB

Model number	Built-in Sound	dB	Voltage	Current	Certificate	Weight
SEN15	WS 5 Warnings	108dB	DC12V DC24V AC110V AC220V	0.366A 0.266A 0.077A 0.038A	CE DC only	DC-0.76kg AC-1.03kg
	WM 5 Melodies	108dB				
	WA 5 Alarms	105dB				
	WV 5 Voices	98dB				

SEN25 Max 115dB

Model number	Built-in Sound	dB	Voltage	Current	Certificate	Weight
SEN25	WS 5 Warnings	115dB	DC12V DC24V AC110V AC220V	2.211A 1.022A 0.226A 0.113A	CE DC only	DC-0.95kg AC-1.23kg
	WM 5 Melodies	115dB				
	WA 5 Alarms	113dB				
	WV 5 Voices	108dB				



Warning/
Signal/
Stackable



Signal &
Electric Horn/
Speakers



Vessels and
Heavy-Duty
Equipment



Explosion
Proof



Warning
Light Bar



Aviation
Obstruction
Lights



Signal Tower
Lights



USB/ETN
Signal Tower
Lights



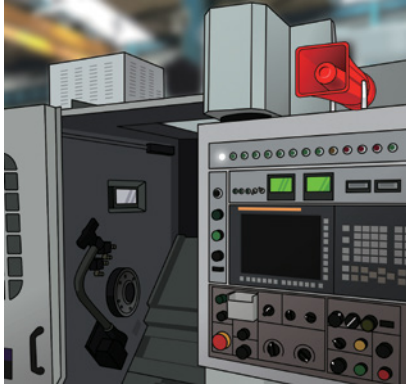
Electric Horn/
Speakers



Industrial
LED Lights

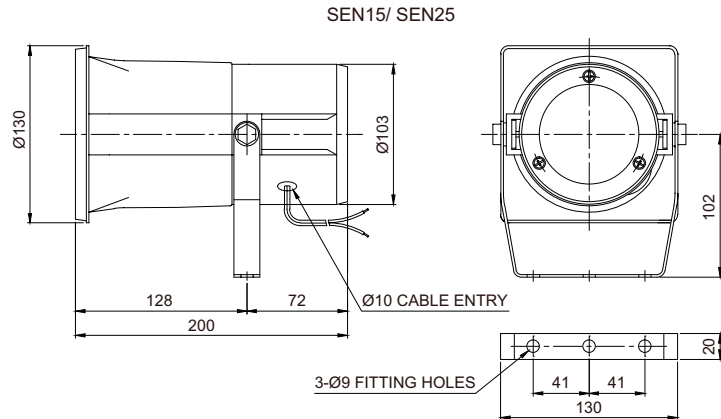
SRN/SEN15/SEN25

General Electric Horns



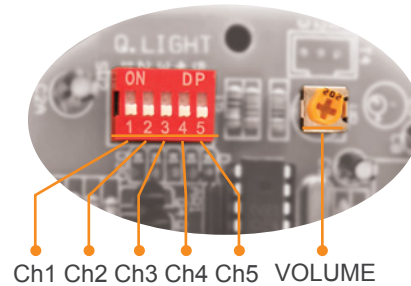
Technical Diagram

(Units : mm)



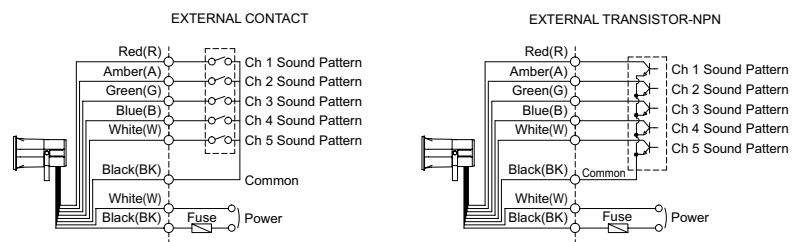
Sound Selection and Wiring Instructions

- Standard : Internal switch
- Internal switch allows to choose sound pattern for SRN/SEN15/SEN25 models



- External Power Line, Threading type : Standard VCTF(0.75sq×2C)×400mm
- LC type signal line : UL1007 AWG22(0.3sq) 400mm
- Product can be wired regardless of polarity

SRN/SEN15/SEN25-DC/AC



Customization

- Customized type: Select using the external contact(LC)
- You can select the audible sound pattern using external contacts or transistor with a customized external sound line(Model number : -LC)



Ordering Specification

SRN	-	WS	-	220	-	LC
[Model number]		[Sound]		[Voltage]		[Sound selection]
<ul style="list-style-type: none"> • SRN • SEN15 • SEN25 		<ul style="list-style-type: none"> • WS-5 Warnings • WM-5 Melodies • WA-5 Alarms • WV-5 Voices 		<ul style="list-style-type: none"> • 12-DC12V • 24-DC24V • 110-AC110V • 220-AC220V 		<ul style="list-style-type: none"> • None - Internal Switch • LC - External Contact