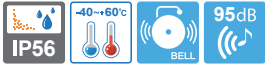


SBE series

Explosion Proof Alarm Bell



SBE130/ SBE150 Max 95dB Explosion Proof Alarm Bell

- Explosion proof alarm bell for audible signal in dangerous area
- Adopts special solenoid bell structure, suitable in vessels which encounter serious vibration and impact or outdoor plants application
- Fully enclosed structure with protection rating of IP56
- Sound volume : Max 95dB at 1m
- Standard housing color : MUNSSELL No. 7.5BG 7/2
- Cable entry : 1/2" NPT
- Materials : Housing-AI, Bell-AI
- Certificates : KIMM
- Protection rating: Ex d IIC T6, IP56
- Ambient operating temperature : $-40^{\circ}\text{C} \leq T_{\text{amb}} \leq +60^{\circ}\text{C}$



SBE130



Specifications

Model number	Frequency	Volume	Bell diameter	Voltage	Current	Certificate	Weight
SBE130	400Hz	95dB	120mm	DC24V	0.044A		2.27kg
SBE150	600Hz		150mm	AC110V	0.044A		2.52kg
				AC220V	0.022A		



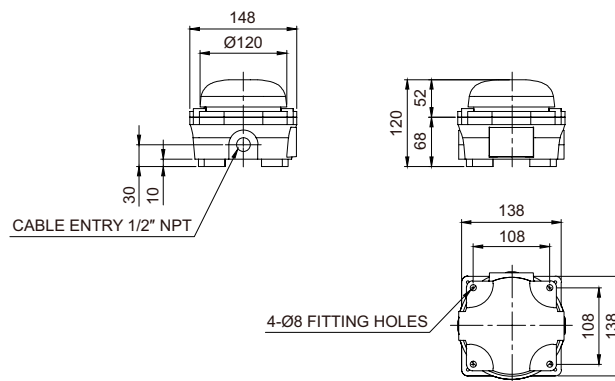
Technical Diagram

(Units : mm)

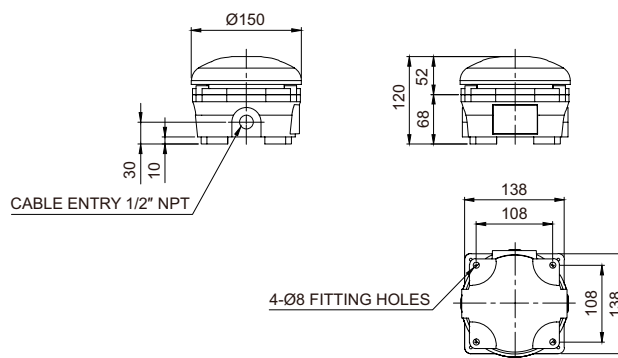


SBE150

SBE 130



SBE 150



Customization

- Built-in explosion proof cable gland type
- 2 way cable entries
- Customized cable entry (3/4" NPT, M20×1.5, M25×1.5) available



Ordering Specification

SBE130	-	220
[Model number]		[Voltage]
<ul style="list-style-type: none"> • SBE130 • SBE150 		<ul style="list-style-type: none"> • 24-DC24V • 110-AC110V • 220-AC220V