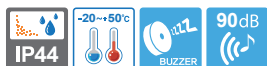


S125 series

Ø125mm Bulb Revolving Warning Lights



S125U



CNC machine equipped with S125U

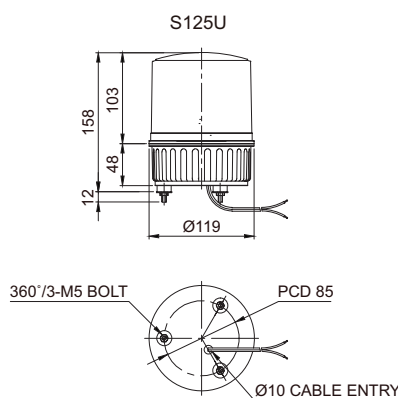
S125U Bulb Revolving Warning Light

• Protection rating : IP44

Model number	Voltage	Current	Bulb			Certificates	Weight	Color
			Spec	Standard	Parts no			
S125U	DC12V	0.966A	12V10W	T16x35 15S	9	-	0.41kg	<ul style="list-style-type: none"> ● R-Red ● A-Amber ● G-Green ● B-Blue
	DC24V	0.566A	24V10W	T16x35 15S	10		0.41kg	
	AC110V	0.130A	12V10W	T16x35 15S	9		0.65kg	
	AC220V	0.065A	12V10W	T16x35 15S	9		0.65kg	

Technical Diagram

(Units : mm)



Wiring Instructions

- External power line standard : UL1015 AWG18(0.75sq)×2C 400mm
- DC Type : Black output line is negative(-)

Customization

- 2 buzzer sound types : Both prolonged (beep, beep) and staccato(beep, beep, beep) buzzer output available
- Wall mount bracket options : Bracket structure allows for threading through the bracket hole or into the wall mount



Wall Mount Bracket SWP125



Wall Mount Bracket SWM125

Ordering Specification

S125U	-	BZ	-	220	-	R
[Model number]		[Buzzer option]		[Voltage]		[Color]
• S125U		<ul style="list-style-type: none"> • None - No buzzer • BZ - Built-in buzzer 		<ul style="list-style-type: none"> • 12-DC12V • 24-DC24V • 110-AC110V • 220-AC220V 		<ul style="list-style-type: none"> ● R-Red ● A-Amber ● G-Green ● B-Blue



Warning/Signal/Stackable



Signal & Electric Horn/Speakers



Vessels and Heavy-Duty Equipment



Explosion Proof



Warning Light Bar



Aviation Obstruction Lights



Signal Tower Lights



USB/ETN Signal Tower Lights



Electric Horn/Speakers



Industrial LED Lights