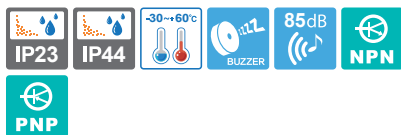


QTA56L

LED Steady Tower Lights



QTA56L LED Steady
QTA56L-BZ Built-in Buzzer LED Steady



QT56HEX

Built-in buzzer output holes formed on the housing of the product.



QTA56L LED Steady

- High brightness LED with hexagon type mounting pole
- Elegant design with hexagon shaped metal housing
- Aluminum housing provides excellent durability
- Folding type mount bracket can be utilized in various environments
- Built-in buzzer available (Volume : Max 85dB at 1m)
- Materials : Lens-PC, Housing-AI, Mounting bracket-AI
- Ambient operating temperature : -30°C to +60°C
- Protection rating : Standard type-IP44, Built-in buzzer type-IP23

Model number	Layers	Voltage	Current	Certificates	Weight	Color
QTA56L Steady	3	DC24V	Max 0.126A	-	0.71kg	<ul style="list-style-type: none"> ● R-Red ● A-Amber ● G-Green
QTA56L-BZ Steady /w built-in buzzer			Max 0.155A		0.72kg	

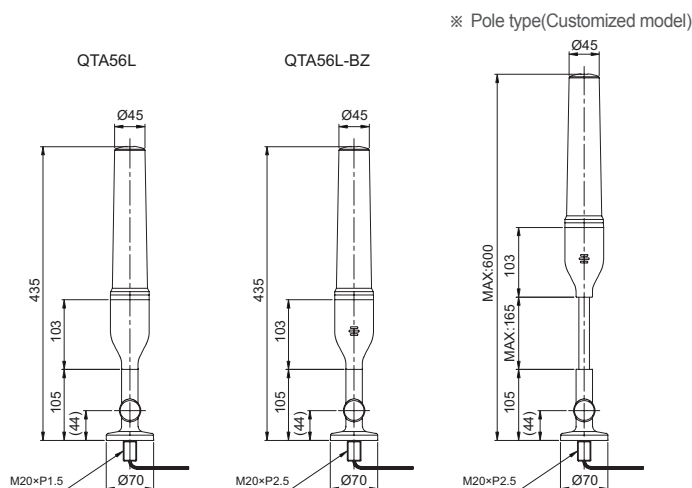
Signal/ Audible line current(Per each layer)

Voltage	DC24V
Signal line current	0.042A
Audible line current	0.029A



Technical Diagram

(Units : mm)



Wiring Instructions

- External power line and signal line standard : UL1007 AWG22(0.3sq) 400mm
- ※ Please refer to page 16 for detailed wiring instructions.



Customization

- Pole type



Ordering Specification

QTA56L	-	3	-	24	-	RAG
[Model number]		[Layers]		[Voltage]		[Color]
• QTA56L • QTA56L-BZ		• 3-3 Layers		• 24-DC24V		<ul style="list-style-type: none"> ● R-Red ● A-Amber ● G-Green

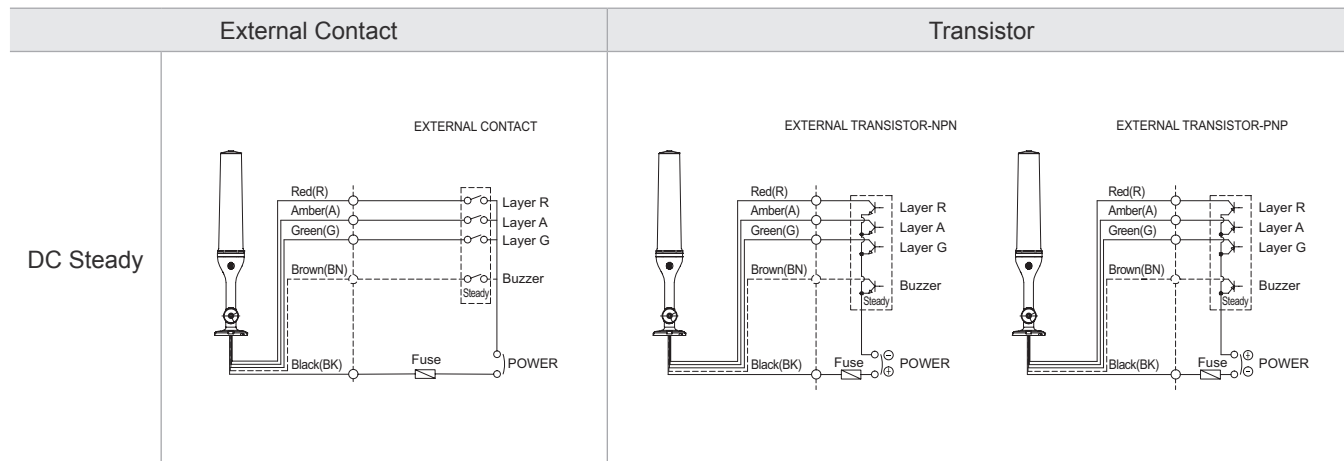
QTA56L

LED Steady Tower Lights



Wiring Instructions

- QTA56L can be wired by using both external contact and transistor.
- In case of wiring by transistor, please make sure if it is NPN type or PNP type. Please carefully follow wiring instructions below.
- Product can be wired regardless of polarity.



- External power line and signal line standard - UL1007 AWG22(0.3sq) 400mm