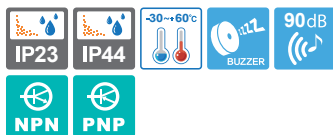


# QT56MCL

## LED Steady Tower Lights



**Signal light that can be configured with 7 colors in 1 tower light**

**QT56MCL** LED Steady

**QT56MCL-BZ** Built-in Buzzer LED Steady



**QT56MCL series**

Built-in buzzer output holes formed on the housing of the product.



### **QT56MCL** Multiple Color LED Steady

- Helps reduce the costs of installation by reducing the space needed to emit seven color signals in a single warning light
- Elegant design with hexagon shaped metal housing
- Aluminum housing provides excellent durability
- Soft LED illuminates designated colors when on
- When off, milky translucent color lens provides a comfortable and stable viewing condition for workers in close proximity
- Folding type mount bracket can be utilized in various environments
- Built-in buzzer available (Volume : Max 90dB at 1m)
- Materials : Lens-PC, Housing-AI, Mounting bracket-AI
- Ambient operating temperature : -30°C to +60°C
- Protection rating : Standard type-IP44, Built-in Buzzer type-IP23

Model number	Voltage	Current	Certificates	Weight	Color
QT56MCL Steady	DC24V	Max 0.08A	-	0.45kg	7 Colors
QT56MCL-BZ Steady /w built-in buzzer			CE	0.48kg	

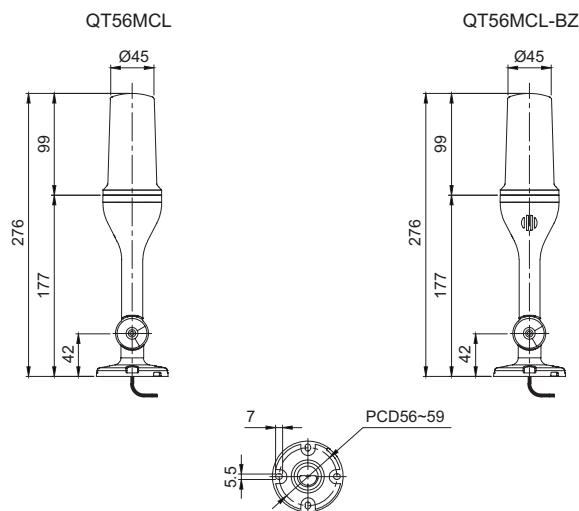
#### Signal/ Audible line current(Per each layer)

Voltage	DC24V
Signal line current	0.060A
Audible line current	0.020A



#### Technical Diagram

(Units : mm)



#### Wiring Instructions

- External signal line standard : Signal line 4P(R,G,B,K) threading, signal line standard UL1007 AWG22(0.3sq) 400mm
  - Product can be wired regardless of polarity
  - Please refer to Wiring Instructions diagram to properly configure color options
- ※ Please refer to page 281 for detailed wiring instructions.



#### Ordering Specification

<b>QT56MCL</b>	-	<b>24</b>
[Model number]		[Voltage]
<ul style="list-style-type: none"> <li>• QT56MCL</li> <li>• QT56MCL-BZ</li> </ul>		• 24-DC24V

# QT56MCL

## LED Steady Tower Lights

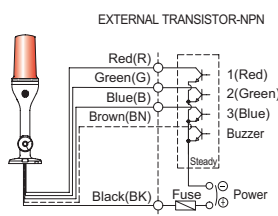
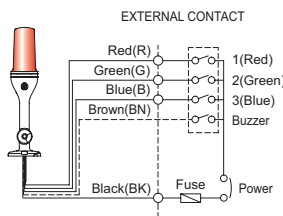


### Wiring Instructions

- QT56MCL can be wired by using both external contact and transistor.
- In case of wiring by transistor, please make sure if it is NPN type or PNP type. Please carefully follow wiring instructions below.
- Product can be wired regardless of polarity.

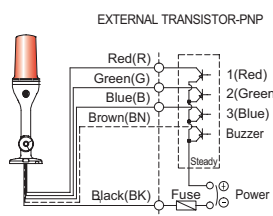


QT56MCL



< Wiring Configuration for Signal Color >

No.	Color	Wiring
1	Red	1(Red)
2	Green	2(Green)
3	Blue	3(Blue)
4	Amber	1(Red)+2(Green)
5	Cyan	2(Green)+3(Blue)
6	Purple	1(Red)+3(Blue)
7	White	1(Red)+2(Green)+3(Blue)



- External signal line standard : Signal line 4P(R,G,B,K) threading, signal line standard UL1007 AWG22(0.3sq) 400mm

### Signal Color Options



- 7 Color modes available via wiring

You can configure seven color signals by combining the 4 signal wires (red, green, blue, black) attached to the tower light.



Warning/  
Signal/  
Stackable



Signal &  
Electric Horn/  
Speakers



Vessels and  
Heavy-Duty  
Equipment



Explosion  
Proof



Warning  
Light Bar



Aviation  
Obstruction  
Lights



Signal Tower  
Lights



USB/ETN  
Signal Tower  
Lights



Wireless  
Network  
System



Electric Horn/  
Speakers



Industrial  
LED Lights