

Q100L series

Ø100mm LED Steady/ Flashing Signal Lights



Q100L



Q100LW

Wall mount type models allow for contained and tidy wiring with no exposed wires.



Common Specifications(Q100L/ Q100LW/ Q100LP)

- Standard-sized signal lights of Ø100mm with attractive appearance
- Shock and vibration-resistant, maintenance reduced with long-lasting energy-efficient LED light source
- Selectable mounts available depending on your application environment (direct mount, wall mount, pole mount)
- Features high visibility with special diffusive lens and direct LED light distribution system
- Built-in buzzer available (Volume : Max 80dB at 1m)
- Built-in switches for steady and flashing light function mode
- Flashing rate : 60-80 flashes/min
- Materials : Lens-PC, Housing-ABS, Bracket-PC
- Ambient operating temperature : -30°C to +50°C
- Protection rating : IP65
- Certificates : CE Compliant, UL Listed
- Compliant with RoHS directive

Model number	Voltage	Current	Certificates	Weight	Color
Q100L Q100LW Q100LP	DC12V-24V	Max 0.255A	DC only	• Q100L-0.28kg • Q100LW-0.70kg • Q100LP-1.22kg (Weight Above Include QZ24)	• R-Red • A-Amber • G-Green • B-Blue
	AC110V-220V	Max 0.067A	DC only		

* DC type model has a free-voltage range of 10V-30V.

* AC type model has a free-voltage range of 100V-240V.



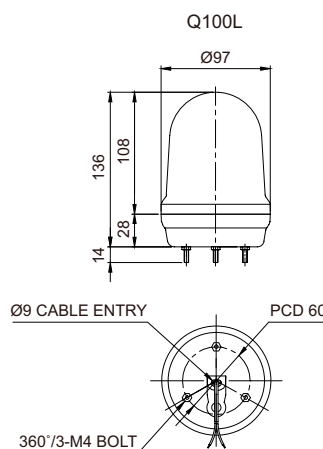
Q100L Direct Mount LED Steady/ Flashing Signal Light

- Direct mount type with the three bolts/screws located on the bottom of the product



Technical Diagram

(Units : mm)



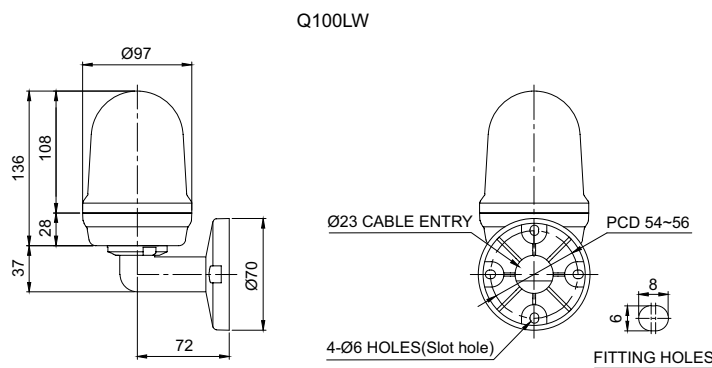
Q100LW Wall Mount LED Steady/ Flashing Signal Light

- Wall mount type with the bracket equipped



Technical Diagram

(Units : mm)



Q100L series

Ø100mm LED Steady/ Flashing Signal Lights



Q100LP

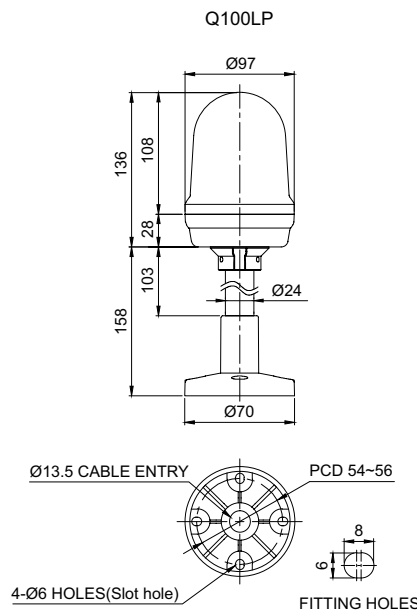
The picture for QZ24 equipped



Q100LP Pole Mount LED Steady/ Flashing Signal Light

- Pole mount type
- Selectable mounting bracket available depending on the installation requirements

Technical Diagram (Units : mm)



Wiring Instructions

- External power line standard : UL1015 AWG18(0.75sq)×2C 400mm
- Product can be wired regardless of polarity

Mounting Bracket

Standard	QZ24	SZ24	SL24	QLA24
Steel	PC	Al	Al	PC



※ Please refer to page32-37 for detailed dimension of mount bracket.

Customization

- Customized pole length available

Ordering Specification

Q100LP	-	BZ	-	12/24	-	R	-	SZ24
[Model number]		[Buzzer option]		[Voltage]		[Color]		[mount bracket]
• Q100L • Q100LW • Q100LP		• None - No buzzer • BZ - Built-in buzzer		• 12/24 -DC12V-24V • 110/220 -AC110V-220V		• R-Red • A-Amber • G-Green • B-Blue		• None - Standard • Bracket - QZ24 - SZ24 - SL24 - QLA24

