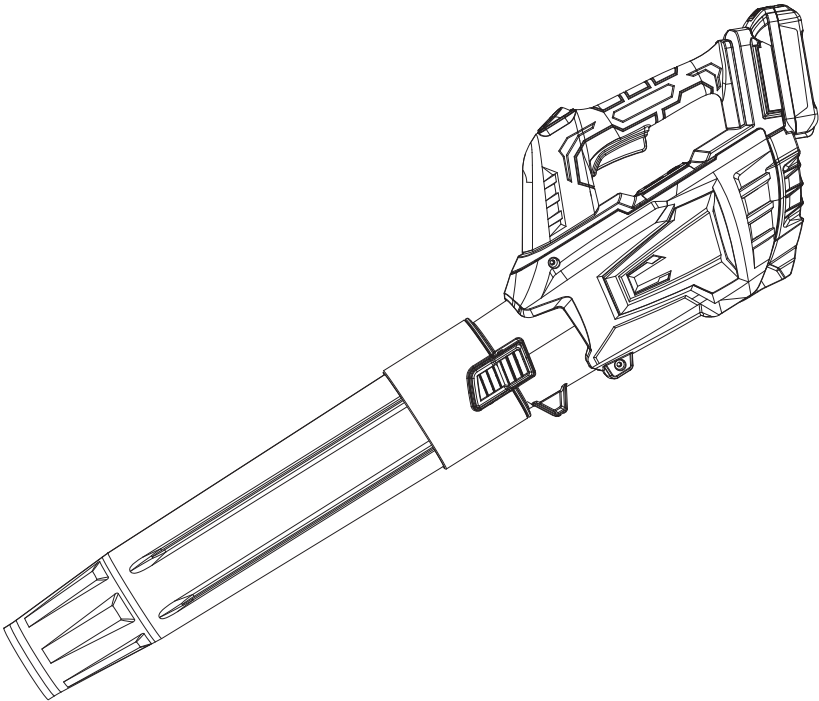




# Electric Leaf Blower User Manual



**Model No: STLB-2001**

# OVERVIEW

## Features

- Cordless
- Turbocharging
- Battery level display
- Super large air volume mode

## APPLICATIONS

- Blow debris or grass clippings off driveways, sidewalks, patios, parks, parking lots, etc.
- Gather grass clippings, straws, or leaves into piles. Remove debris from corners, around joints, and between bricks.

# SAFETY INSTRUCTIONS

**⚠Warning!** Please read safety warnings and instructions before using this product. Failure to follow these warnings may result in electric shock, fire, or serious injury.

# READ BEFORE USE

By using this product, you signify that you have read, understand, and accept the terms and conditions here.

## Read the following documents before using.

- (1) Safety Guidelines
- (2) Quick Start Guide
- (3) User Manual

It is recommended to watch all tutorial videos on the official Anykit website and read the safety guidelines before using.

Prepare for your first use by reviewing the quick start guide and refer to this user manual for more information.

## VIDEO TUTORIALS

Scan the QR code to watch the STLB-2001 tutorial videos, which demonstrates how to use the STLB-2001 safely.



## ONLINE MANUAL

Scan this QR code to get the manual in PDF, which can be enlarged and viewed on your mobile device.



# TABLE OF CONTENTS

1. ABOUT ANYKIT-----	1
2. SPECIFICATIONS-----	2
3. KNOW YOUR PRODUCT-----	3
4. ASSEMBLY-----	4
4.1. Preparing to Assemble the Blower-----	4
4.2. Blower Tube Assembly-----	4-5
5. PREPARATIONS-----	5-8
5.1. Check the Battery Pack Capacity-----	6
5.2. Charging the Battery-----	7
5.3 Battery Assembly-----	8
6. OPERATION-----	9
7. MAINTENANCE-----	9
7.1. Cleaning-----	9
7.2. Battery Maintenance-----	10
7.3 Charger Maintenance-----	10
7.4 Storage-----	11
8. TROUBLESHOOTING-----	13
9. WARRANTY-----	15
10. CUSTOMER SUPPORT-----	16

## ABOUT ANYKIT

Anykit is a trendy and practical tool brand. We focus on simplicity and ease of use, providing people with convenience in their everyday lives. Our products include leaf blowers, endoscopes, and various household tools to enable DIY enthusiasts to embrace creativity and convenience.



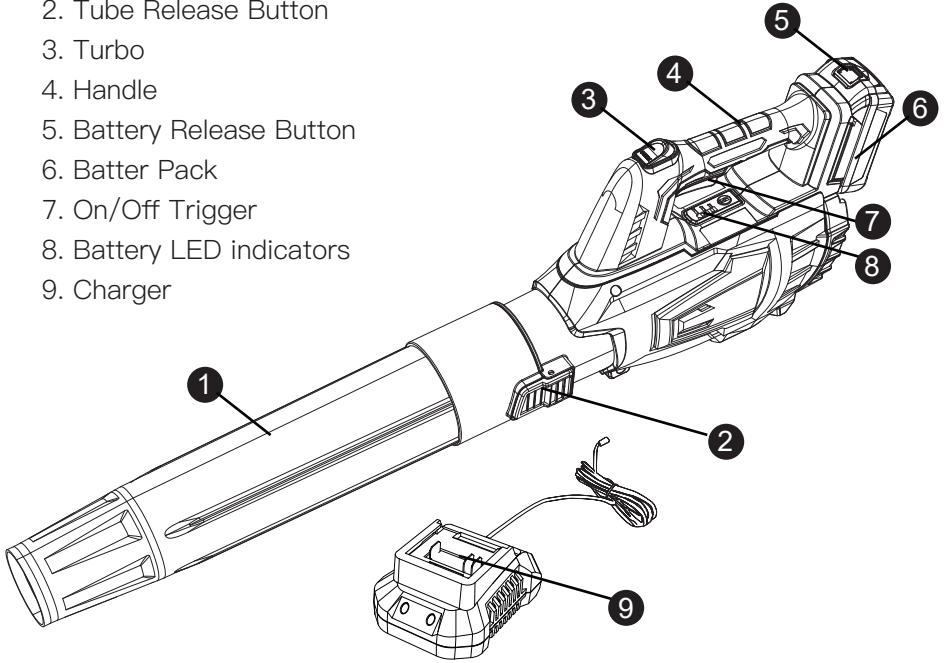
Follow Anykit on Amazon for More

## SPECIFICATIONS

Model:	STLB-2001
Voltage:	20V
No load speed:	13000-16000r/min
Max air volume:	331.25 CFM (9.38 m <sup>3</sup> /min)
Max air speed:	88.4 MPH(39.5m/s)
Capacity of battery:	3.0Ah(2 PACK)
Charger input:	100-240V 50/60Hz 1.5A
Charger output:	5V 2.0A
Permitted charging temperature range (for charger):	23°F-122°F (-5°C~50°C)
Run time:	16 minutes(Low speed) 7 minutes(High speed)
Charging time:	Approx. 90min (for one battery pack)
Sound power level:	76 dB (Low speed) 92 dB(High speed)
Product weight (without battery pack):	4.54 lbs
Leaf blower recommended operating temperature:	32°F-104°F(0°C-40°C)
Battery pack recommended storage temperature:	32°F-176°F(0°C-80°C)

# KNOW YOUR PRODUCT

1. Blower Tube
2. Tube Release Button
3. Turbo
4. Handle
5. Battery Release Button
6. Batter Pack
7. On/Off Trigger
8. Battery LED indicators
9. Charger



On/Off Trigger	Starts or stops the blower
Turbo Button	Amplifies the air velocity to the maximum
Battery-Release Button	Releases the battery pack from the blower
Tube Release Button	Releases the tube from the blower
Battery LED indicators	Shows the battery level at 40%, 70%, and 100%

# ASSEMBLY

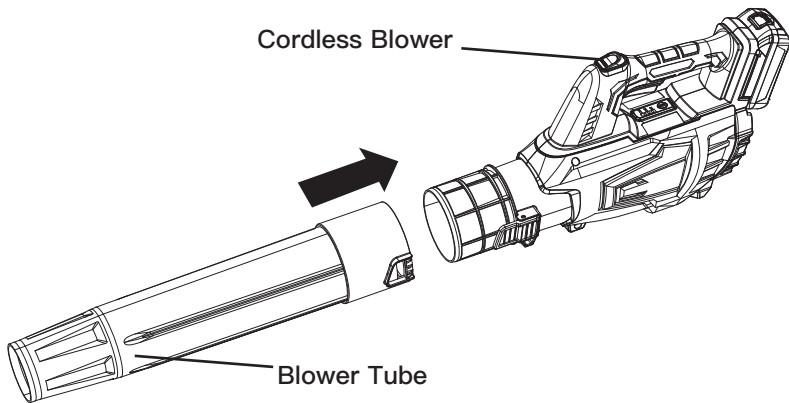
## Preparing to Assemble the Blower

Take care not to lose any instructions. These provide important information which will be required while attached the blower.

- Remove all parts of the cordless blower from the box and carefully remove all packaging.
- Keep all packaging until the blower is fully assembled and has been operated successfully.
- Always recycle the packaging in accordance with local recycling regulation.

## Blower Tube Assembly

Align the groove in the tube with the knob on the blower housing. Slide the nozzle over the blower outlet opening until the latch on the blower is inserted into the opening on the nozzle and snaps into place.

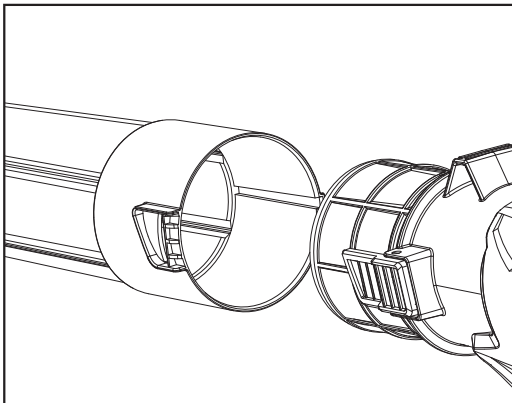
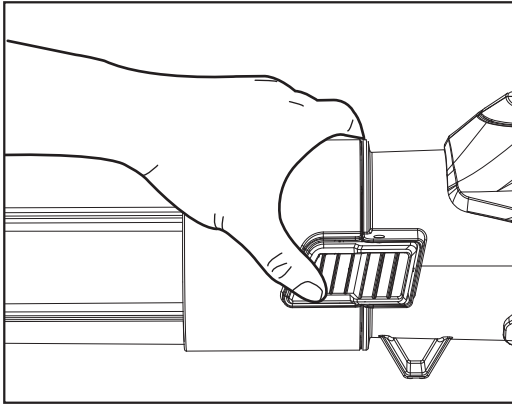




# ASSEMBLY

## Blower Tube Assembly

To remove the tube, press and hold the tube-release button to disengage the latch, then pull the tube straight from the blower.

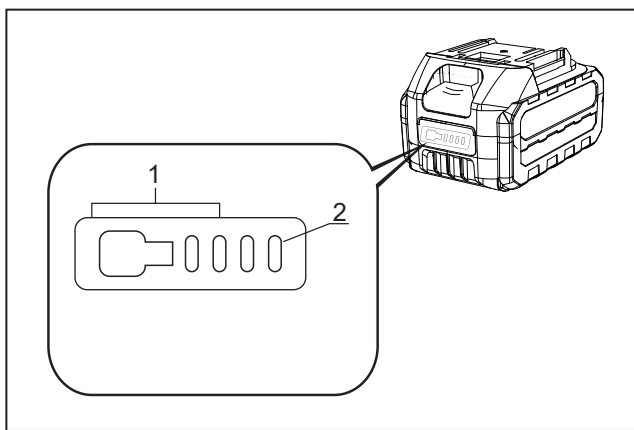


# PREPARATIONS

## Check the Battery Pack Capacity

Battery LED indicators

Check the battery pack capacity by pressing the button.



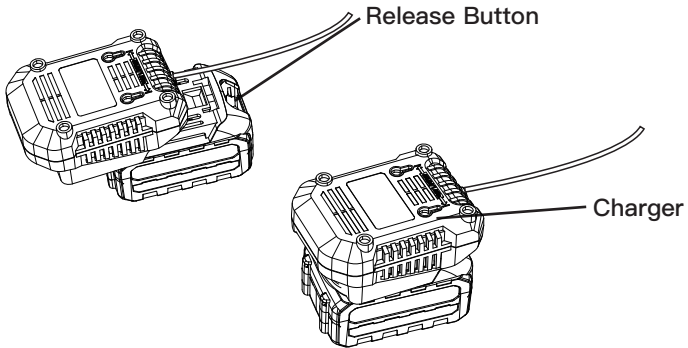
► 1. Indicator lights 2. Button

Indicator lamps		Remaining capacity
On	Off	
■ ■ ■ ■		75% to 100%
■ ■ ■ □		50% to 75%
■ ■ □ □		25% to 50%
■ □ □ □		0% to 25%

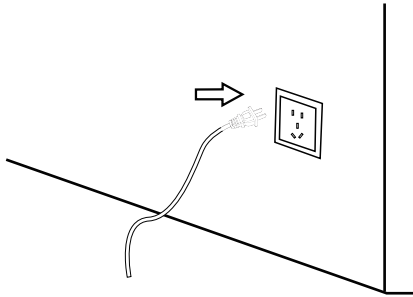
# PREPARATIONS

## Charging the Battery

1. Align the battery pack with the slots on the charger and slide it until it locks in place.



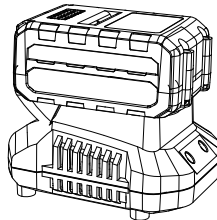
2. Plug the charger cord into a suitable socket.



3. When the charging indicator turns green disconnect the charge from the power supply.

Charger indicator lights

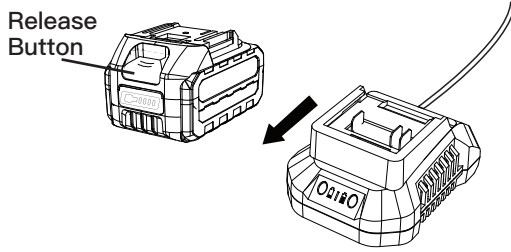
- Red light: charging
- Green light: fully charged



# PREPARATIONS

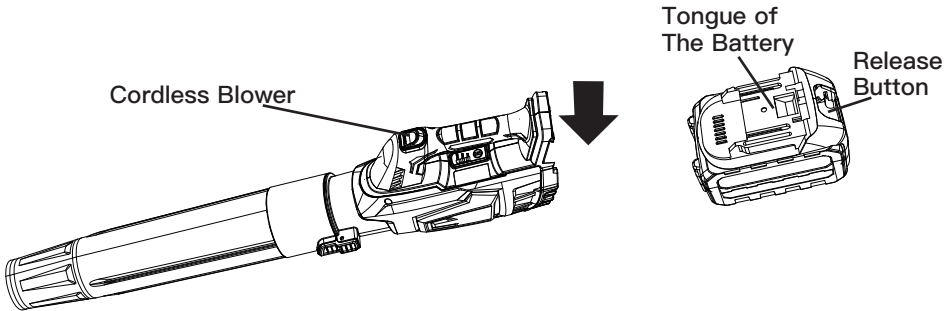
## Charging the Battery

4. Press the release button on the battery pack and remove the battery from Charger.



## Battery Assembly

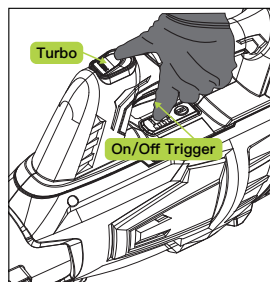
Push the battery pack into the handle until the latch locks into place.



# OPERATION

## Switching On/Off

1. Press the On/Off trigger to turn on the blower.
2. Press and hold the On/Off Trigger and Turbo button simultaneously for high-speed operation.
3. Release the On/Off trigger to turn off the blower.



## USER TIPS:

Hold the blow tube approx 7" above the ground when operating the blower. Use a sweeping motion from side to side. Advance slowly keeping the accumulated debris/leaves in front of you. After blowing the debris/leaves into a pile, it is easy to dispose of the pile.



# MAINTENANCE

## Cleaning

- Remove the battery pack.
- Brush or blow dust and debris out of the air vents using compressed air or a vacuum. Keep the air vents free of obstructions, sawdust, and wood chips. Do not spray, wash, or immerse the air vents in water.
- Wipe off the housing and the plastic components using a moist, soft cloth. Do not use strong solvents or detergents on the plastic housing or plastic components. Certain household cleaners may cause damage or a shock hazard.

# MAINTENANCE

## Battery Maintenance

- Store the battery pack fully charged.
- Recharge the battery pack whenever there is a noticeable reduction in the performance.
- Do not allow the battery pack to become completely discharged.
- Do not recharge a battery pack that is already fully charged. Overcharging shortens battery life.
- Once the battery pack is fully charged, remove the battery from the charger and disconnect the charger from the outlet.
- Do not store the battery pack on the tool or in the charger.
- Recharge the battery at a temperature between 5°C and 50°C. If the battery pack is hot, allow it to cool down before recharging.

## Charger Maintenance

Keep the charger clean and clear of debris. Do not allow foreign material into the recessed cavity or on the contacts. Wipe with a dry cloth. Do not use solvents, or water, or place in wet conditions.

- Always unplug the charger when there is no battery pack in it.
- Give the batteries a full charge before placing them in storage. Do not recharge a fully charged battery pack. Overcharging shortens the battery life.
- Recharge the battery pack whenever there is a noticeable reduction in the performance. Never let the batteries become completely discharged.
- Keep the charger stored at normal room temperature. Do not store it in excessive heat. Do not store in direct sunlight.
- Disconnect the charger from the AC power outlet when not in use and once the battery has reached a full charge.

# MAINTENANCE

## Storage

- Store idle tools. When not in use, the unit should be stored in a dry, high or locked-up place – out of reach of children.
- Keep the blower and its handle dry, clean and free from oil and grease. Always use a clean cloth when cleaning. Never use brake fluids, gasoline, petroleum-based products, or any strong solvents to clean your blower. Following this rule will reduce the risk of loss of control and deterioration of the enclosure plastic.
- Always remove the battery pack from the product when you are assembling parts, making adjustments, cleaning, or when the product is not in use.
- Shock Hazard. Do not pour or spray water on the blower in an attempt to clean.
- To avoid serious personal injury, always turn off the unit, disconnect the power supply and remove the battery pack from the product when cleaning or performing any maintenance.
- Avoid using solvents when cleaning plastic parts. Most plastics are susceptible to damage from various types of solvents and may be damaged by their use.
- Do not at any time let brake fluids, gasoline, petroleum-based products, penetrating oils, etc., come in contact with plastic parts. Chemicals can damage, weaken or destroy plastic which may result in serious personal injury.
- Please charge the battery pack, when not in use for over 3 months, to save battery life.

# MAINTENANCE

The recommended ambient temperature range:

Item	Temperature
Blower storage temperature range	32°F (0°C) – 113°F (45°C)
Blower operation temperature range	32°F (0°C) – 113°F (45°C)
Battery charging temperature range	39°F (4°C) – 104°F (40°C)
Charger operation temperature range	39°F (4°C) – 104°F (40°C)
Battery storage temperature	32°F (0°C) – 113°F (45°C)
Battery discharging temperature range	32°F (0°C) – 113°F (45°C)



# TROUBLESHOOTING

Problem	Possible Reason	Possible Solution
The blower doesn't work when new.	Battery pack is not installed properly.	Install the battery pack properly.
	Battery is empty.	Fully charge the battery pack.
The blower doesn't work.	The battery pack is depleted.	Fully charge the battery pack.
	The battery pack or blower is too hot.	Cool down the battery pack or blower
	The blower is operated in a manner that causes it to draw an abnormally high current.	Turn the blower off and stop the application that caused the tool to become overloaded. Then turn the tool on to restart.
The air velocity decreases.	The battery is low.	Fully charge the battery pack.
	Excessive wearing of motor fan.	Contact Our Customer Service Team.
	The air intake is blocked by debris.	
The machine does not start.	The power switch is defective.	Contact Our Customer Service Team.
	The motor is defective.	
	The PCB board is defective.	
Turbo button won't activate.	Not pressing the on/off trigger at the same time.	Press the on/off trigger and the turbo button at the same time.
The indicator does not light red when charging (The battery can not be charged).	No electricity supplied.	1. Change the outlet 2. Change the battery pack 3. Check if the charging cord is broken or loose
	Using incorrect electric current to charge.	Use correct electric current as recommended in "SPECIFICATIONS".

# TROUBLESHOOTING

Problem	Possible Reason	Possible Solution
The green light indicator is always on when charging.	The battery pack is too hot.	Wait for the battery to cool down.
The battery is out of power less in than 15 minutes.	Use in extreme temperatures, both hot and cold, can negatively impact battery performance.	Use the blower in our recommended operating temperature.
	Battery loss.	Maintain your battery pack as we recommended in "MAINTENANCE".
	Battery aging.	Change to a new battery pack.
	Prolonged use of turbo function.	Intermittent use of the turbo function is recommended (Continuous use of the turbo function lasts up to 7 minutes).
The battery starts bulging.	The battery may have been damaged from being dropped.	Stop using it and change to a new battery pack. Dispose of the used battery followed by our recommendations in "Environmentally Safe Battery Disposal".
Battery electrolyte overflow.	Physical damage or vibrations to the battery can disrupt the internal components, including the seals that contain the electrolyte.	Stop using and change to a new battery pack. Dispose of the used battery following our recommendations. Note: In case of accidental contact with electrolyte, please follow our recommendations in "Safety Warning and Instructions for Battery Pack".
Battery pack will not charge.	Battery pack not inserted into charger.	Insert battery pack into charger until LED appears.
	Charger not plugged in.	Plug charger into a working outlet. Refer notes for more details.
	Surrounding air temperature too hot or too cold.	Move charger and battery to a surrounding air temperature of above 40°F(4.5°C) or below 105°F(+40.5°C).

# WARRANTY

30-Day Guarantee	We will give you a full refund if you are not satisfied with the product.
One-Year Warranty	We offer a limited warranty that commences from the date of purchase of the product.



Visit [anykit.com](https://anykit.com) or scan the QR code for more details.

# CUSTOMER SUPPORT

If you have any questions or concerns about your product, please contact our Customer Support Team



1-877-888-7979  
Mon.–Fri. 8:00–5:00 PST(US)



support@anykit.com



www.anykit.com



@anykit



@anykit



Facebook Messenger



©ANYKIT STLБ-2001 D0104 V1.0  
3.06.06.002100