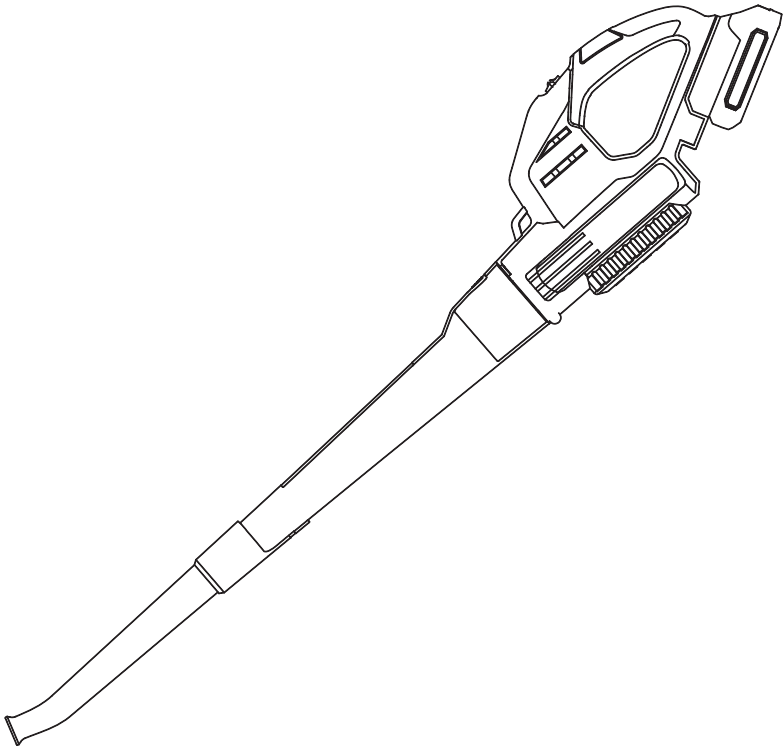




## Electric Leaf Blower User Manual



**Model No: AL001**

# READ BEFORE USE

By using this product, you signify that you have read, understand, and accept the terms and conditions here.

## Read the following documents before using.

- (1) Safety Guidelines
- (2) Quick Start Guide
- (3) User Manual

It is recommended to watch all tutorial videos on the official Anykit website and read the safety guidelines before using.

Prepare for your first use by reviewing the quick start guide and refer to this user manual for more information.

## VIDEO TUTORIALS

Scan the QR code to watch the AL001 tutorial videos, which demonstrates how to use the AL001 safely.



## ONLINE MANUAL

Scan this QR code to get the manual in PDF, which can be enlarged and viewed on your mobile device.



## ABOUT ANYKIT

Anykit is a trendy and practical tool brand. We focus on simplicity and ease of use, providing people with convenience in their everyday lives. Our products include leaf blowers, endoscopes, and various household tools to enable DIY enthusiasts to embrace creativity and convenience.



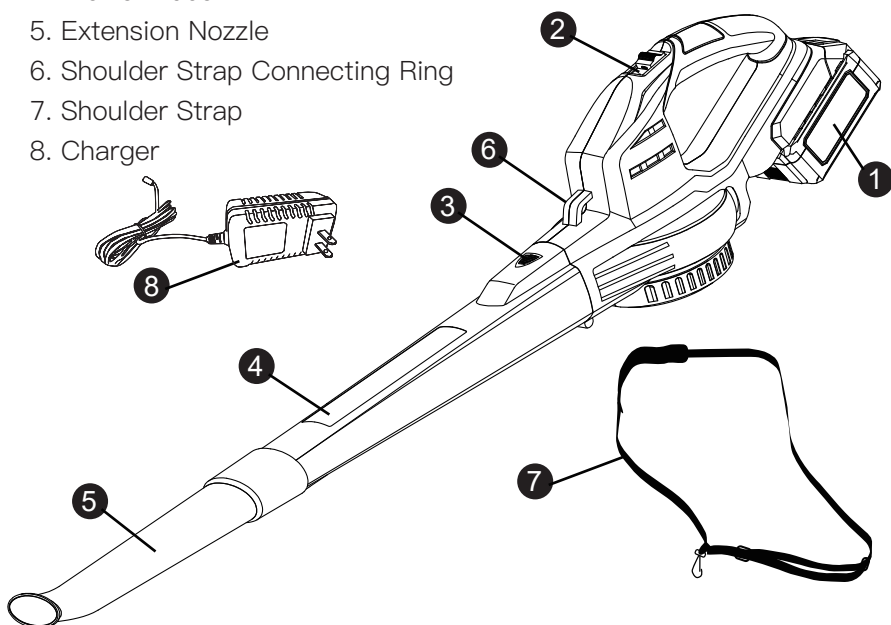
Follow Anykit on Amazon for More

## Dear Customer:

*Thank you for purchasing the ANYKIT Leaf Blower. Please read the Safety Warnings and Instructions carefully before use. This package includes a ANYKIT leaf blower, a blower tube, an extension nozzle, a strap, 2 x 2.0Ah batteries and a charger. Please make sure all the parts are included when first opening and check if they are in good condition. Do not discard the box until all accessories have been checked.*

# PRODUCT INTRODUCTION

1. Battery Pack
2. On/Off/Adjustment Switch
3. Tube Release Button
4. Blower Tube
5. Extension Nozzle
6. Shoulder Strap Connecting Ring
7. Shoulder Strap
8. Charger



# SPECIFICATIONS

No Load Speed:	12000-18000r/min
Voltage:	20V
Charging Electric Current:	1A Charger (US Standard)
Recommended Operating Temperature:	32°F-104°F(0°C-40°C)
Battery Pack Recommended Storage Temperature:	80°F-176°F(0°C-80°C)

# UNIT ASSEMBLY AND DISASSEMBLY

## **⚠ WARNING:**

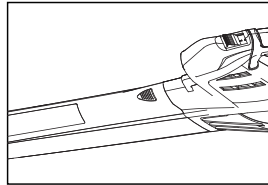
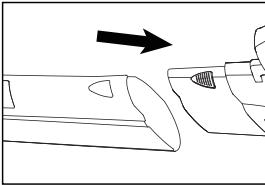
If any parts are damaged or missing, do not operate this product until the parts are replaced. Use of this product with damaged or missing parts could result in serious personal injury.

## **⚠ WARNING:**

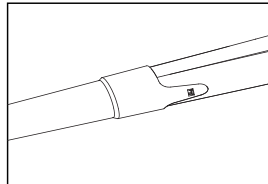
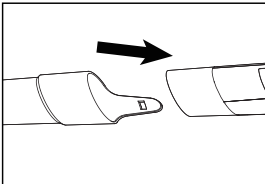
Always remove the battery pack from the product when you are assembling parts, making adjustments, cleaning, or when the product is not in use.

## Assemble the Blower Tube and Extension

1. Push the blower tube onto the blower housing until the latch snaps into place.

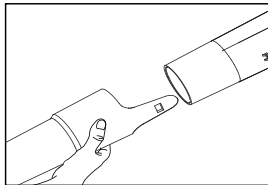
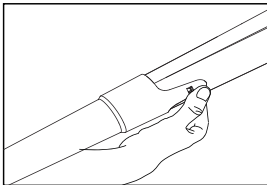


2. Push the extension nozzle onto the blower tube until the latch snaps into place.

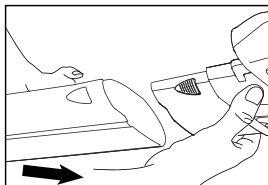
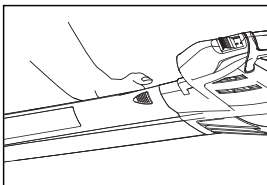


# Disassemble the Blower Tube and Extension Nozzle

1. Release the latch snaps and pull the extension nozzle out.



2. Press the tube release button and pull the blower tube out.



## BATTERY PACK ASSEMBLY AND DISASSEMBLY

### ⚠ CAUTION:

Always switch off the blower before installing or removing of the battery cartridge.

### ⚠ CAUTION:

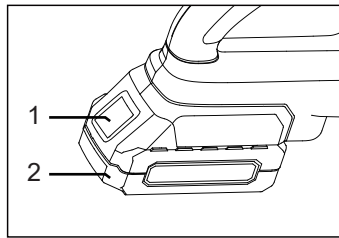
Hold the blower and the battery cartridge firmly when installing or removing the battery cartridge. Failure to hold the blower and the battery firmly may cause them to slip out of your hands and result in damage to the blower and battery cartridge or a personal injury.

## **⚠ CAUTION:**

Always install the battery cartridge fully until the click lock cannot be seen. If not, it may accidentally fall out of the tool, causing injury to you or someone around you.

## **Battery Pack**

1. Battery Release Button
2. Battery Cartridge



## **Assemble the Battery Pack**

Align the tongue on the battery cartridge with the groove in the housing and slip it into place. Insert it all the way until it locks in place with a little "click".

## **Disassemble the Battery Pack**

Press the battery release button and slide the battery cartridge away from the housing.

# OPERATION

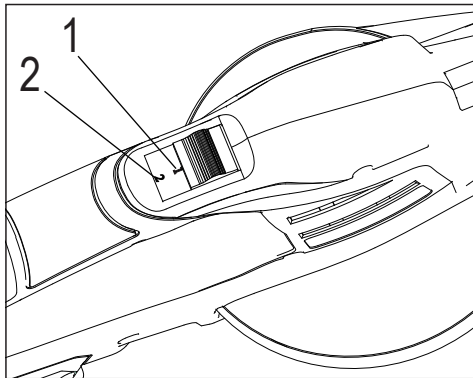
## ⚠ CAUTION:

Always wear safety glasses. Wear a filter mask in dusty conditions. The use of gloves, long pants and substantial footwear is recommended. Keep long hair and loose clothing away from openings and moving parts. THIS BLOWER IS FOR HOUSEHOLD USE ONLY.

## ⚠ CAUTION:

Before each use, inspect the entire product for damaged, missing, or loose parts, such as screws, nuts, bolts, caps, etc. Tighten all fasteners and caps securely and do not operate this product until all missing or damaged parts are replaced.

1. Your battery pack is uncharged, please charge it before use.
2. Move the On/Off switch to the "1" position to reach speed 1
3. Move the On/Off switch to the "2" position to reach speed 2
4. Move the On/Off switch to the "0" position to turn off the blower after use.





## USER TIPS:

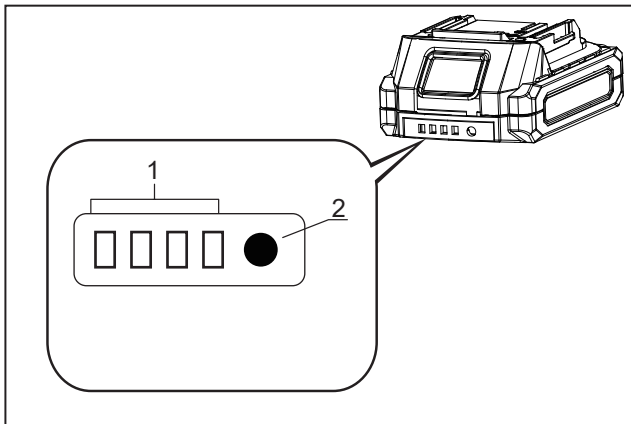
Hold the blow tube approx 7" above the ground when operating the blower. Use a sweeping motion from side to side. Advance slowly keeping the accumulated debris/leaves in front of you. After blowing the debris/leaves into a pile, it is easy to dispose of the pile.



## CHARGE THE BATTERY PACK







If the blower stops repeatedly, please check the remaining battery and charge the battery pack.

### Indicating the remaining battery (On battery pack)

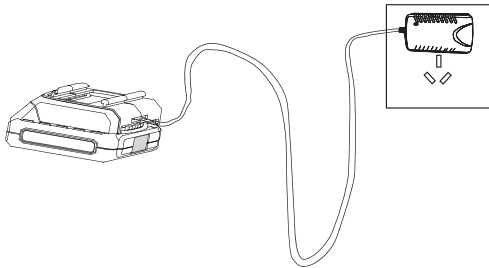


- 1. Indicator Lamps 2. Check Button

Press the check button on the battery cartridge to indicate the battery charge level. The indicator lamps light up for few seconds.

Indicator lamps		Remaining capacity
 Illuminated	 Off	
		75% to 100%
		50% to 75%
		25% to 50%
		0% to 25%

When battery is low, charge the battery pack with the charger.



Red Light	Charging
Green Light	Fully Charged



## Maintenance



### Cleaning

Please use only mild soap and a damp cloth to clean the blower.



### Storage

- Store the blower indoors in a place that is inaccessible to children. Do not store the tool on or adjacent to fertilizers or chemicals. Such storage can cause rapid corrosion of the metal parts.
- Store the blower under certain temperature and humidity as we recommend.

## WARRANTY

### 30-Day Guarantee

We will give you a full refund if you are not satisfied with the product.

### One-Year Warranty

We offer a limited warranty that commences from the date of purchase of the product.



Visit [anykit.com](http://anykit.com) or scan the QR code for more details.

# CUSTOMER SUPPORT

If you have any questions or concerns about your product, please contact our Customer Support Team



1-877-888-7979  
Mon.-Fri. 8:00-5:00 PST(US)



support@anykit.com



www.anykit.com



@anykit



@anykit



Facebook Messenger



©ANYKIT AL001 C1012 V1.0  
3.06.16.001200

Designed by Anykit in California  
Made in China