



- Smallest 1 button DALI module directly powered by 100VAC to 240VAC
- DALI driving capability up to 60 DALI members.
- Smallest power consumption 3 Watts max.
- Simply operate with Casambi.

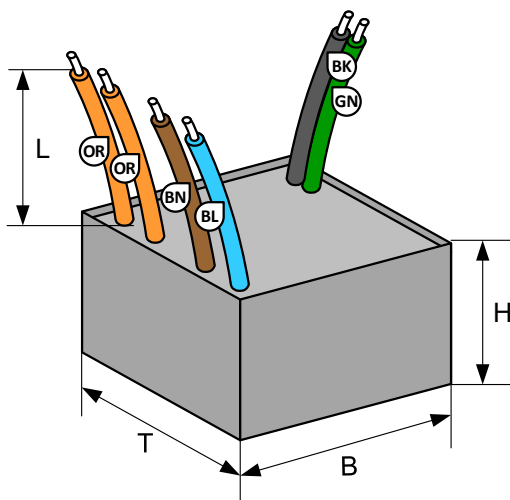
The DALI module LIGA.AIR.DALI.1K.1T.240 is directly controlled by the Casambi app.

The module is directly connected to 100-240 VAC line voltage. The DALI-BUS output has a capability to drive an output current up to 120mA. In addition, the module is able to sense 4 electrically isolated buttons for additional functionality of the Casambi application.

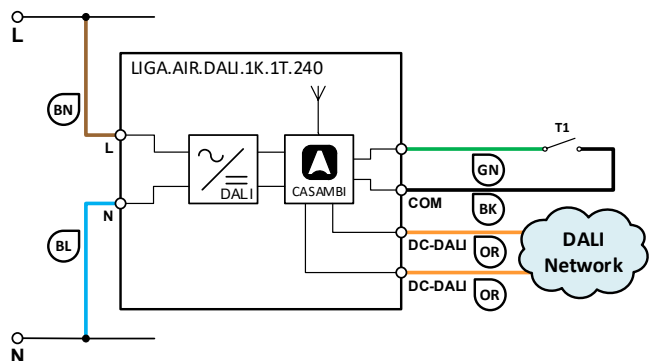
The module is capsuled in a black ABS housing with the dimensions of 38 x 38 x 26mm.

The extremely compact design of the housing allows an easy installation in flush-mounted boxes or in a cable duct.

Dimensional drawing:



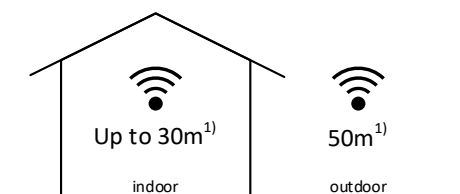
Schematics:



Installation only by a professional electrician according to the local regulations!

Technical specifications:

Dimension (T x B x H)	38 x 38 x 26mm
Weight	70g
Color	Enclosure schwarz
Mounting	In flush-mounted boxes or cable ducts etc.
Environmental conditions	Operation: Temperature -20 ... 50°C, humidity < 85%rH Stock: Temperature -25 ... 65°C, humidity < 95%rH
Protection type / Protection class	IP44, EN-60529 / Appliance Class II
Connections Power	Flexible 2 x 0.5mm ² (AWG20), L = 150mm: Brown (BN): L, phase conductor Blue (BL): N, neutral conductor
Connections DALI output	Flexible 2 x 0.34mm ² (AWG22), L = 150mm: 2 x Orange, DALI BUS voltage 17 Volt Output current 120mA max (for approx. 60 Dali members)
Connections 1 button	Flexible 2 x 0.34mm ² (AWG22), L = 150mm: Green (GN): T1, Black (BK): COM
Power supply ratings	100-240V~, 50-60Hz
Power consumption	3 Watts max
Standards	Low Voltage Directive (LVD) 2014/35/EU, EN 60669-2-1 Electromagnetic compatibility (EMC) 2014/30/EU
CASAMBI Modul Standards	Bluetooth 4.0 Wireless Control
Dimming and switching	Settable by the Casambi application (App Store, Google Play)
Applications	Dimming and switching of DALI devices, 1 channel or broadcast
Scope of delivery	1 DALI module

Compatible devices:**Range:****iPhone 4S** or later**iPad 3** or later**iPod Touch 5th gen** or later.**Android 4.4 KitKat** or later devices

produced after 2013 with full BT 4.0 support.

Casambi uses mesh network technology so each CBU-ASD acts also as a repeater.

Longer ranges can be achieved by using multiple Casambi units.

Range is highly dependent on the surrounding and obstacles, such as walls and building materials.

