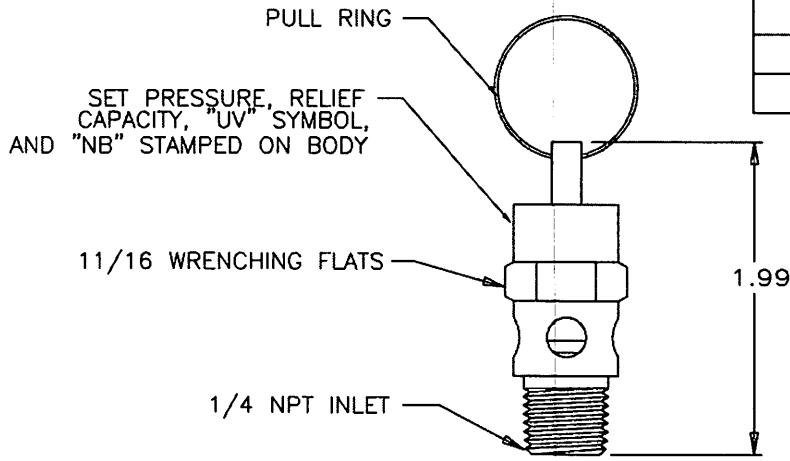


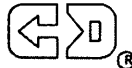
THIS DOCUMENT CONTAINS PROPRIETARY AND CONFIDENTIAL INFORMATION OF CONTROL DEVICES INC. AND MUST BE USED STRICTLY IN ACCORDANCE WITH THE LIMITED PURPOSE FOR WHICH IT WAS SUBMITTED. ANY REPRODUCTION, DISCLOSURE OR USE OF THIS DOCUMENT IS EXPRESSLY PROHIBITED, EXCEPT AS OTHERWISE AGREED IN WRITING.

DATE	SYM	REVISION RECORD	ECN NO.	CK.
4/97	C	ADDED NOTE 5		



NOTES

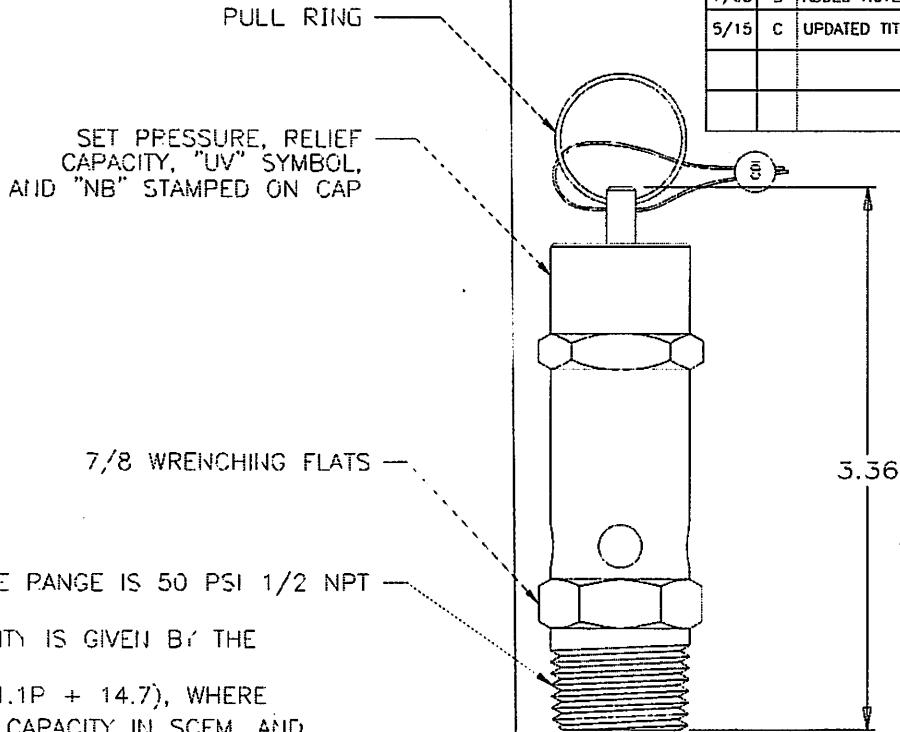
1. SET PRESSURE RANGE IS 25 PSI TO 350 PSI.
2. RELIEF CAPACITY IS GIVEN BY THE EQUATION  
 $Q = .759(1.1P + 14.7)$ , WHERE  
 Q = RELIEF CAPACITY IN SCFM, AND  
 P = SET PRESSURE IN PSI
3. MATERIALS OF CONSTRUCTION  
 BODY, ROD, CUP, SCREW--BRASS  
 SPRING--MUSIC WIRE  
 PAD--SILICONE OR FLUOROCARBON  
 PULL RING--STAINLESS STEEL
4. MAX TEMPERATURE 250° F
5. MAX INSTALLATION TORQUE 20 FT-LBS

TOLERANCES (EXCEPT AS NOTED)		 <b>control devices inc.</b> 711 HANLEY INDUSTRIAL COURT ST. LOUIS, MISSOURI 63144			
DECIMAL +		MATERIAL	SCALE FULL	SIZE A	DRAWN BY RMH
FRACTIONAL +			APPROVED BY		
ANGULAR ±		TITLE VALVE, ASME SAFETY, 1/4 NPT			
DATE 2/16/89	CAD FILE	DRAWING NUMBER			
C:\ACADWIN\PARTDWGS\ST25.DWG		ST25		REV C	

ALL DIMENSIONS ARE IN INCHES.

THIS DOCUMENT CONTAINS PROPRIETARY AND CONFIDENTIAL INFORMATION OF CONTROL DEVICES INC. AND MUST BE USED STRICTLY IN ACCORDANCE WITH THE LIMITED PURPOSE FOR WHICH IT WAS SUBMITTED. ANY REPRODUCTION, DISCLOSURE OR USE OF THIS DOCUMENT IS EXPRESSLY PROHIBITED, EXCEPT AS OTHERWISE AGREED IN WRITING.

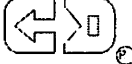
DATE	SYM	REVISION RECORD	CHG NO.	CHK.
3/94	A	REDRAWN ON AUTOCAD		
7/05	B	ADDED NOTE 5	05-334	
5/15	C	UPDATED TITLE BLOCK	15-164	



NOTES

1. SET PRESSURE RANGE IS 50 PSI 1/2 NPT TO 250 PSI
2. RELIEF CAPACITY IS GIVEN BY THE EQUATION  
 $Q = 1.526(1.1P + 14.7)$ , WHERE  
 $Q$  = RELIEF CAPACITY IN SCFM, AND  
 $P$  = SET PRESSURE IN PSIG
3. MATERIALS OF CONSTRUCTION:  
 BODY, NUT, CAP, ADJ. SCREW,  
 ROD, DISC -- BRASS  
 SPRING -- ZINC PLATED MUSIC WIRE  
 PULL RING -- STAINLESS STEEL  
 PAD -- SILICONE OR FLUOROCARBON  
 RUBBER  
 SEAL -- LEAD
4. MAX TEMPERATURE 250° F
5. ORIFICE DIA. = .375

ALL DIMENSIONS ARE IN INCHES.

TOLERANCES (EXCEPT AS NOTED)		 <b>control devices LLC</b> 1555 LARKIN WILLIAMS ROAD FEHTON, MISSISSIPPI 39206			
DECIMAL ± .005		MATERIAL	SCALE FULL	SIZE A	DRAWN BY RMH
FRACTIONAL ± .015					APPROVED BY
ANGULAR ± 2°		TITLE	VALVE, ASME SAFETY, 1/2 NPT		
DATE 2/12/93		CAD FILE	DRAWING NUMBER SF50		REV C
		Q:\Engr\DOC\Drawgs\Outline Drwgs- contr\SF50.DWG			