

THIS DOCUMENT IS THE PROPERTY
OF DESIGN PRODUCT
REPRODUCTION OR USE WITHOUT
PRIOR PERMISSION IS PROHIBITED

PDF.No. _____ DATED : _____

9 8 7 6 5 4 3 2 1

E

E

D

D

C

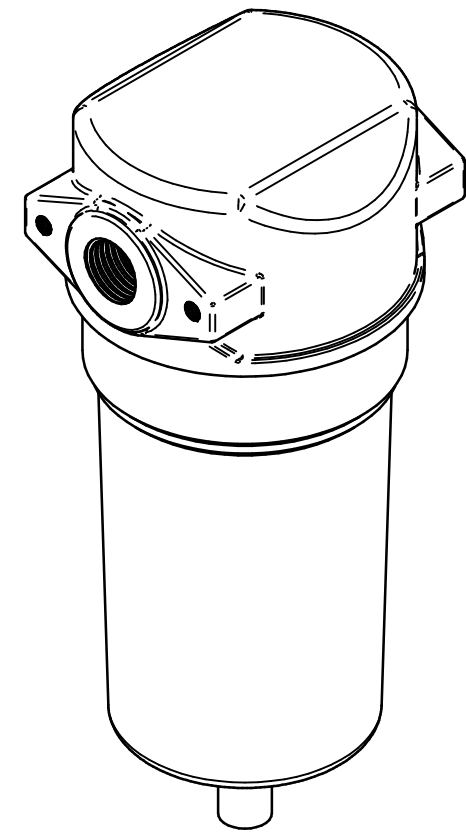
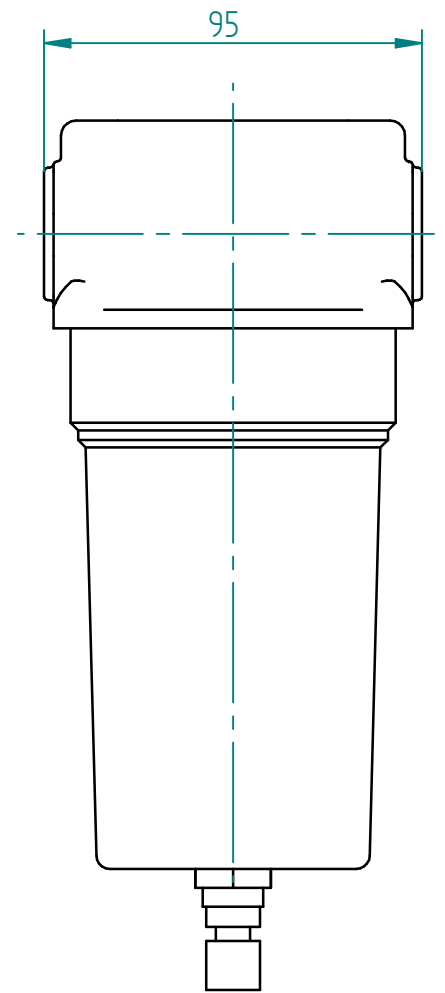
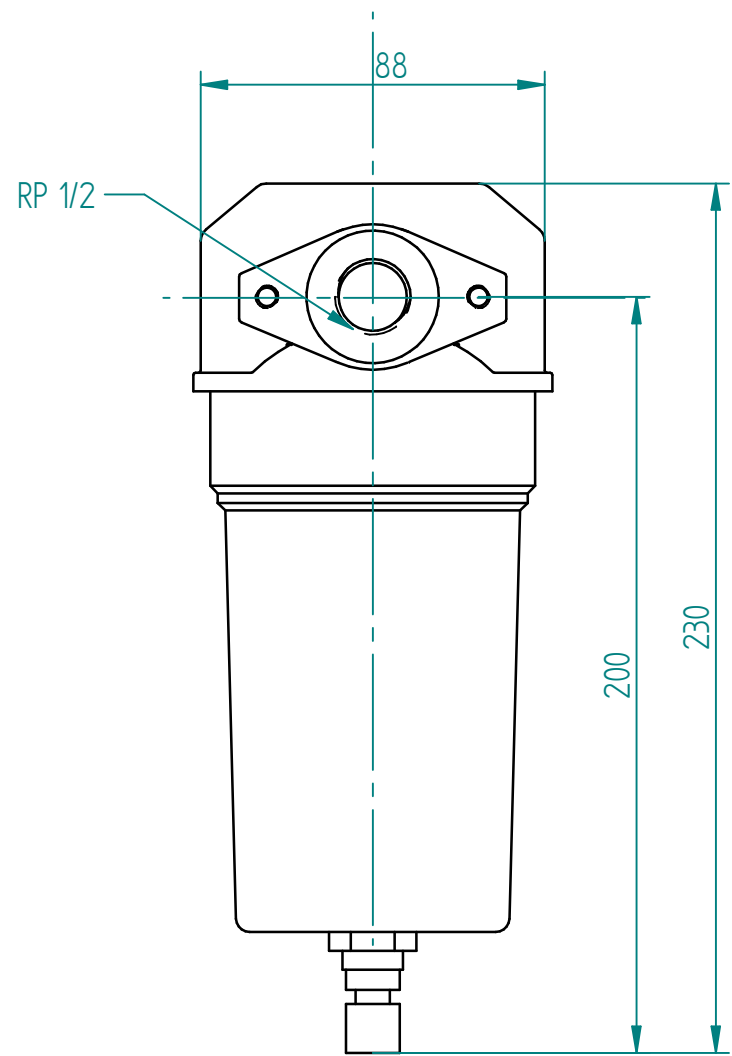
C

B

B

A

A

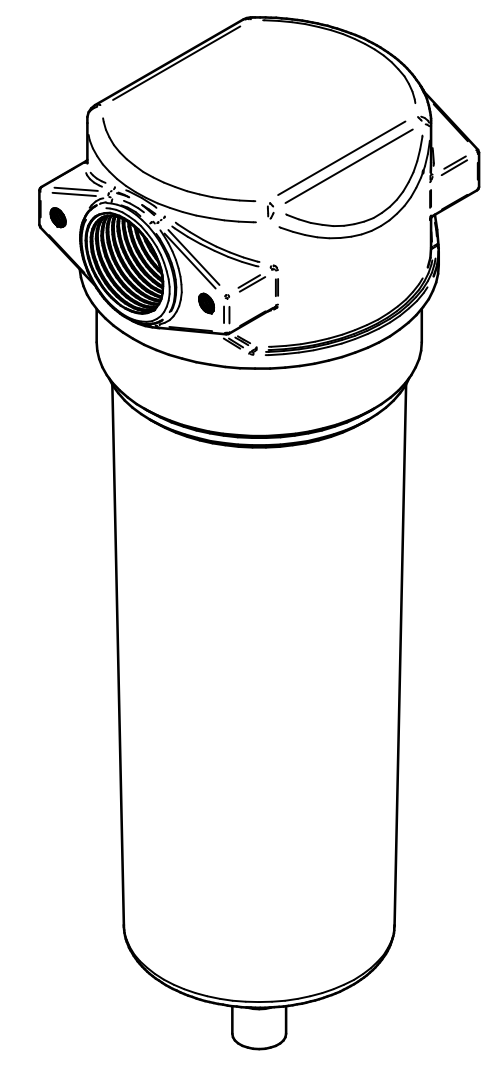
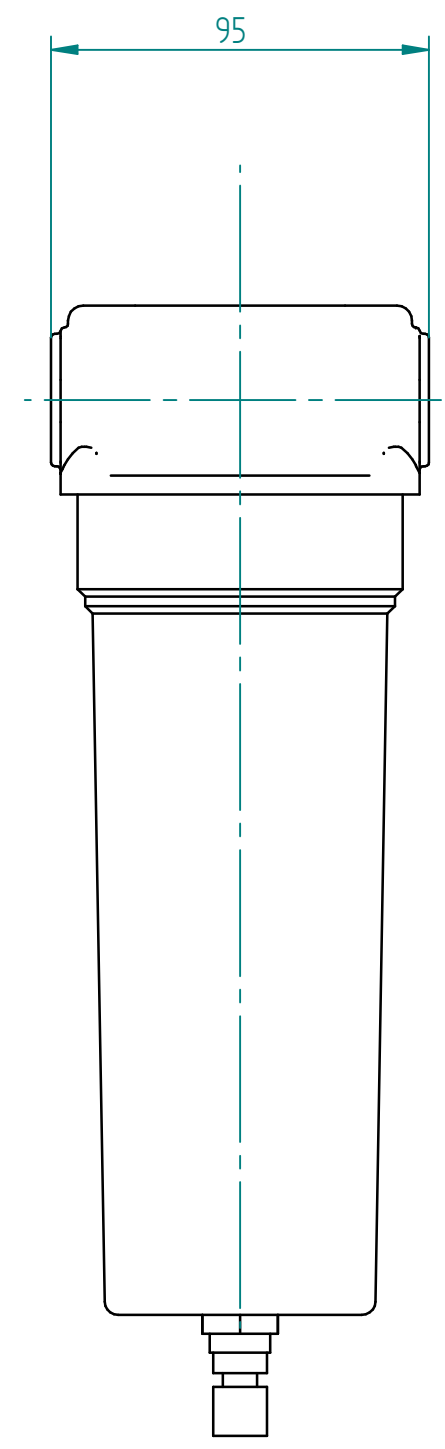
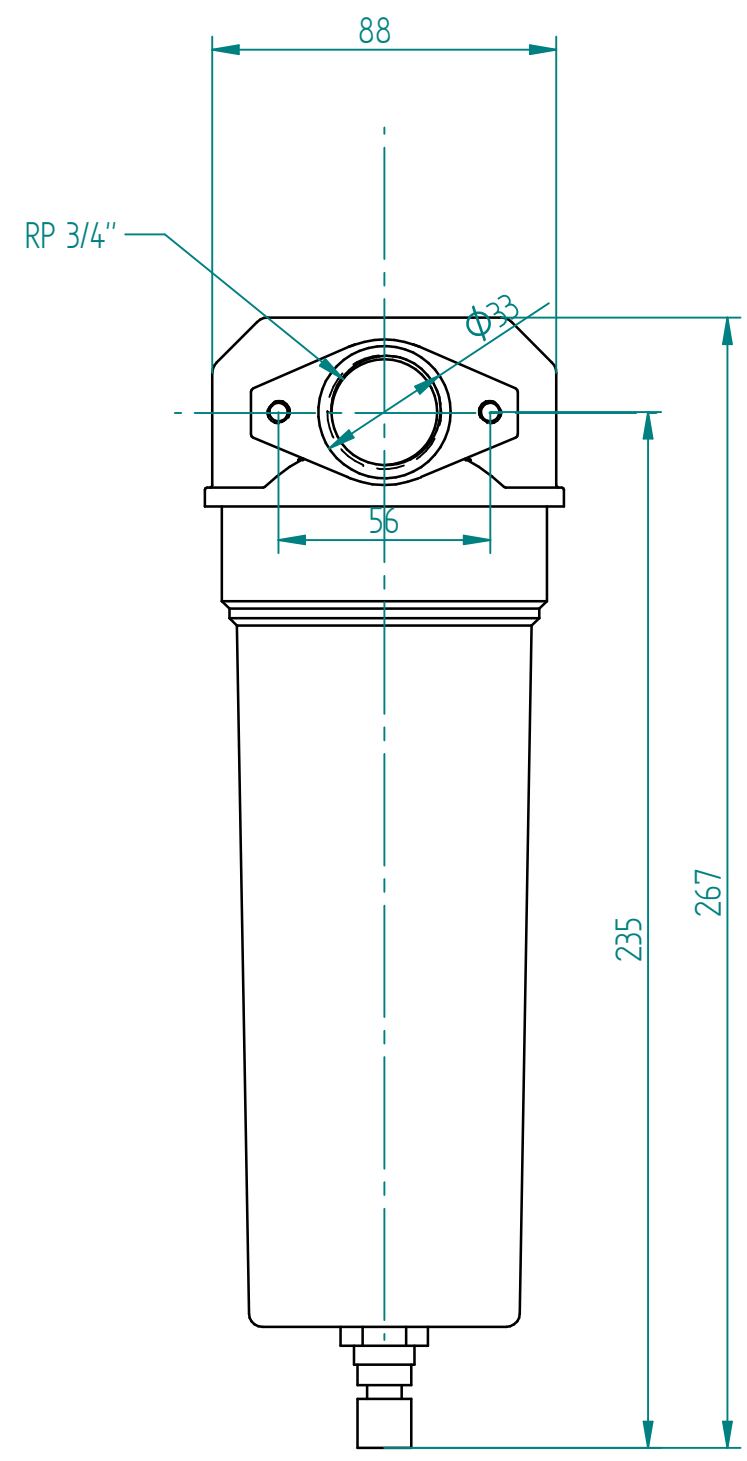


REV	0	AMENDMENT			SIGN	DATE
MAT'L :		QTY / SET:				
FINISH :		1 No				
DRAWN	AF	CHKD. 25.07.2023	APPD. 25.07.2023	ENGG	QA	
DATE :	25.07.2023.	CUSTOMER :			UNIT : mm	
MODEL :	-	DRG. NO.			SCALE : N.T.S.	
TITLE :	FSD-45-W Separator			PART CODE:		REV
USED ON :	-			SHEET 1 OF 1		

FILE PATH :-

THIS DOCUMENT IS THE PROPERTY OF DESIGN PRODUCT REPRODUCTION OR USE WITHOUT PRIOR PERMISSION IS PROHIBITED

PDF.No. _____ DATED : _____

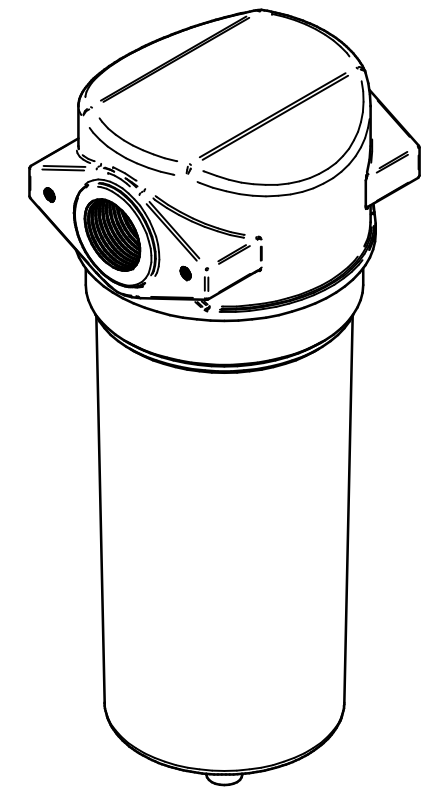
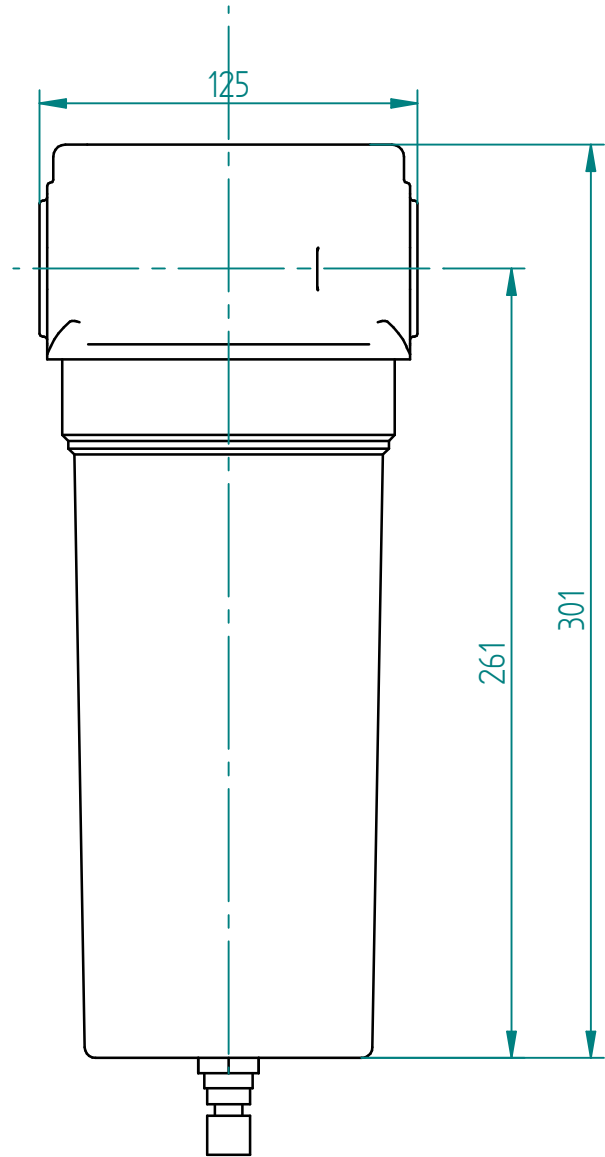
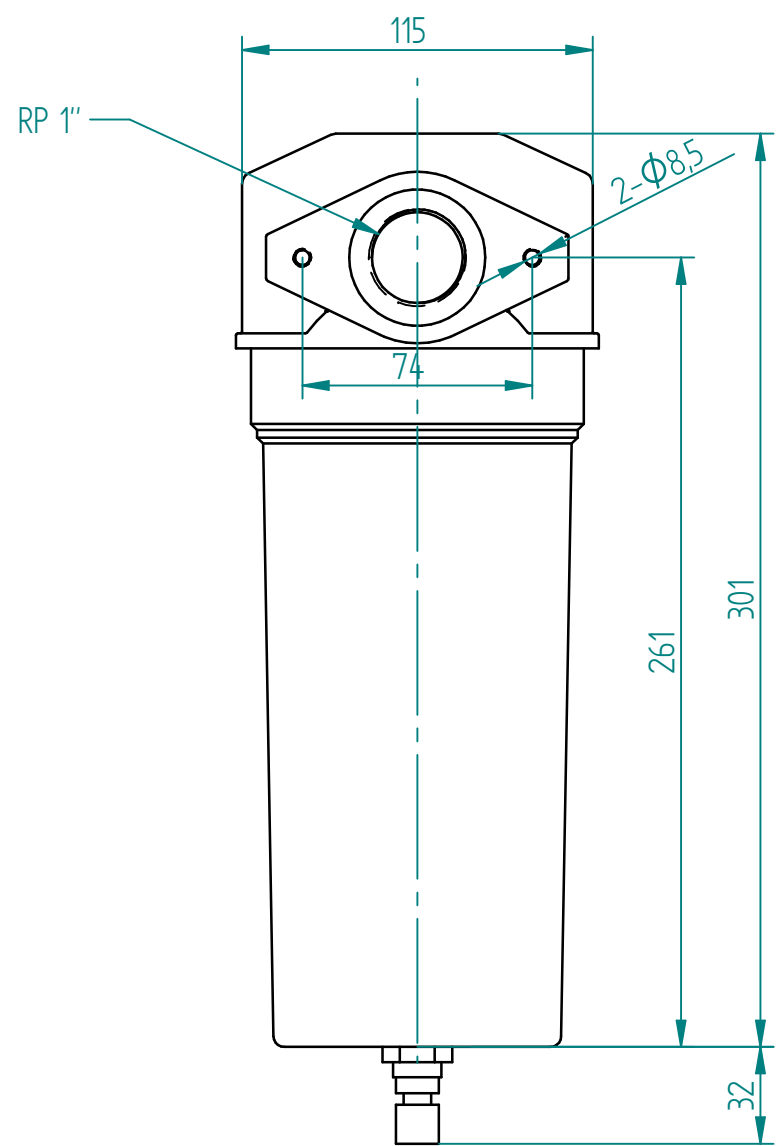


REV	0	AMENDMENT			SIGN	DATE
MAT'L :		QTY / SET:				
FINISH :		1 No				
DRAWN	AF	CHKD. 25.07.2023	APPD. 25.07.2023	ENGG	QA	
DATE :	25.07.2023.	CUSTOMER :			UNIT : mm	
MODEL :	-	DRG. NO.			SCALE : N.T.S.	
TITLE :	FSD-85-W Separator			DRG. NO.	REV	
USED ON :	-			SHEET 1 OF 1		

FILE PATH :-

THIS DOCUMENT IS THE PROPERTY OF DESIGN PRODUCT REPRODUCTION OR USE WITHOUT PRIOR PERMISSION IS PROHIBITED

PDF.No. _____ DATED : _____

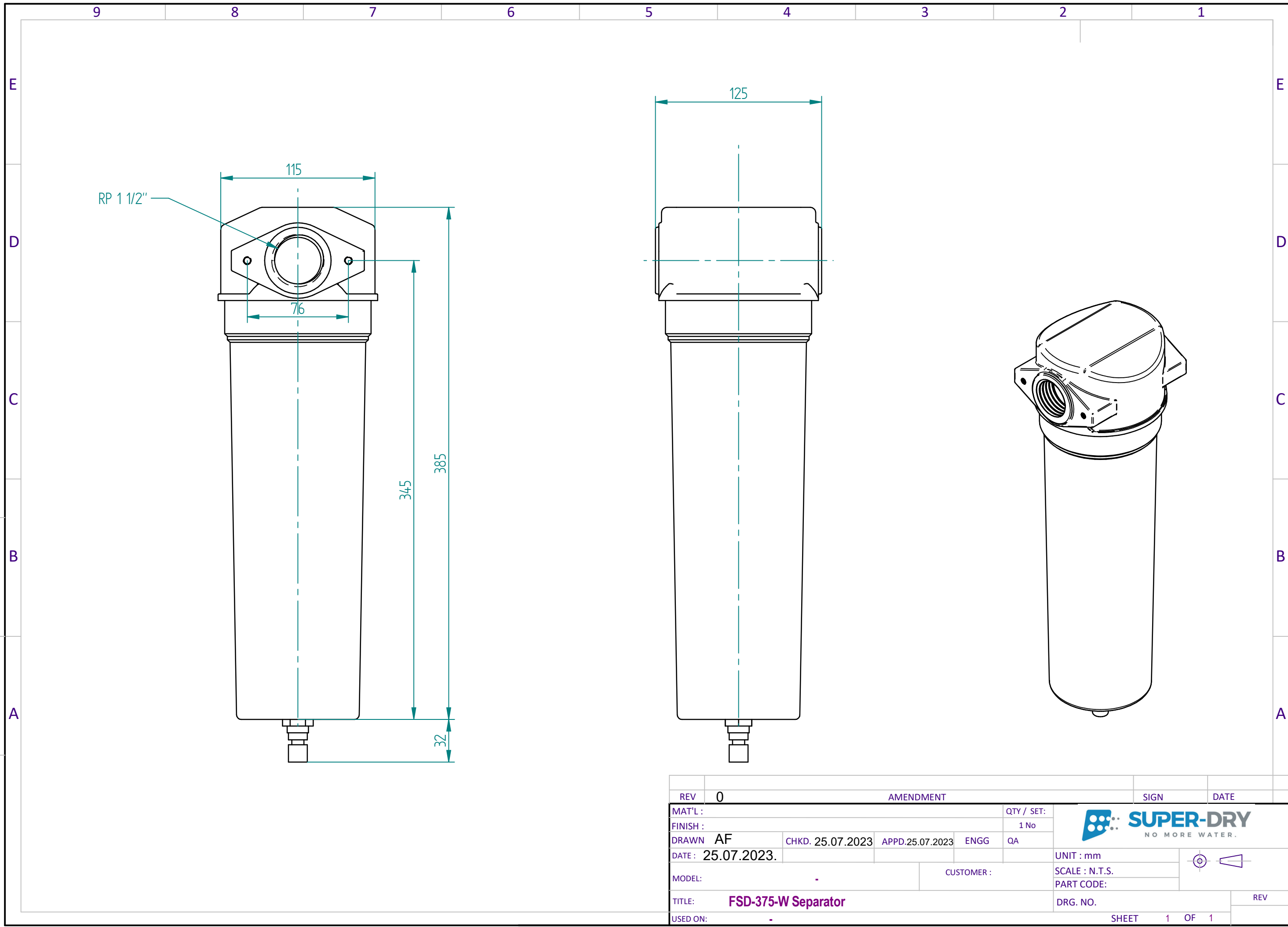


REV	0	AMENDMENT			SIGN	DATE
MAT'L :		QTY / SET:				
FINISH :		1 No				
DRAWN	AF	CHKD. 25.07.2023	APPD. 25.07.2023	ENGG	QA	
DATE :	25.07.2023.	CUSTOMER :			UNIT : mm	
MODEL :	-	SCALE : N.T.S.			PART CODE :	REV
TITLE :	FSD-185-W-Separator			DRG. NO.		
USED ON :	-	SHEET			1 OF 1	

FILE PATH :-

THIS DOCUMENT IS THE PROPERTY
OF DESIGN PRODUCT
REPRODUCTION OR USE WITHOUT
PRIOR PERMISSION IS PROHIBITED

PDF.No. _____ DATED : _____

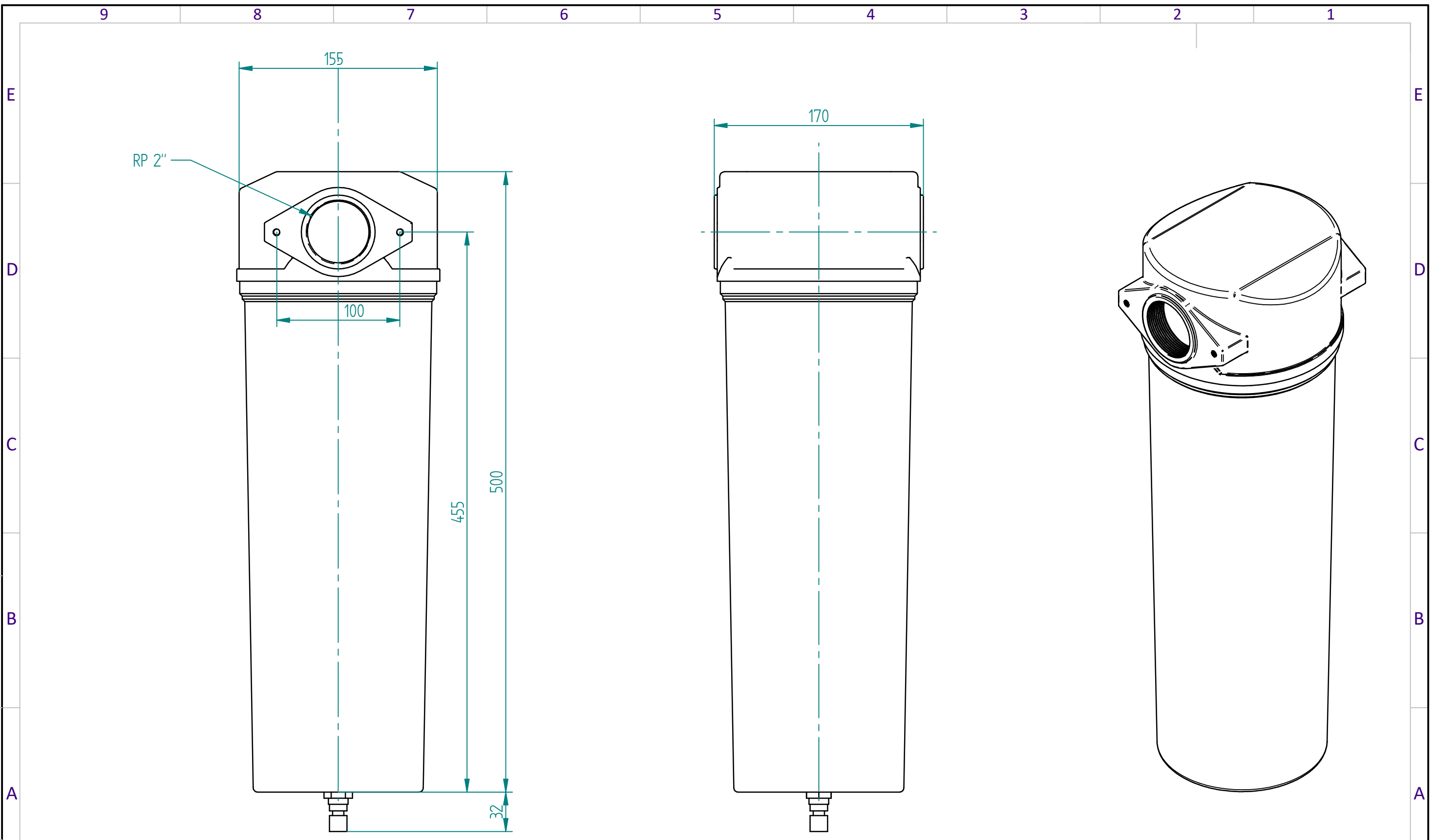


REV	0	AMENDMENT			SIGN	DATE
MAT'L :		QTY / SET:				
FINISH :		1 No				
DRAWN	AF	CHKD. 25.07.2023	APPD. 25.07.2023	ENGG	QA	
DATE :	25.07.2023.	CUSTOMER :			UNIT : mm	
MODEL :	-	SCALE : N.T.S.			PART CODE:	
TITLE :	FSD-375-W Separator				DRG. NO.	REV
USED ON :	-				SHEET	1 OF 1

FILE PATH :-

THIS DOCUMENT IS THE PROPERTY OF DESIGN PRODUCT REPRODUCTION OR USE WITHOUT PRIOR PERMISSION IS PROHIBITED

PDF.No. _____ DATED : _____



REV	0	AMENDMENT			SIGN	DATE
MAT'L :		QTY / SET:				
FINISH :		1 No				
DRAWN	AF	CHKD. 25.07.2023	APPD. 25.07.2023	ENGG	QA	
DATE :	25.07.2023.	CUSTOMER :			UNIT : mm	
MODEL :	-	SCALE : N.T.S.			PART CODE:	
TITLE :	FSD-515-W Separator			DRG. NO.	REV	
USED ON :	-			SHEET 1 OF 1		

FILE PATH :-