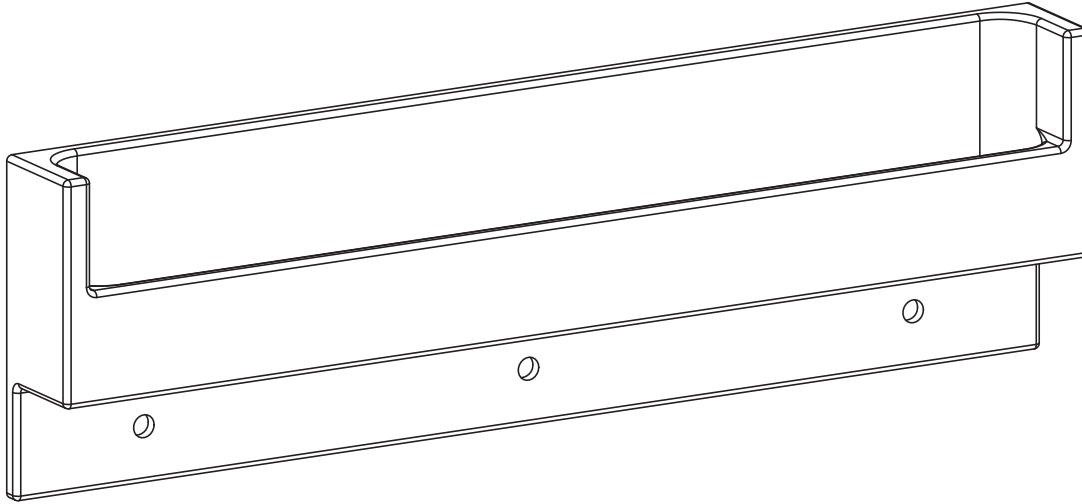


Install Instructions

Pull 04

200mm



Scan for
Australian
Warranty



Scan for
New Zealand
Warranty



Scan for
Product &
Finish Care
Information



Contact Us
Southern Design Group

Australia
14 - 16 Stepney Street,
Stepney, South Australia 5069
P: +61 (0)8 8362 1133
info@bankstonarchitectural.com.au
bankstonarchitectural.com.au

New Zealand
P: +64 (0)6 359 0008
info@bankstonarchitectural.co.nz
bankstonarchitectural.co.nz

SDG Trading Pty Ltd
trading as Bankston Architectural
ACN 008 154 041
ABN 18 008 154 041

*Image used for illustration
purposes only.

1. Select the place of installation. (Figure 1)
2. Affix the template below inside the drawer. (Figure 2)
3. Cut and remove the area indicated using your preferred method. If door / drawer thickness is more than 17mm you will need to recess the back of the drawer so the front will finish flush with the face. (Figure 3)
4. Drill appropriate sized pilot holes and fit screws from the inside of the drawer, ensuring you do not drill through the face of the drawer. (Figure 4)

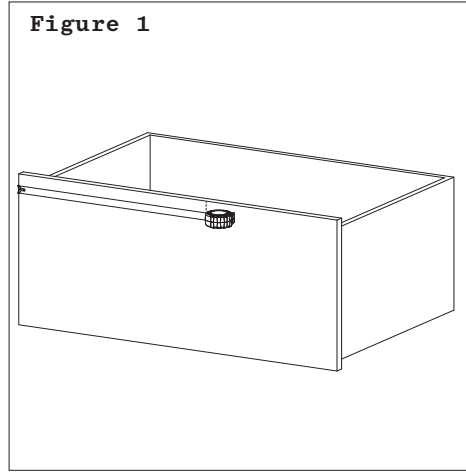


Figure 1

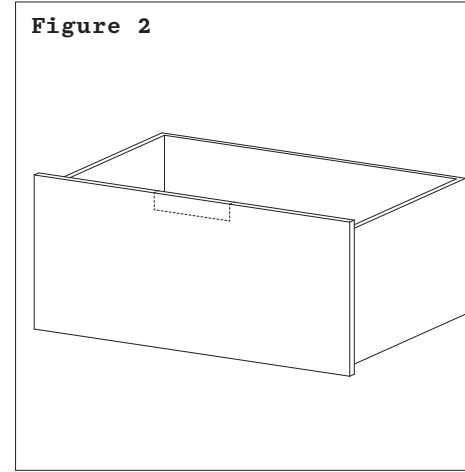


Figure 2

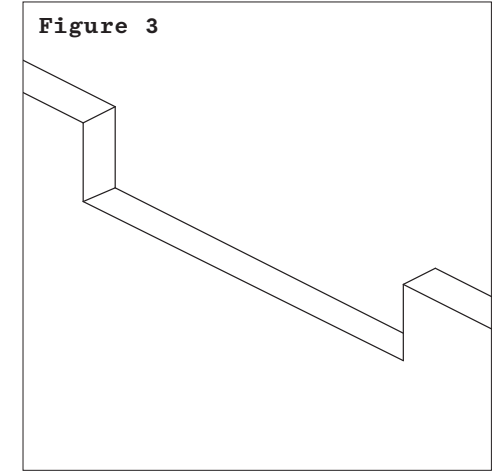
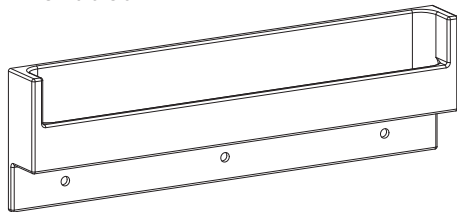


Figure 3

Inside of drawer pictured

Included



1. Pull



2. Wood Screws

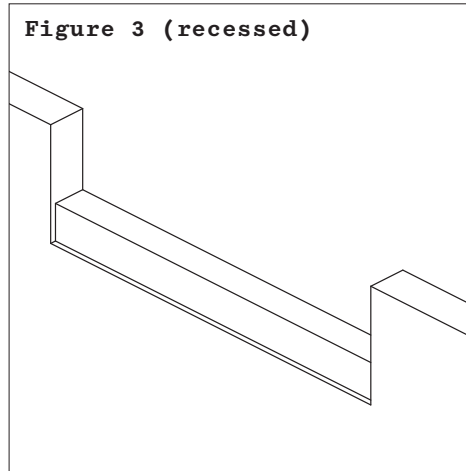


Figure 3 (recessed)

Inside of drawer pictured
(Drawer thickness great than 17mm)

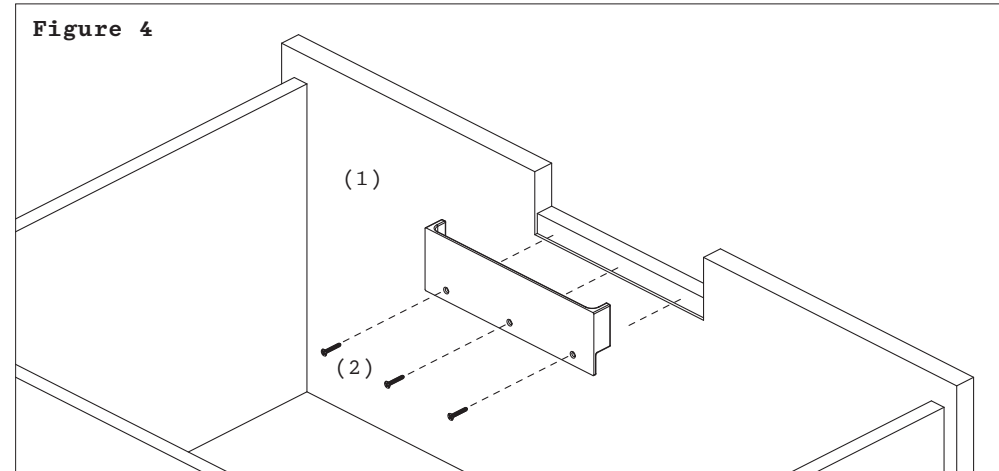
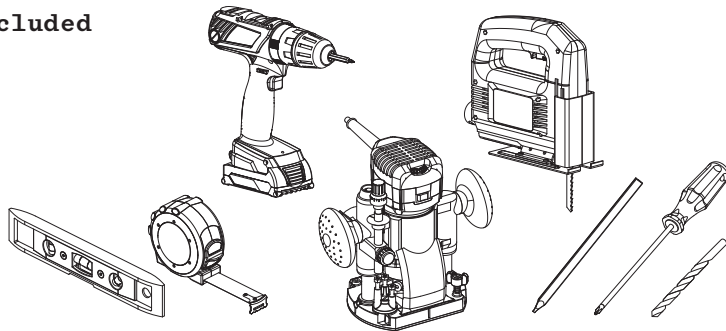


Figure 4

For number references please refer to included items on reverse.

Not Included



IMPORTANT:

Please install this hardware in the following order to ensure its warranty is not voided.

1. Install the hardware on raw/unfinished door/drawer using the instructions provided.
2. Remove hardware (where possible) and store safely. Do not place tape onto the hardware as this will damage the finish.
3. Paint / finish door.
4. Reinstall hardware.

Dimensions

