

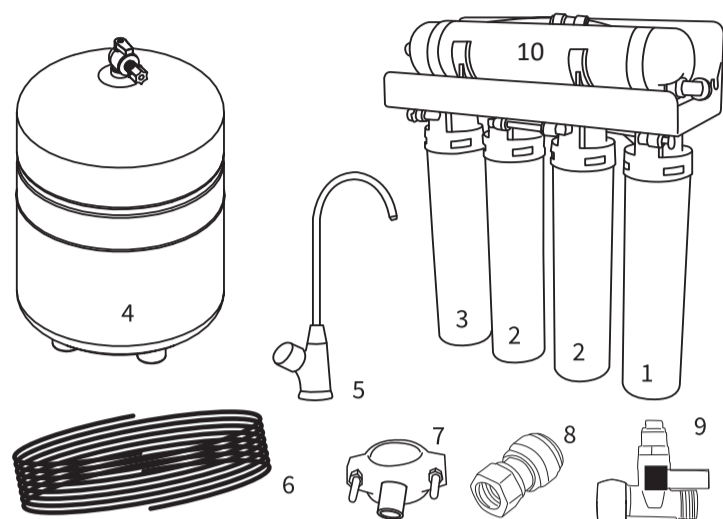
## FLASH RO QUICK INSTALLATION GUIDE

### INDEX

1. PACKAGE CONTENTS
2. INSTALLATION DIAGRAM
3. ASSEMBLY INSTRUCTIONS

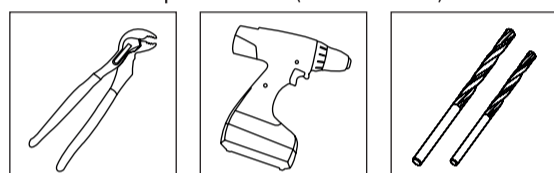
**!** For up to date installation manual and video walkthroughs, please visit <https://rkin.com/flash-ro>

### 1. PACKAGE CONTENTS AND REQUIRED TOOLS FOR INSTALLATION



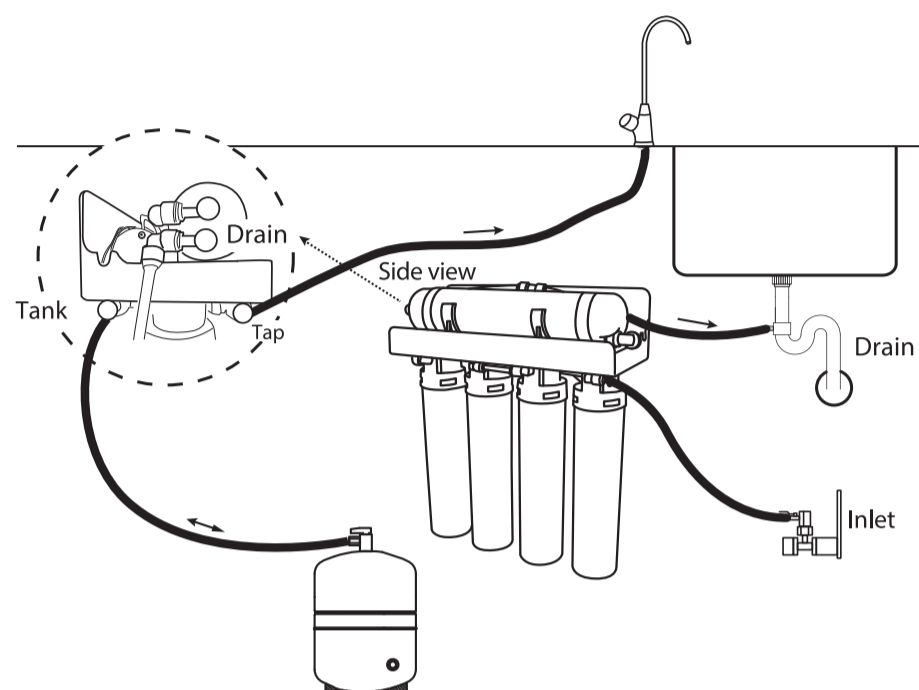
1. Sediment filter
2. Carbon filter
2. Carbon filter
3. Post filter
4. Pressure tank
5. Faucet
6. 1/4" tube
7. Drain clamp
8. Faucet adaptor
9. Water inlet valve
10. RO membrane

#### Required Tools (not included)



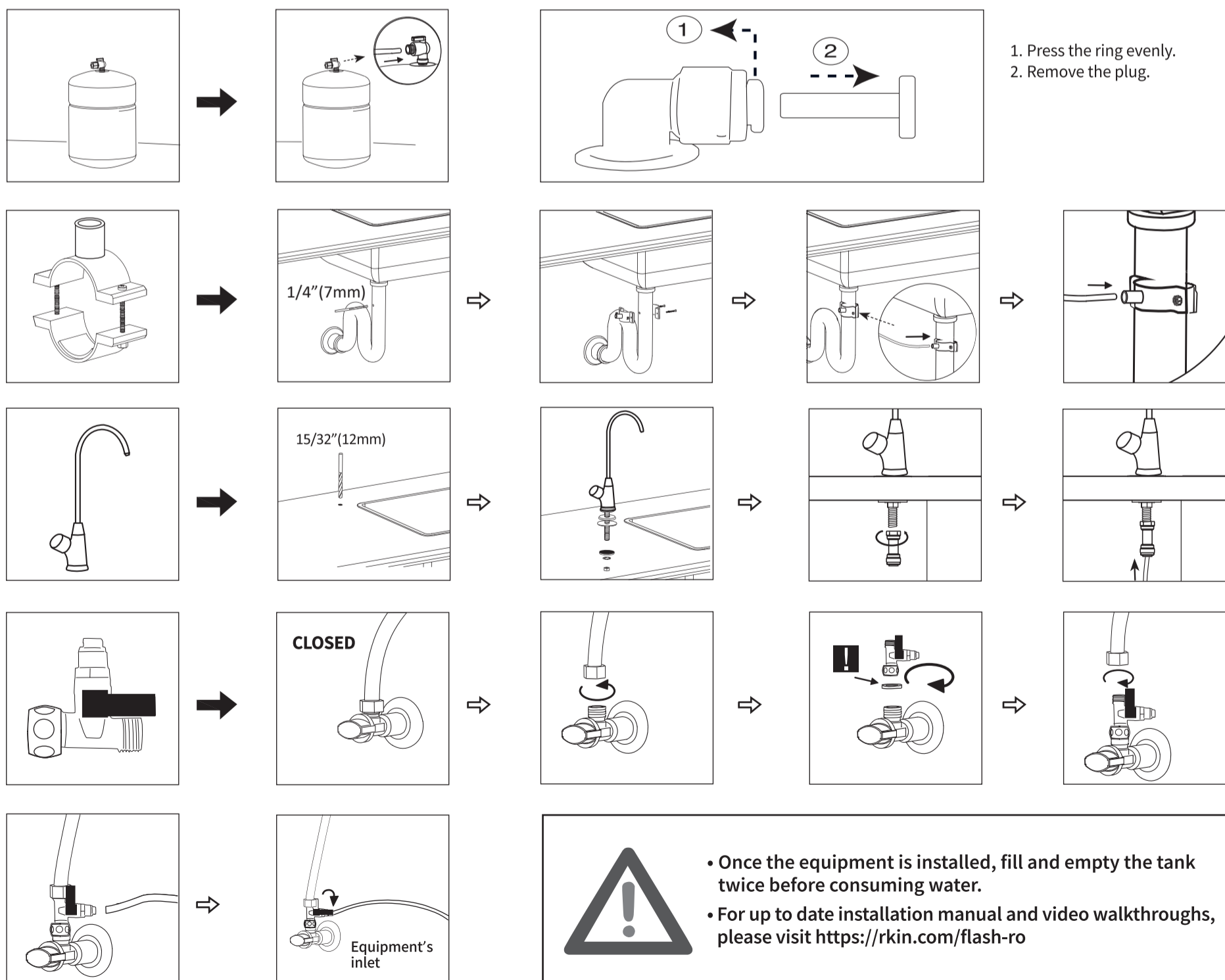
Vice grip pliers. Drill. 15/32" (12mm) and 1/4" (7mm)

### 2. INSTALLATION DIAGRAM



### 3. ASSEMBLY INSTRUCTIONS

#### Removal of safety plugs.



- Once the equipment is installed, fill and empty the tank twice before consuming water.
- For up to date installation manual and video walkthroughs, please visit <https://rkin.com/flash-ro>