

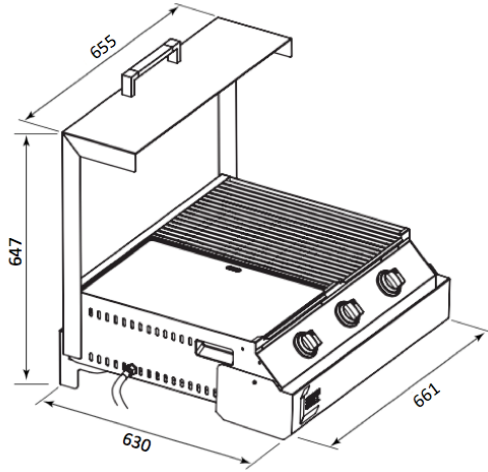


SPECIFICATIONS

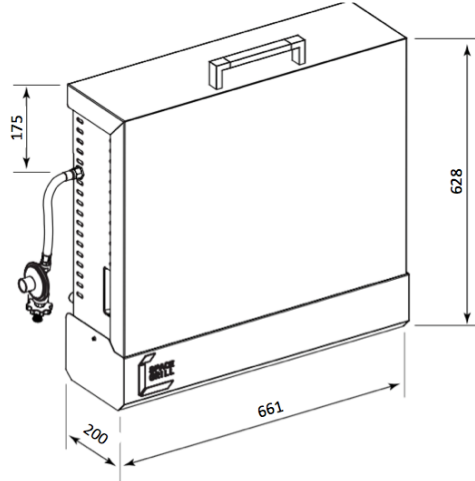
PRODUCT	
NAME	SPACEGRILL
MODEL	SGBBQ640TC
STYLE	FOLD-DOWN GAS BARBECUE
FEATURES	
STAINLESS STEEL BURNERS	3 HIGH PERFORMANCE BURNERS
INDIVIDUAL BURNER CAPACITY	3.5KW
TOTAL HEAT OUTPUT	10.5KW
TOTAL HEAT INPUT	37,500 BTU
IGNITION FUNCTION	PUSH & TURN
IGNITION TYPE	PIEZO CRYSTAL INDIVIDUAL ROTARY IGNITION
VALVES	THERMOCOUPLE VALVE WITH FLAMEFAIL SETTING
FUEL TYPE	BOTTLED LIQUID PETROLEUM GAS (BUTANE OR PROPANE) or NATURAL GAS as standard
GAS CONNECTION	PROPANE GAS VALVE PROVIDED or NATURAL GAS PROVIDED
COOKING GRATE / GRID	1 X 318mm X 483mm
REVERSIBLE GRIDDLE / HOTPLATE	1 X 320mm X 485mm
DRIP COLLECTOR	PATENTED REMOVABLE DRIP TRAY
SIDE TABLE	BAMBOO SIDE TABLE AVAILABLE SEPERATELY
COVER INCLUDED	1 X WATER RESISTANT CLOTH
DIMENSIONS	
OPERATING AREA	66.1 CM W X 63.0 CM D X 20.0 CM H (64.7 CM INCLUDING SPLASHBACK)
TOTAL COOKING AREA	64.0 CM W X 48.0 CM D
STORAGE AREA FOLDED DOWN	66.1 CM W X 20.0 CM D X 62.8 CM H
MATERIALS	
FIRE / COOKBOX	HIGH GRADE 443 STAINLESS STEEL
CONTROL PANEL	HIGH GRADE 443 STAINLESS STEEL
BURNERS	HIGH GRADE 304 STAINLESS STEEL
FLAME TAMER & CHANNEL	HIGH GRADE 443 STAINLESS STEEL
COOKING GRATE / GRID	HIGH GRADE 210 STAINLESS STEEL
GRIDDLE / HOTPLATE	CERAMIC COATED CAST IRON – FLAT & RIDGED (REVERSE SIDES)
REMOVABLE DRIP TRAY	HIGH GRADE 443 STAINLESS STEEL
LID / SPLASHBACK	HIGH GRADE 443 STAINLESS STEEL
WALL BRACKET	HIGH GRADE 443 STAINLESS STEEL
PROTECTIVE COVER	WATER RESISTANT CLOTH
ASSEMBLY	
ASSEMBLY REQUIRED	NO - PRE-ASSEMBLED only mounting of wall bracket
WEIGHTS	
TOTAL WEIGHT	35 KG
PIVOT WEIGHT	15 KG
LOAD REQUIREMENT: WALL / OTHER VERTICAL LOAD BEARING STRUCTURE	50 KG
CERTIFICATION	
CERTIFICATION	CE 845CR-0011 AGA GMK 10255

KEY MEASUREMENTS

Cooking mode



Storage mode



Installation position

