



SWIFT. SILENT. SECURE.

PONTOON DECK MOUNT ADAPTER PLATE INSTRUCTIONS

Hardware:

- A** (1) Deck Mount Adapter Plate
- B** (4) 3/8" x 1.75" Bolts
- C** (4) 3/8" x 7/8" Neo-bond Washers
- D** (4) 3/8" Heavy Thunder Washers
- E** (4) 3/8" Lock Nuts

Installation Tools:

- 9/16" Socket with Ratchet
- 9/16" Wrench
- 5/16" Drill Bit
- Pencil

Additional Hardware From Original Power-Pole Box:

- F** (4) 5/16" All-thread Bolts (C)
- G** (4) 5/16" Neo-bond Washers (H)
- H** (4) 5/16" Fender Washers (I)
- I** (4) 5/16" Tall Brass Lock Nuts (E)



NOTE: JL Marine Systems, Inc. recommends that adapter plates be installed by an authorized Power-Pole® dealer. To find a dealer near you go to www.power-pole.com

INSTALLATION

STEP 1 Choosing a deck mounting location:

- 1.1 Place the deck mount adapter plate (**A**) directly behind the pontoon. **Fig A-1**

NOTE: Be sure the slotted holes of deck mount adapter plate (**A**) are placed on the top or underneath boat deck with bottom of deckmount up close to pontoon.

- 1.2. Check the clearance for adequate space underneath the deck of mounting area to make sure that the bolts will not have any obstructions. Also, be sure that you will have plenty of room to tighten the nuts underneath deck.

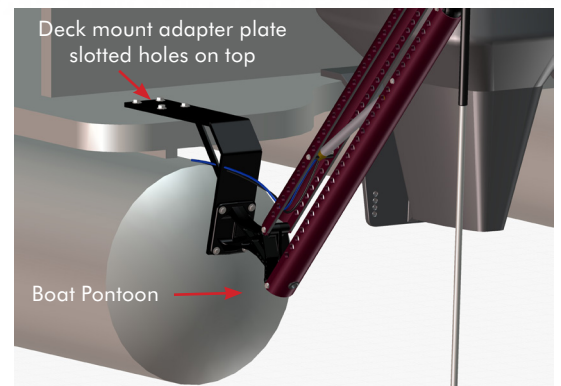


Figure A-1

CLEARANCE: Turn and tilt the outboard motor all the way in the direction of the Power-Pole shallow water anchor. Move the anchor and outboard motor through their entire range of motion to verify clearance.

Hardware missing? Need help? Contact our Technical Support Team at **1 + 813.689.9932 Option 2**



©2015 all rights reserved. Power-Pole Shallow Water Anchor U.S. Patent No. 6,041,730



SWIFT. SILENT. SECURE.

PONTOON DECK MOUNT ADAPTER PLATE INSTRUCTIONS

STEP 2 Mounting the Deck Mount Adapter Plate:

IMPORTANT: Carefully inspect and confirm your desired mounting location BEFORE mounting the deck mount adapter plate.

- 2.1 Once the mounting location has been selected, place the deck mount adapter plate into position and mark the mounting holes.
- 2.2 Carefully drill the marked holes with a 5/16" drill bit ensuring clearance underneath the deck mounting area.
- 2.3 Place neo-bond washer (**G**) onto bolts (**F**) with neo-bond side facing the thread end of bolts (**F**).
- 2.4 Insert bolts (**F**) through the adapter plate (**A**), deck of boat, fender washer (**H**) and thread lock nut (**I**) onto each bolt and tighten

Fig. A-2.

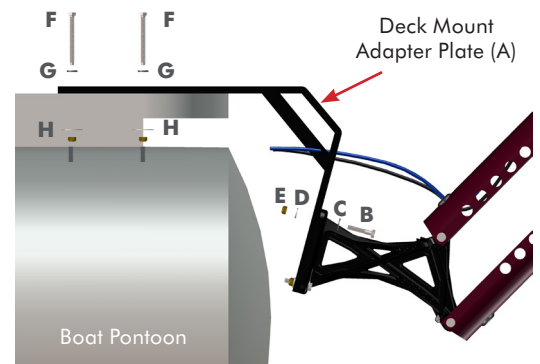


Figure A-2

Step 3 Mounting the Power-Pole® anchor to Deck Mount Adapter Plate:

- 3.1 Place neo-bond washer (**C**) onto bolts (**B**) with neo-bond side facing the thread end of bolts (**B**).

NOTE: The rubber backed neo-bond washers are to protect the powder coated marine finish on the stern bracket.

- 3.2 Insert bolts (**B**) through the Power-Pole stern bracket, adapter bracket (**A**), heavy thunder washer (**D**) and thread lock nuts (**E**) onto each bolt and tighten to 240 inch pounds / 20 foot pounds of torque

Fig A-2.

Product Quality Assurance

JL Marine Systems, Inc. assures that this product is made with the finest quality materials and is free from manufacturer defects. Please inspect this product immediately prior to installation. If defects are apparent, please contact JL Marine Systems, Inc. Warranty Department at 813-689-9932 immediately.

Please read all instructions carefully for proper product installation. JL Marine Systems, Inc. is not responsible for improper installation of product.

Hardware missing? Need help? Contact our Technical Support Team at **1 + 813.689.9932 Option 2**



©2015 all rights reserved. Power-Pole Shallow Water Anchor U.S. Patent No. 6,041,730