



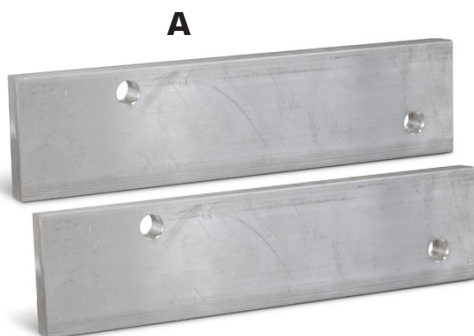
## **Spacer Kit 3/4"** **(For BMS Jack Plate)**

### **Installation Tools:**

- 3/4" Socket with Ratchet
- 3/4" Wrench

### **Hardware:**

- A** (2) Aluminum Spacers



### **Product Quality Assurance**

JL Marine Systems, Inc. assures that this product is made with the finest quality materials and is free from manufacturer defects.

Please inspect this product immediately prior to installation.

If defects are apparent, please contact JL Marine Systems, Inc. Warranty Department at 813-689-9932 immediately.

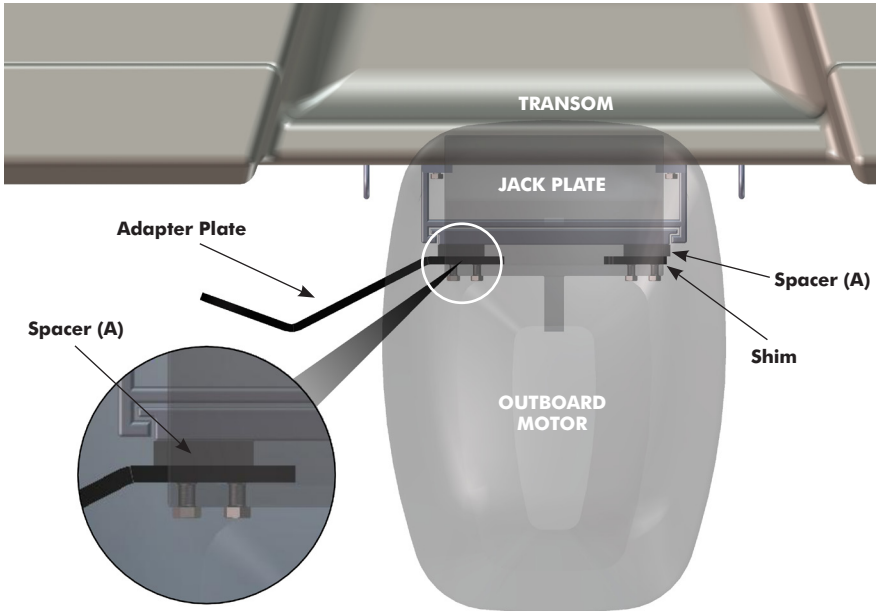
Please read all instructions carefully for proper product installation. JL Marine Systems, Inc. is not responsible for improper installation of product.

**Note:** JL Marine Systems, Inc. recommends that adapter plates be installed by an authorized Power-Pole® dealer. To find a dealer near you go to [power-pole.com](http://power-pole.com)

# Installation Instructions

- Step 1** Begin by following the Plate Kit Motor Adapter Plate mounting instructions, Steps 1 and 2.
- Step 2** Place adapter plate and  $\frac{3}{4}$ " spacer (A) between motor and jack plate with  $\frac{3}{4}$ " spacer (A) against jack plate. **Fig A-1**
- Step 3** Next, on the opposite side place (adapter plate shim) and  $\frac{3}{4}$ " spacer (A) between motor and jack plate with  $\frac{3}{4}$ " spacer (A) against jack plate and shim against  $\frac{3}{4}$ " spacer (A). **Fig A-1**
- Step 4** Finish by tightening all outboard motor bolts back to boat manufacturer's torque specifications.

**Example:** Port side adapter plate installation diagram



**Fig A-1**

**For Technical Support Call 813-689-9932 opt 2**