



Addendum - "Universal Bolt Set for all Single & Braced Side Mount Plate Kits"
 Effective 10/08/2015

SeaStar Jack Plate 6"

Important: Accessory Adapter Kit is required to mount a side mount adapter plate to a SeaStar 6" jack plate. To order your Accessory Adapter Kit (Starboard) or (Port) call JL Marine System's Inc. at 813-689-9932 Opt. 2.

Note: For SeaStar jack plate sizes 8", 10," & 12" follow step 5 & 6 of the T-H Marine Atlas Jack Plate 8", 10" & 12" mounting hardware illustration Fig.2 of the "Universal Bolt Set for all Single & Braced Side Mount Plate Kits".

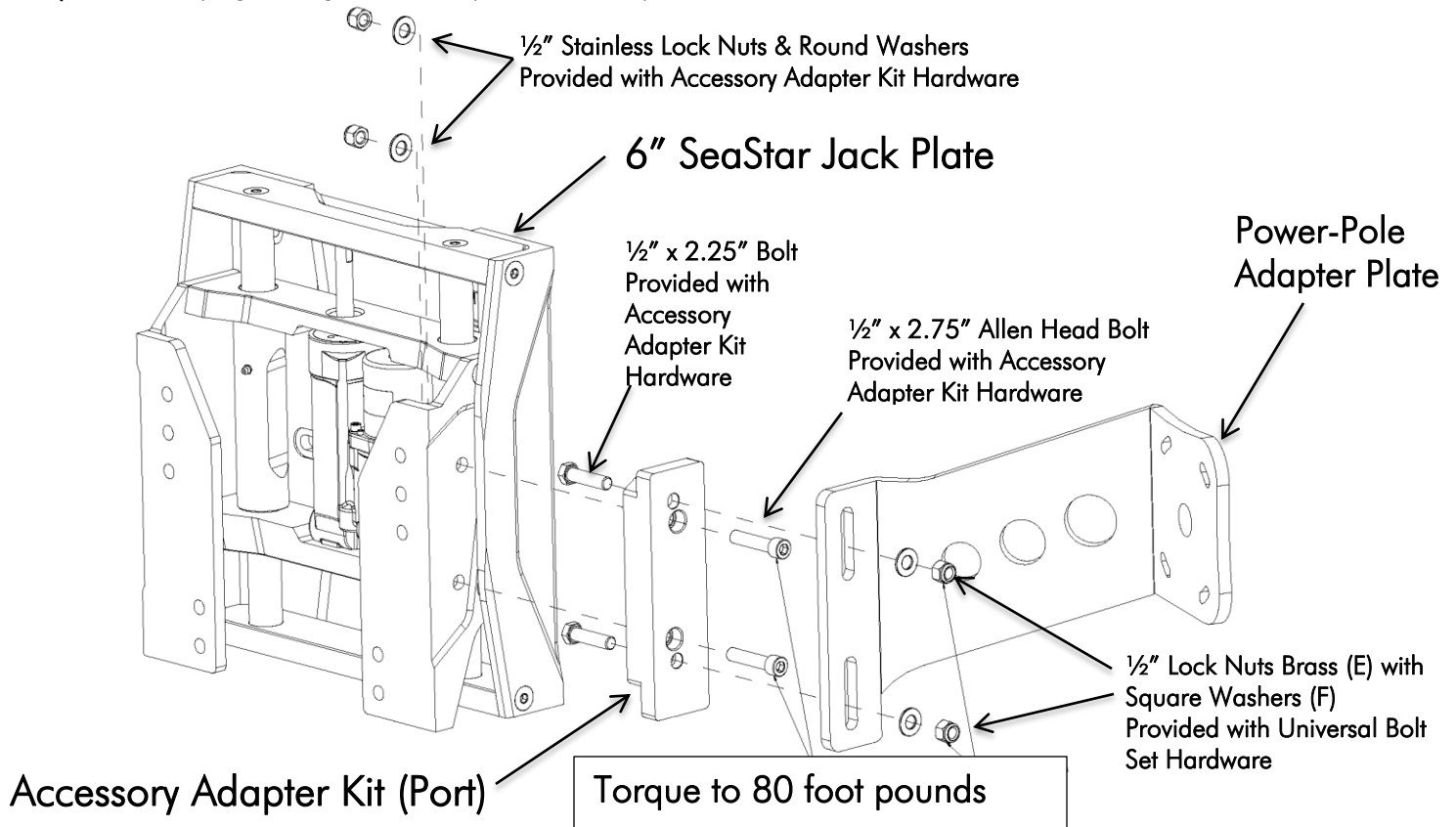


Installation Instructions:

Step 1 Install the bolts and hardware as illustrated.

Note: Refer to your Owner's manual for proper height of your Power-Pole anchor after it has been mounted. The side mount adapter plate has slotted holes for height adjustment.

Step 2 Finish by tightening to 80 foot pounds of torque.



Step 3 Mount the Power-Pole shallow water anchor to the adapter plate by following the mounting instructions in the hardware kit for adapter plates.

Non Jack Plate Mounting for Side Mounts

Notice: M to S adapter bracket is required to mount all side mount adapter plates without a jack plate. To order go to www.power-pole.com or an authorized dealer.

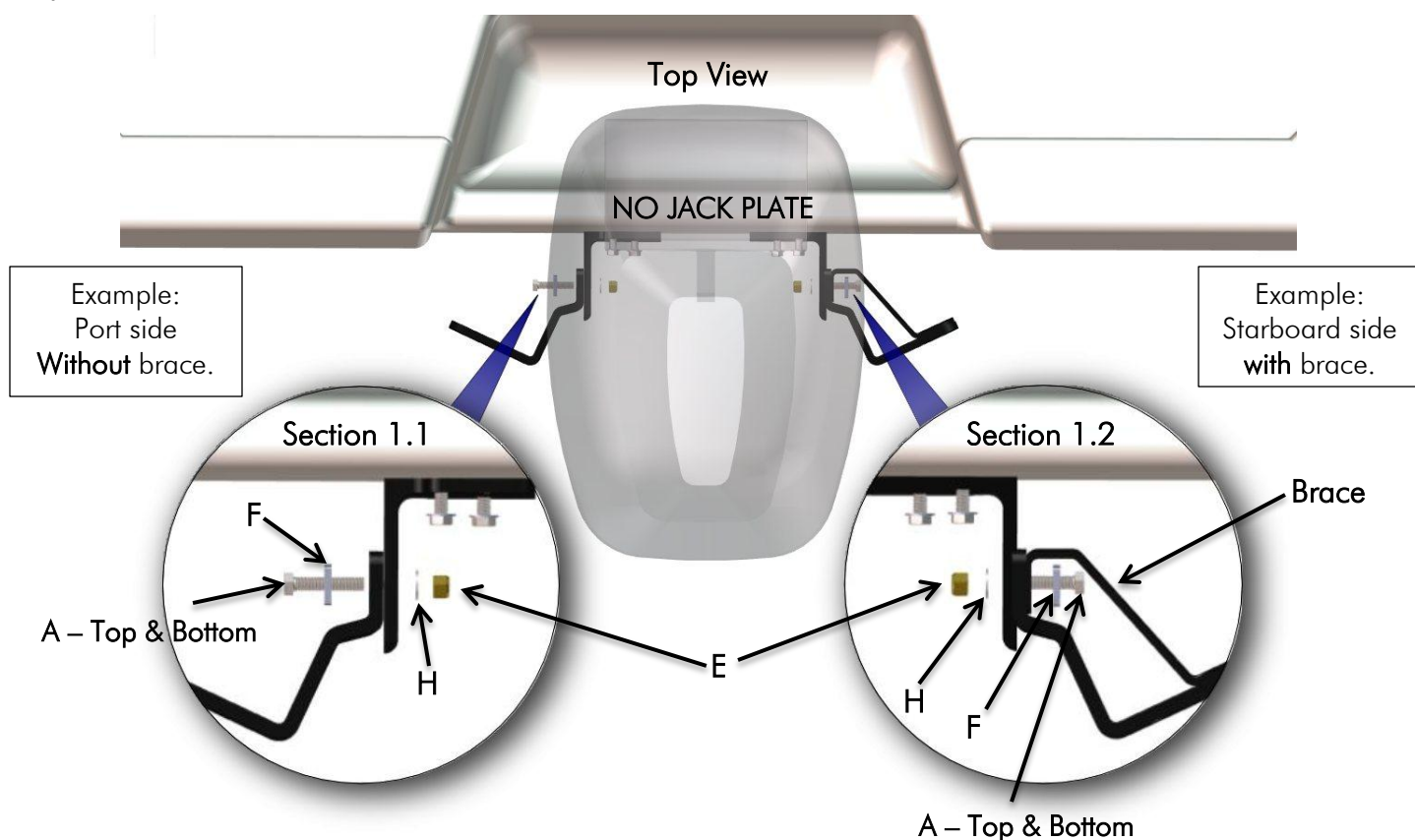
Installation Instructions:

Step 1 Follow the M to S adapter bracket mounting instructions.

Step 2 Install the bolts and hardware as illustrated in **Fig. 1** Section 1.1 for a non-braced side mount adapter plate or **Fig.1** Section 1.2 for a braced side mount adapter plate installation. Refer to your Owner's manual for proper height of your Power-Pole anchor after it has been mounted.

Note: The side mount adapter plate has slotted holes for height adjustment.

Step 3 Finish by tightening to 80 foot pounds of torque.



Step 4 Mount the Power-Pole shallow water anchor to the adapter plate by following the mounting instructions in the hardware kit for adapter plates.



9010 Palm River Road, Tampa, Florida 33619
Phone 813-689-9932 Fax 813-689-8883

www.power-pole.com

JLMarine SYSTEMS, INC. ©2014 all rights reserved. Power-Pole Shallow Water Anchor U.S. Patent No. 6,041,730

For Technical Support call 813.689.9932 option 2