



SWIFT. SILENT. SECURE.

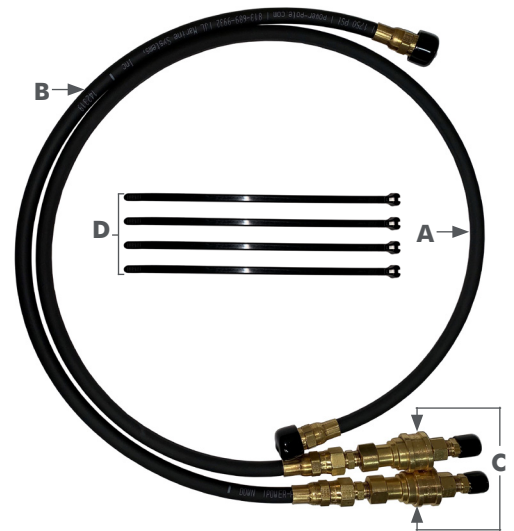
3/8" HYDRAULIC HOSE QUICK DISCONNECT FITTINGS INSTRUCTIONS

INSTALLATION TOOLS:

- Knife or Scissors
- 5/8" Wrench
- 1/2" Wrench
- 7/16" Wrench
- 1/2" Socket & Ratchet

INCLUDED HARDWARE:

- A.** (1) UP Adapter Hose (Labeled)
- B.** (1) DOWN Adapter Hose (Labeled)
- C.** (2) Quick Disconnect Fittings
- D.** (4) Zip-Ties



IMPORTANT: Pressure MUST be relieved from hydraulic system before proceeding.

PRESSURE RELIEF

STEP 1: Lower the Power-Pole Anchor® down so the Everflex™ spike is about a foot off the ground.

WARNING: Do not touch spike with bare hands.

STEP 2: Manually push the anchor into closed position, relieving pressure. Manually lower anchor back to the ground.

REMOVAL

STEP 1: Disconnect the **UP Hose** from the **Hydraulic Cylinder Fitting** by holding the **Cylinder Fitting Base** with a **1/2" wrench** and turning the **Hydraulic Hose Fitting** counter-clockwise with a **5/8" wrench**. **FIG 1**

NOTE: Lay **Hydraulic Hose Fitting** down on clean surface to avoid contamination.

STEP 2: Remove the **Bottom Cylinder** from the **Upper U-Channel** using a **1/2" socket & wrench**. **FIG 2 or 3**

NOTE: For Blade models, push bottom of cylinder up into **U-Channel** and slide it forward past the **Ram Spacers** to remove it.

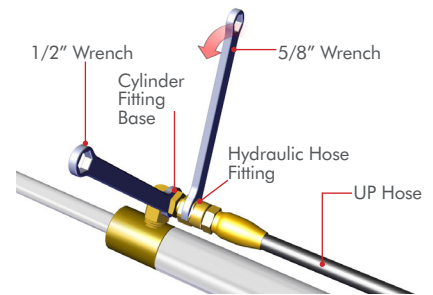


Figure 1

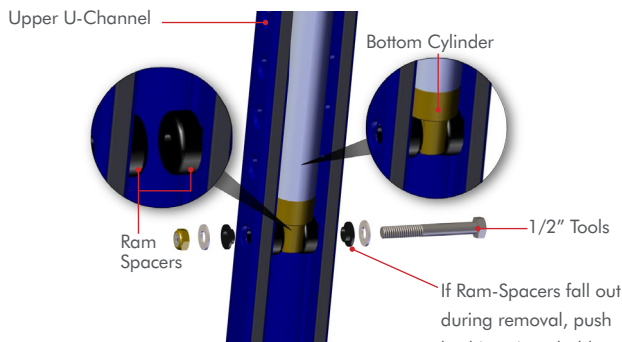


Figure 2
Blade Models

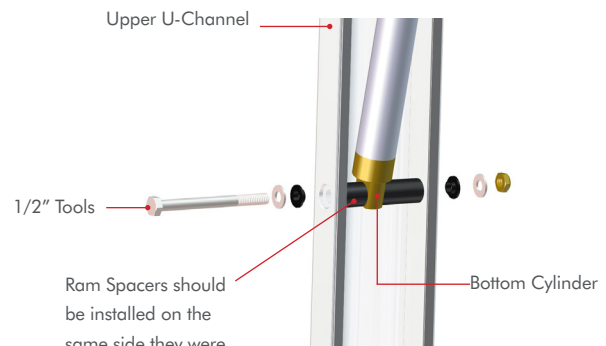


Figure 3
Pro/Spn Models

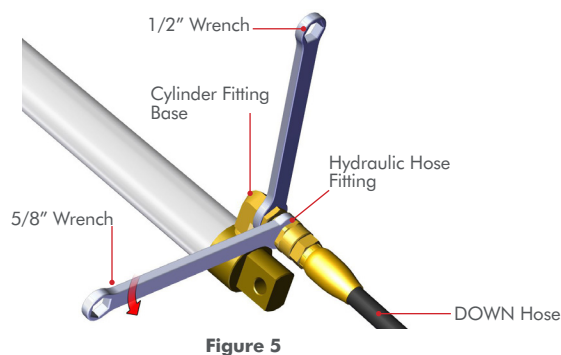
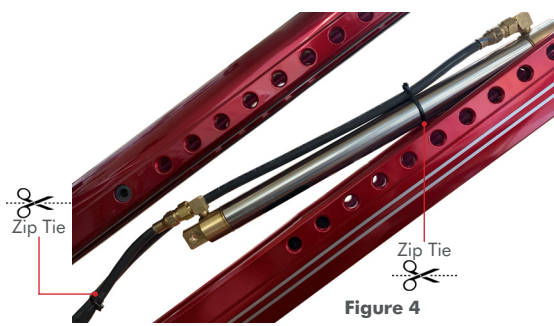
Need help? Contact our Customer Service Team at **1 + 813.689.9932 Option 2**

3/8" HYDRAULIC HOSE QUICK DISCONNECT FITTINGS INSTRUCTIONS

REMOVAL (Continued)

STEP 3: Cut the (2) Zip Ties with a knife or scissors. DO NOT cut through hoses. **FIG 4**

STEP 4: Disconnect the **DOWN Hose** from the **Hydraulic Cylinder Fitting** by holding the **Cylinder Fitting Base** with a **1/2" wrench** and turning the **Hydraulic Hose Fitting** counter-clockwise with a **5/8" wrench**. **FIG 5**



STEP 5: Pull the **UP** and **DOWN Hoses** back through the holes in either the **Stern Bracket** (Blade models) or **U-Channel** (Pro/Sportsman Models).

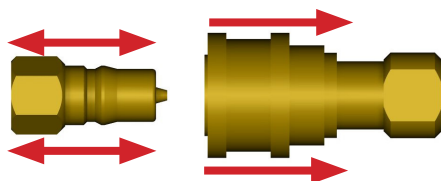
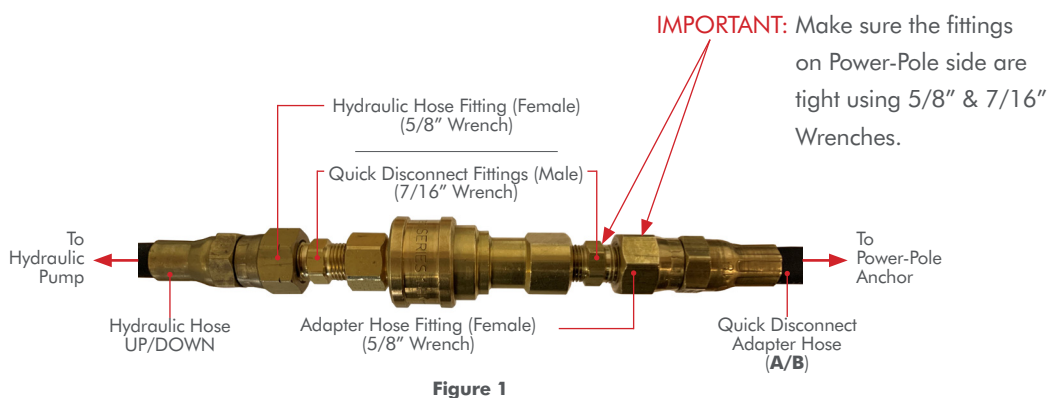
INSTALLATION

STEP 1: Remove the Black Dust Cap from the end of **Quick Disconnect Fitting (C)** on the **UP Adapter Hose (A)** and finger tighten it to the female **UP Hydraulic Hose Fitting**. **FIG 1**

STEP 2: Hold the **Quick Disconnect Fitting (C)** with a **7/16" Wrench** and turn the **Hydraulic Hose Fitting** clockwise a quarter turn with a **5/8" Wrench**. **FIG 1**

NOTE: Fittings can also be set up so that the larger side of the **Quick Disconnect Fitting** is on the Hydraulic Pump side.

STEP 3: Repeat **Steps 1 & 2** to attach the **DOWN Adapter Hose (B)** to **DOWN Hydraulic Hose**.



NOTE: Pull back on female Quick Disconnect fitting to remove or install male Quick Disconnect Fitting.

Need help? Contact our Customer Service Team at **1 + 813.689.9932 Option 2**

3/8" HYDRAULIC HOSE QUICK DISCONNECT FITTINGS INSTRUCTIONS

INSTALLATION (Continued)

STEP 4: Find your Power-Pole Anchor® model below. Remove the other (2) Black Dust Caps and route the female ends of the **UP (Long)** and **DOWN (Short) Adapter Hoses (A & B)** through either the **Stern Bracket** or **U-Channel** of Power-Pole Anchor. Pay attention to hose orientation. **FIG 2-4**

NOTE: For Solid Aluminum Stern Brackets, Install **DOWN** hose first and hold it at the top of the **Stern Bracket**. Then install **UP** hose below it. **FIG 3**

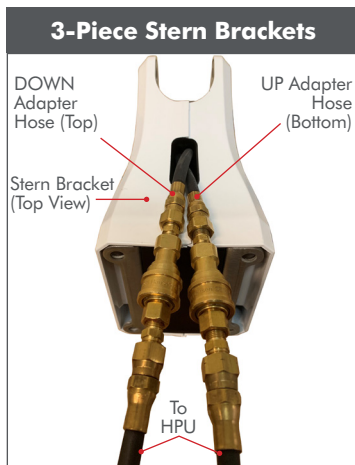


Figure 2

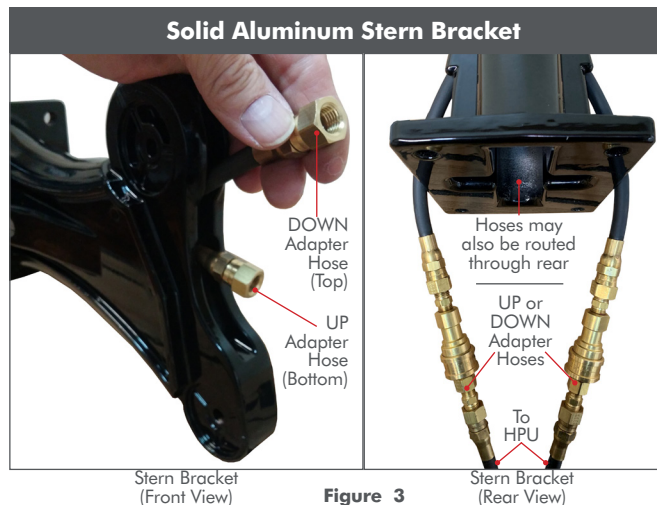


Figure 3

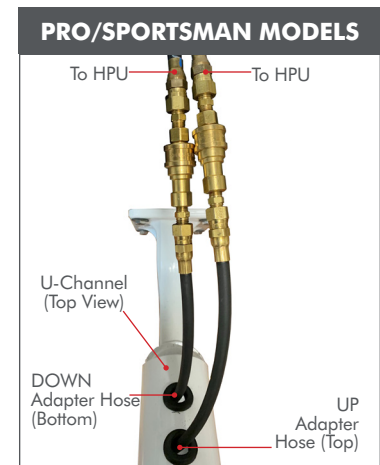


Figure 4

STEP 5: Finger tighten the female end of the **UP (Long) Quick Disconnect Adapter Hose (A)** to the top **Cylinder Fitting**. **FIG 5**

STEP 6: Hold the **Cylinder Fitting Base** with a **1/2" Wrench** and tighten the **Adapter Hose Fitting** clockwise a quarter turn with a **5/8" Wrench**. **FIG 5**

STEP 7: Repeat **Steps 5 & 6** for the **DOWN (Short) Quick Disconnect Adapter Hose (B)**. **FIG 6**

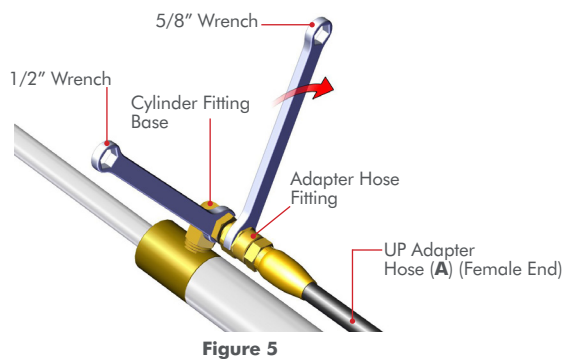


Figure 5

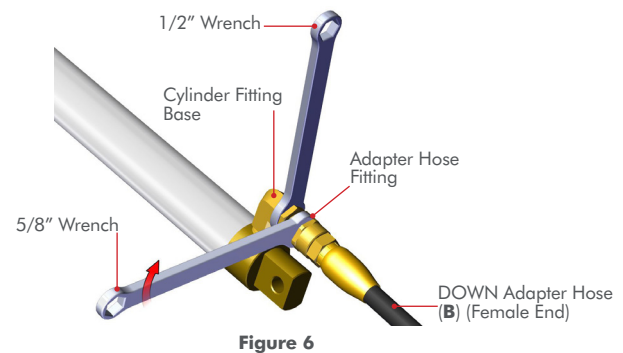


Figure 6

STEP 8: Zip-Tie **UP Adapter Hose (A)** 2/3 of the way up the **Cylinder**. **UP Adapter Hose (A)** will run beside the **Bottom Cylinder Fitting** and lay on top of the **Cylinder**. **FIG 7**

STEP 9: Zip-Tie the **UP & DOWN Hoses (A & B)** together halfway between the **Bottom Cylinder Fitting** and the point at which the hoses enter the Power-Pole. **FIG 7**

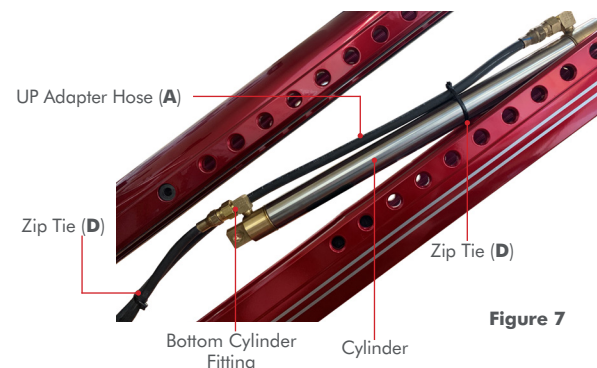


Figure 7

Need help? Contact our Customer Service Team at **1 + 813.689.9932 Option 2**



SWIFT. SILENT. SECURE.

3/8" HYDRAULIC HOSE QUICK DISCONNECT FITTINGS INSTRUCTIONS

INSTALLATION (Continued)

STEP 10: Re-attach the **Bottom Cylinder** to the **Upper U-Channel** following **Figure 2 or 3** of the **REMOVAL** section.
Make sure hardware is in correct order.

NOTE: For Blade Models, push the **Cylinder** up into the **U-Channel** and slide it backwards into place in between the **Ram Spacers**.

STEP 11: Use remaining (2) Zip-Ties (D) to secure **Quick Disconnect Fittings (C)** so they do not cause damage to Powder-Coating on Power-Pole.

STEP 12: Run Power-Pole Anchor® through several cycles (Up & Down) to purge any air that may exist in hoses.

NOTE: If necessary, full priming instructions may be found in the Installation & Owner's Guide.

USING QUICK DISCONNECT FITTINGS:

STEP 1: Follow **Pressure Relief** instructions from pg. 1

STEP 2: Tie Power Pole Anchor® together or store in Travel Cover.

STEP 3: Disconnect hoses by pulling back on Female Quick Disconnect Fitting and pulling male Quick Disconnect Fitting out. **FIG 1**

STEP 4: Disconnect the inline fuse from the **RED (+)** wire from the HPU to ensure pump does not run while Power-Pole is disconnected.

STEP 5: Cover both ends of Quick Disconnect Fittings to ensure no contaminants enter hydraulic system.

STEP 6: After re-attaching Quick Disconnect Fittings, run Power-Pole® through several cycles (Up & Down) to purge any air that may exist in hoses.

NOTE: If necessary, full priming instructions may be found in the Installation & Owner's Guide.

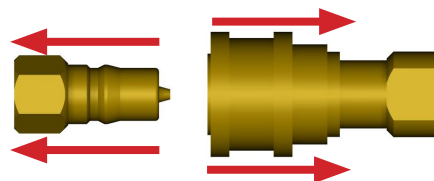


Figure 1

Need help? Contact our Customer Service Team at **1 + 813.689.9932 Option 2**



9010 Palm River Road, Tampa, Florida 33619
phone 813.689.9932 • fax 813.689.8883 • power-pole.com
©2019 all rights reserved. Power-Pole Shallow Water Anchor U.S. Patent No. 6,041,730