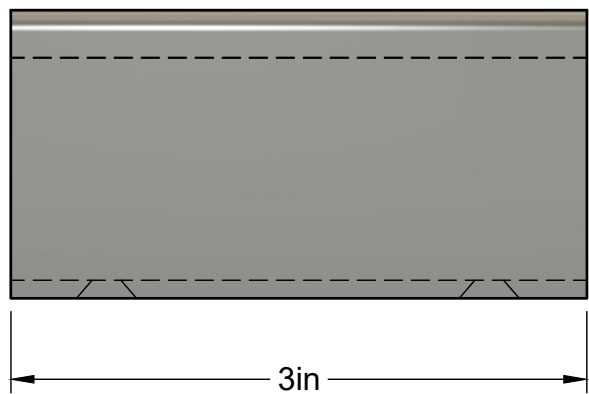


Aluminum Tab Pull

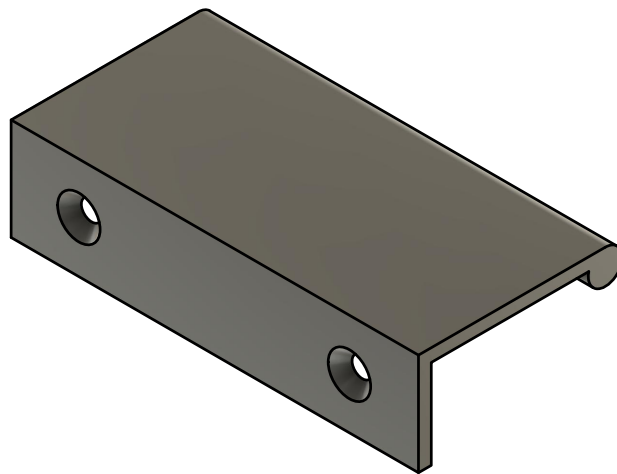
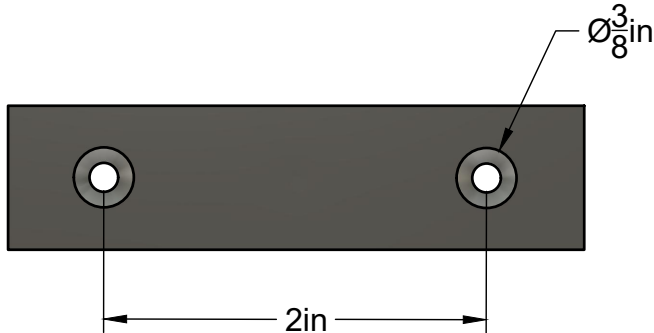
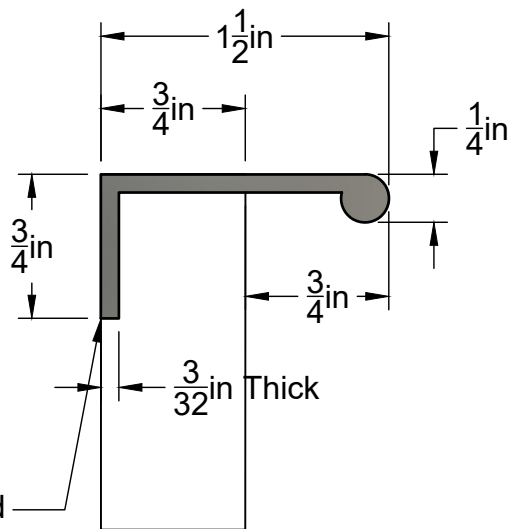
Matte Black	1-1/2"	TB02-01-MB-AL
Satin Nickel	1-1/2"	TB02-01-BST-AL
Polished Chrome	1-1/2"	TB02-01-CR-AL
Champagne Brass	1-1/2"	TB02-01-CBR-AL
Black Chrome	1-1/2"	TB02-01-BCR-AL
Antique Gold	1-1/2"	TB02-01-AG-AL
Antique Bronze	1-1/2"	TB02-01-AB-AL

CONCEPT
HARDWARE

www.ConceptHardware.com
info@concept-hardware.com
213-238-2581



Pulls are intended to be inset into a 3/4" cabinet door to prevent rubbing

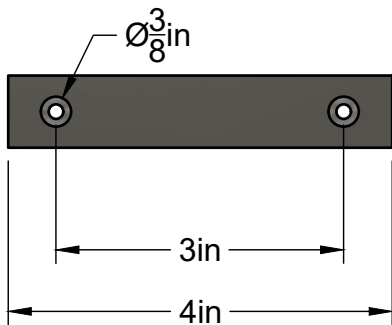
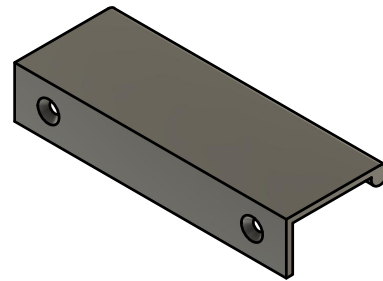
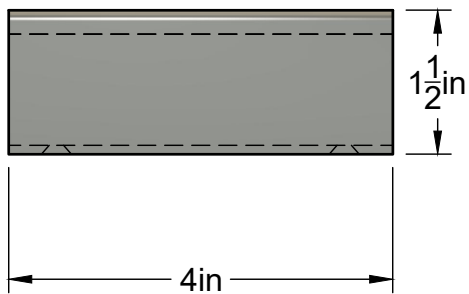
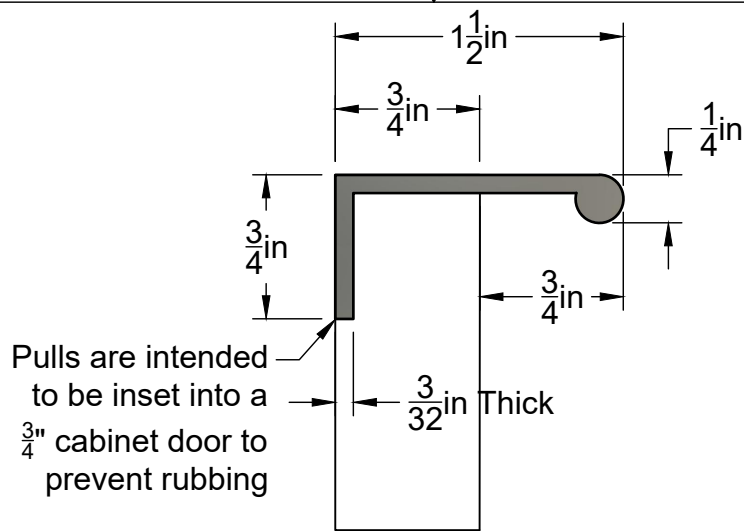


Aluminum Tab Pull

Matte Black	3"	TB02-03-MB-AL
Satin Nickel	3"	TB02-03-BST-AL
Polished Chrome	3"	TB02-03-CR-AL
Champagne Brass	3"	TB02-03-CBR-AL
Black Chrome	3"	TB02-03-BCR-AL
Antique Gold	3"	TB02-03-AG-AL
Antique Bronze	3"	TB02-03-AB-AL

CONCEPT
HARDWARE

www.ConceptHardware.com
info@concept-hardware.com
213-238-2581

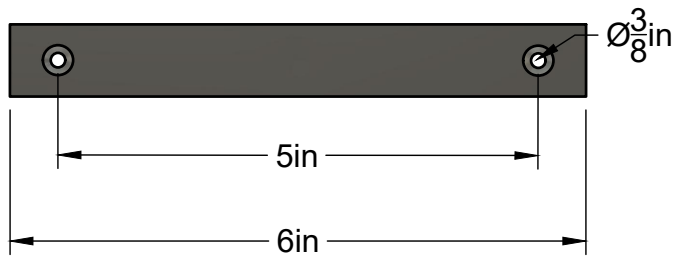
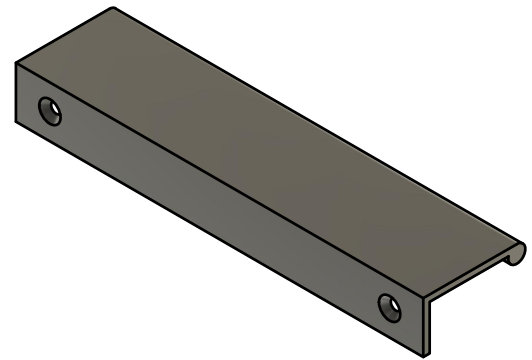
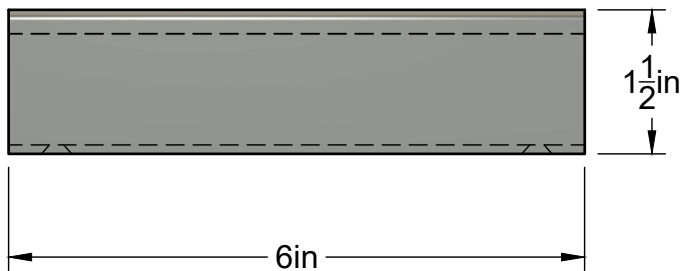
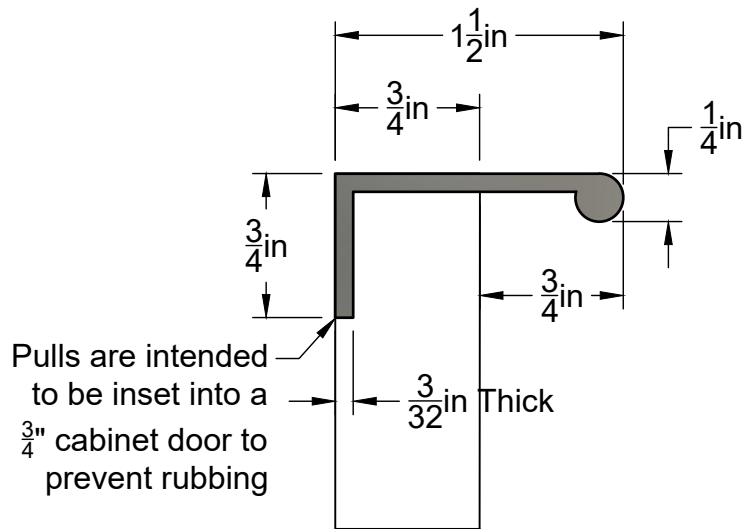


Aluminum Tab Pull

Matte Black	4"	TB02-04-MB-AL
Satin Nickel	4"	TB02-04-BST-AL
Polished Chrome	4"	TB02-04-CR-AL
Champagne Brass	4"	TB02-04-CBR-AL
Antique Bronze	4"	TB02-04-AB-AL
Black Chrome	4"	TB02-04-BCR-AL
Antique Gold	4"	TB02-04-AG-AL

CONCEPT
HARDWARE

www.ConceptHardware.com
info@concept-hardware.com
213-238-2581

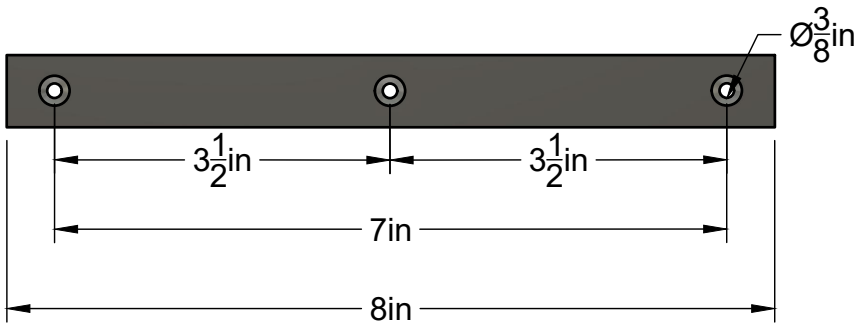
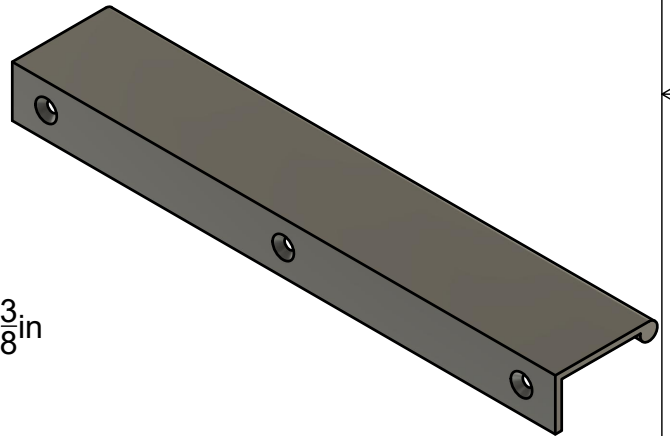
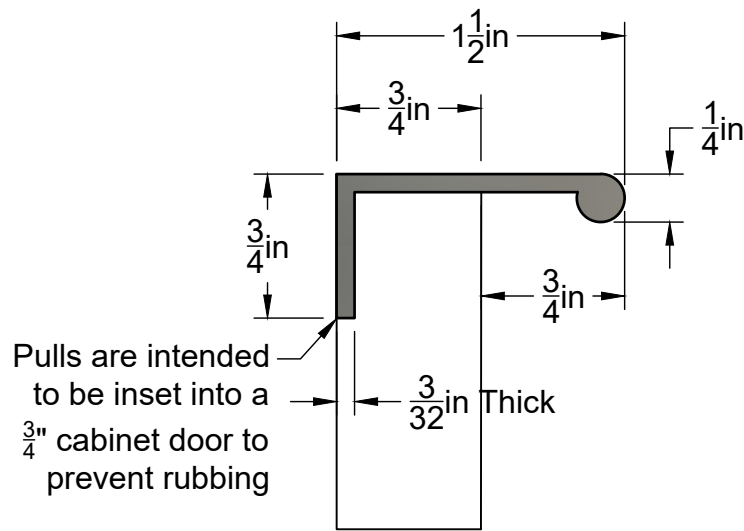


Aluminum Tab Pull

Matte Black	6"	TB02-06-MB-AL
Satin Nickel	6"	TB02-06-BST-AL
Polished Chrome	6"	TB02-06-CR-AL
Champagne Brass	6"	TB02-06-CBR-AL
Antique Bronze	6"	TB02-06-AB-AL
Black Chrome	6"	TB02-06-BCR-AL
Antique Gold	6"	TB02-06-AG-AL

CONCEPT
HARDWARE

www.ConceptHardware.com
info@concept-hardware.com
213-238-2581

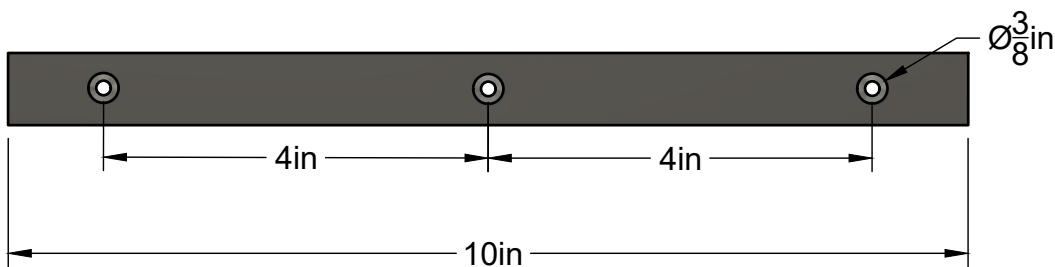
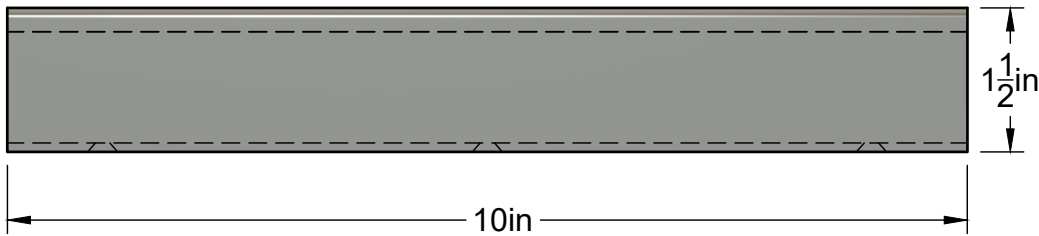
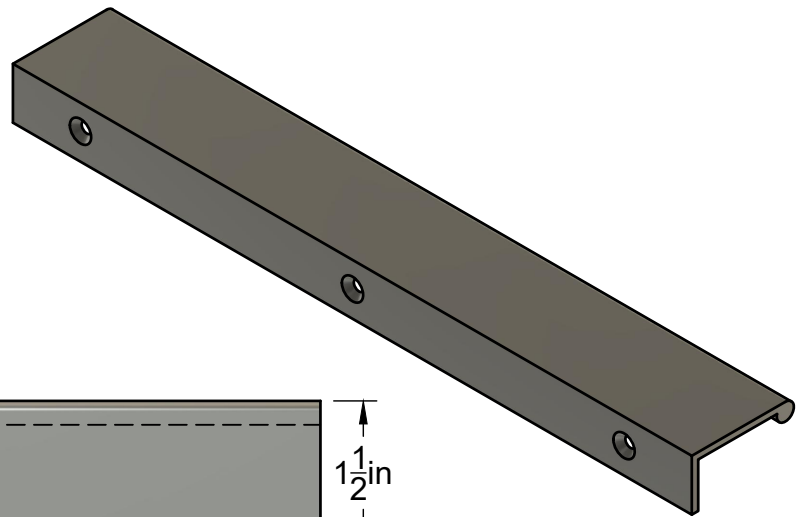
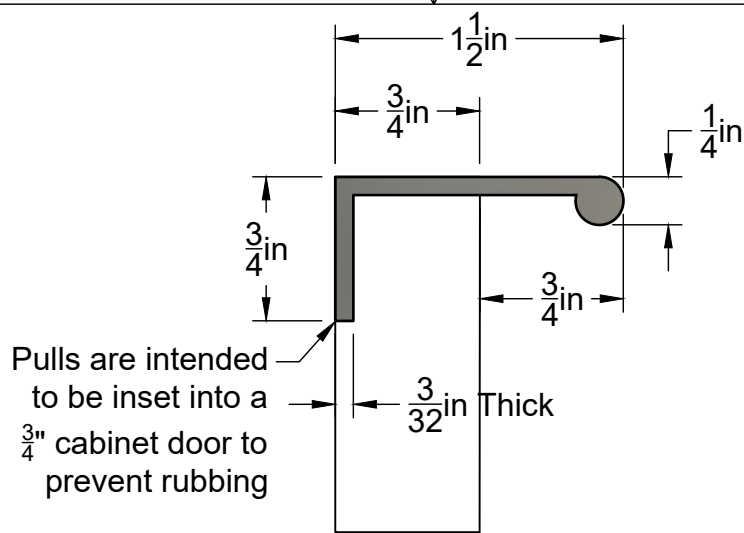


Aluminum Tab Pull

Matte Black	8"	TB02-08-MB-AL
Satin Nickel	8"	TB02-08-BST-AL
Polished Chrome	8"	TB02-08-CR-AL
Champagne Brass	8"	TB02-08-CBR-AL
Antique Bronze	8"	TB02-08-AB-AL
Black Chrome	8"	TB02-08-BCR-AL
Antique Gold	8"	TB02-08-AG-AL

CONCEPT
HARDWARE

www.ConceptHardware.com
info@concept-hardware.com
213-238-2581

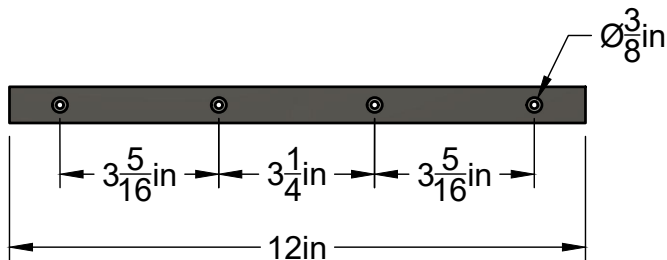
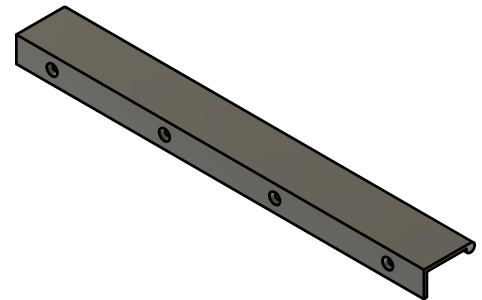
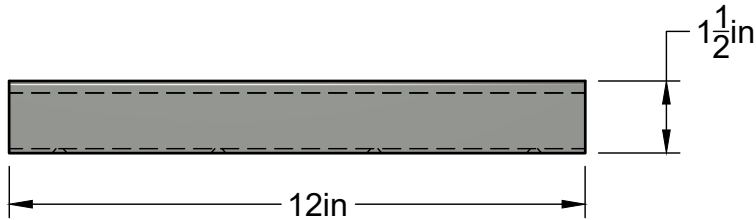
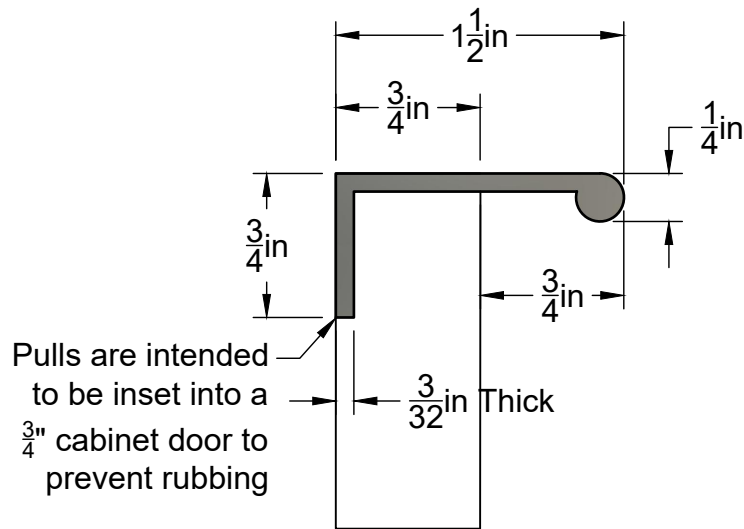


Aluminum Tab Pull

Matte Black	10"	TB02-10-MB-AL
Satin Nickel	10"	TB02-10-BST-AL
Polished Chrome	10"	TB02-10-CR-AL
Champagne Brass	10"	TB02-10-CBR-AL
Antique Bronze	10"	TB02-10-AB-AL
Black Chrome	10"	TB02-10-BCR-AL
Antique Gold	10"	TB02-10-AG-AL

CONCEPT
HARDWARE

www.ConceptHardware.com
info@concept-hardware.com
213-238-2581



Aluminum Tab Pull

Matte Black	12"	TB02-12-MB-AL
Satin Nickel	12"	TB02-12-BST-AL
Polished Chrome	12"	TB02-12-CR-AL
Champagne Brass	12"	TB02-12-CBR-AL
Antique Bronze	12"	TB02-12-AB-AL
Black Chrome	12"	TB02-12-BCR-AL
Antique Gold	12"	TB02-12-AG-AL

CONCEPT
HARDWARE

www.ConceptHardware.com
info@concept-hardware.com
213-238-2581