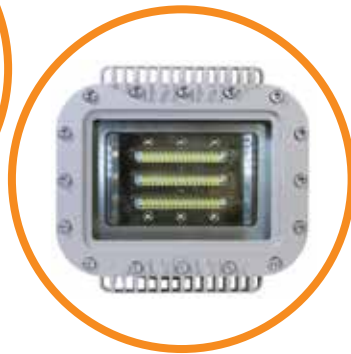




On when
it counts.



Patent Pending

Certifications & Ratings

- UL 844
- Class I, Div. 1 Groups B, C, D
- Class II, Div. 2 Groups E, F, G
- CSA C22.2 No. 137
- Ex II 2GD Ex d IIC T4 Gb (Ta = -40°C to +65°C)
- Ex II 2GD Ex d IIC T5 Gb (Ta = -40°C to +42°C)
- Ex t IIIIC T135°C Db IP 6X (Ta = -40°C to +65°C)
- Ex t IIIIC T100°C Db IP 6X (Ta = -40°C to +42°C)
- Certificate numbers: IECEx SIR 11.0156
SIRA 11ATEX1357
- ATEX Zones 1, 21
- ABS Design Assessed: 13-HS1043210C-PDA
- IP66/67
- RoHS compliant

Features & Benefits

- L70 rated for >100,000 hours @ 25°C ambient
- 5 year full performance warranty
- Instant on/off operation
- Universal input (110-277V AC), 50/60Hz
- Superior colour rendering index compared to HPS, LPS, MV
- Mercury free
- Resistant to shock and vibration
- Temperature compensation technology for longer life
- Factory sealed

Mechanical Information:

Fixture weight:	6.58kg (14.5 lb)
Shipping weight:	7.48kg (16.5lb)
Fixing:	Supplied with Stirrup Mounting Bracket

Electrical Specifications:

Operating Voltage:	110-277V AC, 50/60 Hz
Total system power consumption:	See table
Operating Temp:	-40°C to +65°C (-40F° to 149F°)
Harmonics:	IEC 61000-3-2
Transient protection:	EN 61000-4-5 1kV line to line, 2 kV line to ground
THD:	<20%
Power Factor:	> 0.9

Construction:

Housing:	Copper free aluminum
Finish:	Superior dual coat finish - Sealed polyester topcoat - Chemical-resistant epoxy prime
Lens:	Toughened glass

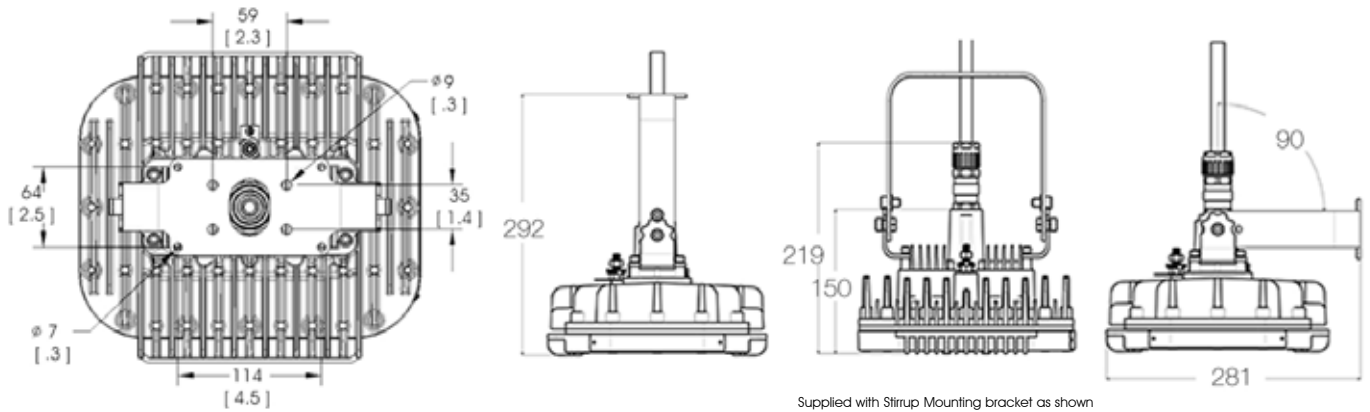
Photometric Information:

CRI:	75
CCT:	5000K (cool white) 4000K (neutral white)
Optics:	180° Distribution 360° Distribution
IES Files:	available on www.dialight.com

All values typical unless otherwise stated (tolerance +/- 10%)



Area Light Dimensions



Dimensions are in mm [inches]

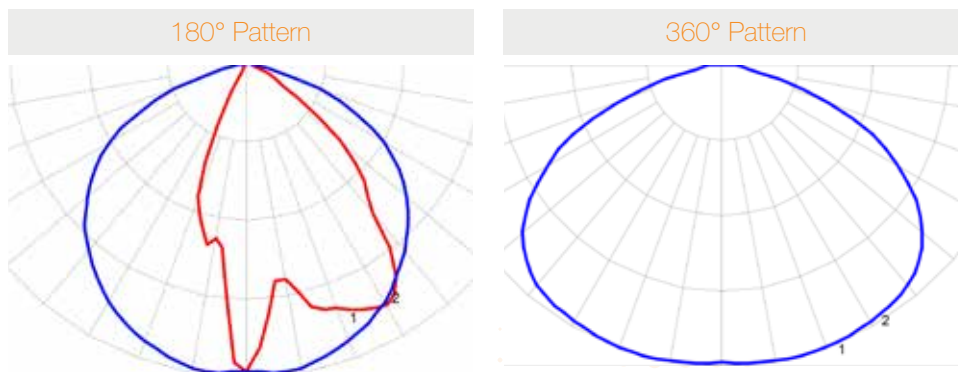
Part Number ²	Fixture Lumens	Wattage	LPW	Voltage	CCT (Color Temperature)	IP Rating	Lens	Optical Distribution ¹
HZE9C2N	6,000	58	103	110-277V AC	5000K (cool white)	IP66	Tempered glass	360
HZE8C2N	5,600	58	97	110-277V AC	5000K (cool white)	IP66	Tempered glass	180
HZE5C2N	5,100	47	109	110-277V AC	5000K (cool white)	IP66	Tempered glass	360
HZE4C2N	4,600	47	98	110-277V AC	5000K (cool white)	IP66	Tempered glass	180
HZE3C2N	4,000	38	105	110-277V AC	5000K (cool white)	IP66	Tempered glass	360
HZE2C2N	3,600	38	95	110-277V AC	5000K (cool white)	IP66	Tempered glass	180
HZE1C2N	2,200	22	100	110-277V AC	5000K (cool white)	IP66	Tempered glass	360
HZE0C2N	2,200	22	100	110-277V AC	5000K (cool white)	IP66	Tempered glass	180

All values typical unless otherwise stated (tolerance +/- 10%)

¹180° optical pattern models are optimized for a 45° mounting angle

²Part numbers listed in the above table are cool white. For neutral white models replace the 5th character with N Ex: HZE2C2N becomes HZE2N2N

Light Distribution Pattern



Dialight reserves the right to make changes at any time in order to supply the best product possible. The most current version of this document will always be available at: www.dialight.com/Assets/Brochures_And_Catalogs/Illumination/MDEXSSALULEUX001.pdf

Warranty Statement: EXCEPT FOR THE WARRANTY EXPRESSLY PROVIDED FOR [HEREIN/ABOVE/BELOW], DIALIGHT DISCLAIMS ANY AND ALL OTHER WARRANTIES, EXPRESS OR IMPLIED, INCLUDING, WITHOUT LIMITATION, ANY WARRANTIES OF MERCHANTABILITY, FITNESS FOR A PARTICULAR PURPOSE, TITLE, AND NON-INFRINGEMENT.