

Dialight



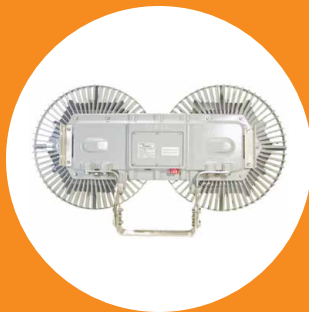
SafeSite® LED Area Light - UL844

for Indoor and Outdoor Industrial Applications



On when it counts.

Products and solutions that protect your business





Features & Benefits

- L70 rated for >100,000 hours @ 25°C
- 5 year full performance warranty
- Instant on/off operation
- Superior color rendition index compared to HPS, LPS, MV
- Mercury free
- Resistant to shock and vibration
- Temperature compensation technology for longer life
- Factory sealed
- Low T-rating compared to traditional fixtures

Application

The SafeSite® LED area light represents the future of energy efficient facility illumination for hazardous locations worldwide. The LED Area Light fixture consumes at least 50% less energy compared to traditional HID light sources, while reducing maintenance and carbon emissions. This light incorporates both cutting edge LED technology along with proprietary optics to achieve area lighting comparable with other traditional light sources.

Hazardous Locations Ratings

Fixed and portable fixtures for installation and use in hazardous (classified) locations Class I, Divisions 1 and 2, Groups A, B, C, and D; Class II, Division 1, Groups E, F, and G; Class II, Division 2, Groups F and G; and Class III, Divisions 1 and 2, in accordance with the National Electrical Code, NFPA 70

Classes

The classes define the general nature of hazardous material in the surrounding atmosphere.

Class	Hazardous Material in Surrounding Atmosphere
Class I	Hazardous because flammable gases or vapors are present in the air in quantities sufficient to produce explosive or ignitable mixtures.
Class II	Hazardous because combustible or conductive dusts are present.
Class III	Hazardous because ignitable fibers or flying's are present, but not likely to be in suspension in sufficient quantities to produce ignitable mixtures. Typical wood chips, cotton, flax and nylon. Group classifications are not applied to this class.

Divisions

The division defines the probability of hazardous material being present in an ignitable concentration in the surrounding atmosphere.

Division	Presence of Hazardous Material
Division 1	The substance referred to by class is present during normal conditions.
Division 2	The substance referred to by class is present only in abnormal conditions, such as a container failure or system breakdown.

Groups

The group defines the hazardous material in the surrounding atmosphere.

Group	Hazardous Material in Surrounding Atmosphere
Group A	Acetylene
Group B	Hydrogen, fuel and combustible process gases containing more than 30% hydrogen by volume or gases of equivalent hazard such as butadiene, ethylene, oxide, propylene oxide and acrolein.
Group C	Carbon monoxide, ether, hydrogen sulfide, morphine, cyclopropane, ethyl and ethylene or gases of equivalent hazard.
Group D	Gasoline, acetone, ammonia, benzene, butane, cyclopropane, ethanol, hexane, methanol, methane, vinyl chloride, natural gas, naphtha, propane or gases of equivalent hazard.
Group E	Combustible metal dusts, including aluminum, magnesium and their commercial alloys or other combustible dusts whose particle size, abrasiveness and conductivity present similar hazards in connection with electrical equipment.
Group F	Carbonaceous dusts, carbon black, coal black, charcoal, coal or coke dusts that have more than 8% total entrapped volatiles or dusts that have been sensitized by other material so they present an explosion hazard.
Group G	Flour dust, grain dust, flour, starch, sugar, wood, plastic and chemicals.

SafeSite® LED Area Light - UL844

Innovative Mounting Options



Unique hinge-style design

Featuring a unique hinge-style design, the Area Light brackets simplify the installation of fixtures in wall and stanchion mounting applications.

Ease of Installation

The hinge-style brackets come pre-installed on each fixture to eliminate time consuming bracket assembly in the field. Installers simply mount the bracket to the wall or stanchion, and the fixture portion hangs in place on the bracket, leaving the installer's hands free to make electrical connections.

Specifications

Dialight's wall mounted Area Light brackets feature a die-cast copper free aluminum housing with 3/4" NPT threaded entries. The 45° stanchion bracket fits 2" NPT and comes with a reducer to accumulated 1 1/2" NPT as well. The unique design also encloses all wiring connections inside the mounting bracket for maximum protection from the environment. With the easy access to the wiring compartment, installing your fixture becomes incredibly quick and efficient.



Retrofit to Existing HID Fixtures (not for CID1 applications)



GE Lighting Solutions – Filtr-Gard™
HZXTHGE



Appleton® Mercmaster III
HZXTHAP



Holophane® Petrolux II, III
HZXTHP3



Appleton® Mercmaster II
HZXTHM2



Eaton's Crouse-Hinds – Champ®
HZXTHCH



Thomas & Betts Hazlux®
HZXHTB

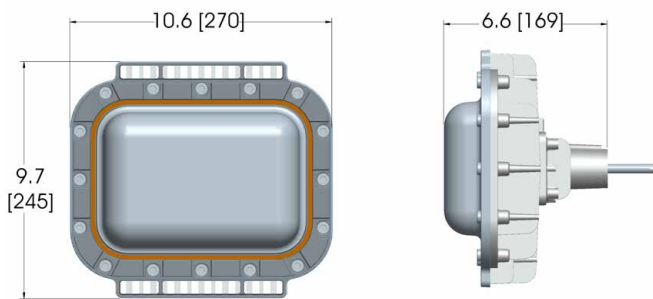


Killark® Certilite® & Certilite® V
HZXTHKL



SafeSite® LED Area Light - UL 844

Standard Models- Class I, Div 2 / Class II, Div 1 / Class II, Div 2 / Class III



Dimensions in inches [mm]

Temperature Ratings

Ambient Temperature Range T4A	Ambient Temperature Range T5
-40°F to +149°F (-40°C to +65°C)	-40°F to +113°F (-40°C to +45°C)

Certifications & Ratings

- Class I, Div 2, Groups A, B, C, D
- Class II, Div 1, Groups E, F, G
- Class II, Div 2, Groups F and G
- Class III
- UL 844*
- UL 1598/A*
- CSA 22.2 No. 137-M1981*
- ABS Design Assessed: # 12-HS942957-PDA
- IP66 / 67
- NEMA 4X

*ETL listed

Mechanical Information:

- Fixture weight:** 10 lbs (4.5 kg) - Polycarbonate lens
12 lbs (5.5 kg) - Glass lens
- Shipping weight:** 12 lbs (6.5 kg) - Polycarbonate lens
13 lbs (7.5 kg) - Glass lens
- Mounting:** 1 Threaded 3/4" NPT rear
(Units with retrofit adapters available)
- Cabling:** 10' (3.5m) SOOW Power Cord
(Except when ordered with mounting brackets)

Electrical Specifications:

- Operating voltage:** 100 - 277V AC, 50/60 Hz
347 - 480V AC, 50/60 Hz
24 - 48V DC
- Total system power consumption:** See table
- Operating temperature:** -40°F to +149°F (-40°C to +65°C)
- Harmonics:** IEC 61000-3-2
- Noise requirement /EMC:** FCC Title 47, Subpart B, Section 15, class A device. RF Immunity; 10V/m, 80MHz-1GHz
- Transient protection:** 100 - 277V AC 50/60Hz: 1 kV line to line, 2 kV line to ground
347 - 480V AC 50/60Hz: 6 kV line to line, 6 kV line to ground
- THD:** <20%
- Power factor:** > 0.9

Construction:

- Housing:** Copper free aluminum
- Finish:** Superior dual coat finish
- Sealed polyester topcoat
- Chemical-resistant epoxy primer
- Lens :** HZD - polycarbonate (or glass)
HZF - anti-static coated polycarbonate (or glass)

Photometric Information:

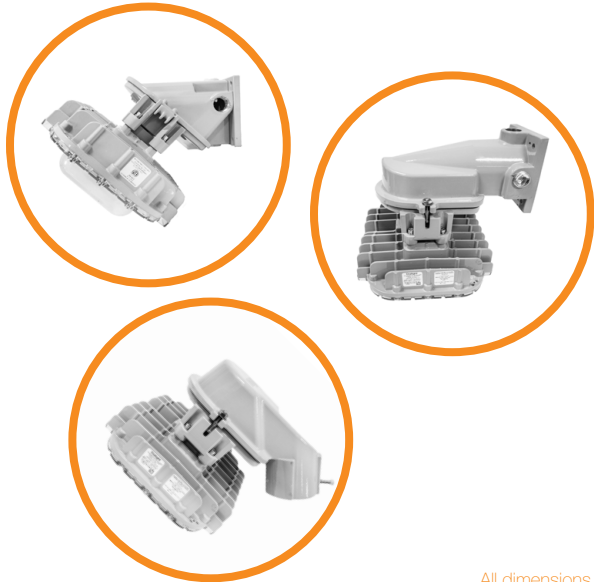
- CRI:** 75
- CCT:** 5000K (cool white)
4000K (neutral white)
- Optics:** 180° forward throw
360° circular pattern
Wide pattern

All values typical unless otherwise stated (tolerance +/- 10%)

¹For information on chemical compatibility, please follow this link to reference Dialight's Chemical Compatibility Guide: www.dialight.com/pubs/MDTFHCHEMRFLX001.PDF

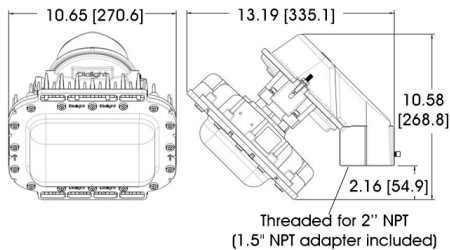
SafeSite® LED Area Light - UL 844

Mounting Models - Class I, Div 2 / Class II, Div 1 / Class II, Div 2 / Class III

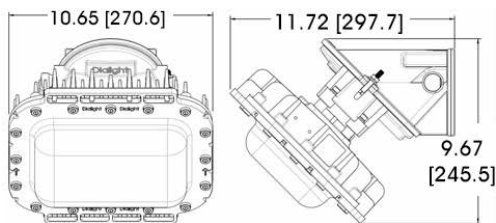


All dimensions in inches [mm]

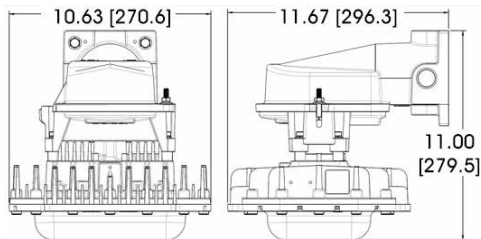
45° Stanchion Mount Models



45° Wall Mount Models



Wall Mount Models



Temperature Ratings

Ambient Temperature Range T4A	Ambient Temperature Range T5
-40°F to +149°F (-40°C to +65°C)	-40°F to +113°F (-40°C to +45°C)

Certifications & Ratings

- Class I, Div 2, Groups A, B, C, D
- Class II, Div 1, Groups E, F, G
- Class II, Div 2, Groups F and G
- Class III
- UL 844*
- UL 1598/A*
- CSA 22.2 No. 137-M1981*
- ABS Design Assessed: # 12-HS942957-PDA
- IP66 / 67
- NEMA 4X

*ETL listed

Mechanical Information:

Fixture weight:

- Wall mount models: 15 lbs (6.8 kg) - Polycarbonate lens
18 lbs (8.2 kg) - Glass lens
- 45° Wall mount models: 14 lbs (6.4 kg) - Polycarbonate lens
17 lbs (7.8 kg) - Glass lens
- 45° Stanchion mount models: 15 lbs (6.7 kg) - Polycarbonate lens
18 lbs (8.1 kg) - Glass lens

Shipping weight:

- Wall mount models: 17 lbs (8.8 kg) - Polycarbonate lens
20 lbs (10.2 kg) - Glass lens
- 45° Wall mount models: 16 lbs (8.4 kg) - Polycarbonate lens
19 lbs (9.8 kg) - Glass lens
- 45° Stanchion mount models: 17 lbs (8.7 kg) - Polycarbonate lens
20 lbs (10.1 kg) - Glass lens

Mounting:

- (1) Threaded 3/4" NPT rear

Electrical Specifications:

Operating voltage:

- 100 - 277V AC, 50/60 Hz
- 347 - 480V AC, 50/60 Hz
- 24 - 48V DC

Total system power consumption:

See table

Operating temperature:

-40°F to +149°F (-40°C to +65°C)

Harmonics:

IEC 61000-3-2

Noise requirement /EMC:

FCC Title 47, Subpart B, Section 15, class A device. RF Immunity; 10V/m, 80MHz-1GHz

Transient protection:

- 100 - 277V AC 50/60Hz: 1 kV line to line, 2 kV line to ground
- 347 - 480V AC 50/60Hz: 6 kV line to line, 6 kV line to ground

THD:

<20%

Power factor:

> 0.9

Construction:

Housing:

Copper free aluminum

Finish:

- Superior dual coat finish
- Sealed polyester topcoat
- Chemical-resistant epoxy primer

Lens:

- HZD - polycarbonate (or glass)
- HZF - anti-static coated polycarbonate (or glass)

Photometric Information:

CRI:

75

CCT:

- 5000K (cool white)
- 4000K (neutral white)

Optics:

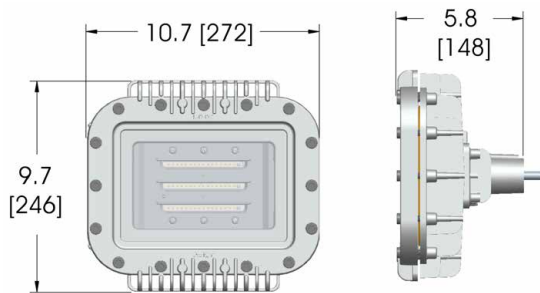
- 180° forward throw
- 360° circular pattern
- Wide pattern

All values typical unless otherwise stated (tolerance +/- 10%)

For information on chemical compatibility, please follow this link to reference Dialight's Chemical Compatibility Guide: www.dialight.com/pubs/MDTFCHEMFLX001.PDF

SafeSite® LED Area Light - UL 844

Standard Models - Class I Div. 1 / Class II Div. 1



Dimensions in inches [mm]

Temperature Ratings

Ambient Temperature Range T4A	Ambient Temperature Range T5
-40°F to +149°F (-40°C to +65°C)	-40°F to +113°F (-40°C to +45°C)

Certifications & Ratings

- Class I, Div 1, Groups B, C, D
- Class II, Div 1, Groups E, F, G
- UL 844*
- UL 1598/A*
- CSA 22.2 No. 137-M1981*
- CSA 22.2 No. 25-1966*
- ABS Design Assessed: # 12-HS942957-PDA
- IP66
- NEMA 4X

*ETL listed

Mechanical Information:

- Fixture weight:** 14.5 lbs (5.5 kg)
- Shipping weight:** 16.5 lbs (7.5 kg)
- Mounting:** 1) Threaded 3/4" NPT rear
- Cabling:** 10' (3.5m) SOOW Power Cord

Electrical Specifications:

- Operating voltage:** 100 - 277V AC, 50/60 Hz
347 - 480V AC, 50/60 Hz
24 - 48V DC
- Total system power consumption:** See table
- Operating temperature:** -40°F to +149°F (-40°C to +65°C)
- Harmonics:** IEC 61000-3-2
- Noise requirement /EMC:** FCC Title 47, Subpart B, Section 15, class A device. RF Immunity; 10V/m, 80MHz-1GHz
- Transient protection:** 100 - 277V AC 50/60Hz: 1 kV line to line, 2 kV line to ground
347 - 480V AC 50/60Hz: 6 kV line to line, 6 kV line to ground
- THD:** < 20%
- Power factor:** > 0.9

Construction:

- Housing:** Copper free aluminum
- Finish:** Superior dual coat finish
- Sealed polyester topcoat
- Chemical-resistant epoxy primer
- Lens :** Glass

Photometric Information:

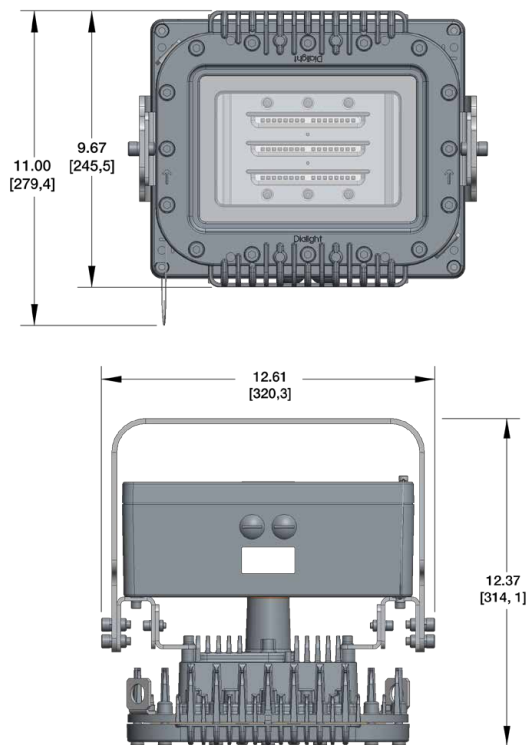
- CRI:** 75
- CCT:** 5000K (cool white)
4000K (neutral white)
- Optics:** 180° forward throw
360° circular pattern

All values typical unless otherwise stated (tolerance +/- 10%)

*For information on chemical compatibility, please follow this link to reference Dialight's Chemical Compatibility Guide: www.dialight.com/pubs/MDTFCHEMFLX001.PDF

SafeSite® LED Area Light - UL 844

Battery Backup Model



Dimensions in inches [mm]

Certifications & Ratings

- Class I, Div. 2 Groups A, B, C, D
- Class III
- UL 844*
- UL 1598/A*
- CSA 22.2 No. 137*
- IP66

*ETL listed

Mechanical Information:

- Fixture weight:** 37 lbs (16.78 kg) - Glass lens
35 lbs (15.88 kg) - Polycarbonate lens
- Shipping weight:** 39 lbs (17.7 kg) - Glass lens
37 lbs (16.8 kg) - Polycarbonate lens
- Mounting:** Adjustable bracket

Electrical Specifications:

- Operating voltage:** 100 - 277V AC, 50/60 Hz
- Total system power consumption:** 86W
- Operating temperature:** -4°F to +149°F (-20°C to +65°C)
- Battery:** 10Ah NiMH
- Expected battery life:** 4 years
- Battery duration:** > 3 hours
- Battery mode output:** 2,000lm
- Noise requirement/EMC:** FCC Title 47, Subpart B, Section 15, class A device. RF Immunity; 10V/m, 80MHz-1GHz
- Surge protection:** 1 kV line to line
2 kV line to ground
- THD:** < 20%
- Power factor:** > 0.9

Construction:

- Housing:** Copper free aluminum
- Finish:** Superior dual coat finish
- Sealed polyester topcoat
- Chemical-resistant epoxy primer
- Body:** Powder coated aluminum
- Lens :** HZD - Polycarbonate (or glass)

Photometric Information:

- CRI:** 75
- CCT:** 5000K (cool white)
4000K (neutral white)
- Optics:** 180° forward throw
360° circular pattern

All values typical unless otherwise stated (tolerance +/- 10%)

*For information on chemical compatibility, please follow this link to reference Dialight's Chemical Compatibility Guide: www.dialight.com/pubs/MDTFCHEMFLX001.PDF

SafeSite® LED Area Light - UL 844

Retrofit Options Overview

HZDXXX models can be ordered with factory installed retrofit adapter by adding K, A, C, G, or M to the end of the part number. For example, STW8C2NC becomes STW8C2NC. Please consult factory when ordering.

C = Eaton's Crouse-Hinds – Champ® **T** = Thomas & Betts Hazlux®
A = Appleton® Mercmaster III **K** = Killark® Certilite® & Certilite® V
M = Appleton® Mercmaster II **G** = GE Lighting Solutions – Filtr-Gard™

Petrolux adapter available as a standalone accessory only



Eaton's Crouse-Hinds – Champ® - HZXTHCH				
Pendant	Ceiling	Wall	Stanchion	Quad Mount
APM2	CM2	TWM2	JM5	QM25
APM3	CM3	TWM3	PM5	
HPM2				

GE Lighting Solutions – Filtr-Gard™ - HZXTHGE				
Pendant	Ceiling	Wall	Stanchion	Quad Mount
3P	3F	3C	3W	5S
4P	4F		4W	6S
				5J, 6J

Holophane® Petrolux II, III - HZXTHP3				
Pendant	Universal	Stanchion	Ceiling	Wall
PD	UN	SA	CD	WL
GH		ST	CE	W
P		A	B, C, D	

Thomas & Betts Hazlux® - HZXHTB				
Pendant	Pendant Cone	Flexible Pendant	Ceiling	Wall
VP2	VA2	VF2	VC2	VB2
VP3	VA3	VF3	VC3	VB3
Wall	25° Angle Stanchion	25° Angle Stanchion	Straight Stanchion	Straight Stanchion
VB2-VIB	VS4	VS4-VIB	VL4	VL4-VIB
VB3-VIB	VS5	VS5-VIB	VL5	VL5-VIB

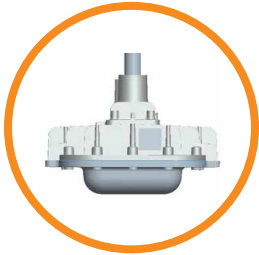
Appleton® Mercmaster III - HZXTHAP			
Pendant	Ceiling	Wall	Stanchion
KPA-75, 100	KPC-75	KPWB-75	KPS-125
KPAF-75, 100	KPC-100	KPWB-100	KPS-150
KPCH-75, 100			KPST-125
			KPST-150

Appleton® Mercmaster II - HZXTHM2			
Pendant	Ceiling	Wall	Stanchion
LPA-75	LPC-75	LPWB-75	LPS-125
LPA-100	LPC-100	LPWB-100	LPS-150

Killark® Certilite® & Certilite® V - HZXTHKL			
Pendant	Ceiling	Wall	Stanchion
VMA2B & VMA-2	VMX2B & VMX-2	VMB2B & VMB-2	VMD4B
VMA3B & VMA-3	VMX3B & VMX-3	VMB3B & VMB-3	VMD5B
VMC2B & VMC-2	VMX6B, 7B, 8B, 9B		VMS5B
VMC3B & VMC-3			
VMF2B, 3B			

SafeSite® LED Area Light - UL 844

Mounting Overview



3/4" NPT Pendant & Conduit Mount

Part Number	Description
HZxxxxx	Glass or polycarbonate lens 180° / 360° / wide distribution



Stanchion & Pole Mounting

Part Number	Description
HZxxxxx	Glass or polycarbonate lens 180° / 360° / wide throw optics
HZXSTANxxxx	1.00" - 2.00' Slip-fit or NPT stanchion mount junction box
HZXW3	Stainless steel mounting brackets 0°, 45°, 90° angles
HZXW7	Aluminum mounting brackets 0°, 45°, 90° angles
HZDxxxxS45 HZFxxxxS45	Area Light with 45° stanchion mount bracket included Glass or polycarbonate lens 180° optics / wide distribution



Ceiling & Wall Mounting

Part Number	Description
HZxxxxx	Glass or polycarbonate lens 180° / 360° / wide distribution
HZXJBxxx	0.75" - 1.05" ceiling / wall / pole mount junction box
HZDxxxxW01 HZFxxxxW01	Area Light with 0° wall mount bracket included Glass or polycarbonate lens 180° distribution
HZDxxxxW45 HZFxxxxW45	Area Light with 45° wall mount bracket included Glass or polycarbonate lens 360° / wide distribution

SafeSite® LED Area Light - UL 844

Mounting Accessories

STWxxxx, HZDxxxx, and HZFxxxx fixtures are now available with a universal mounting adapter factory installed by adding UMA to the end of the part number. Th choose from one of the three available mounting options:



STWxxxxUMA



Wall Mount - HZXW01



45° Wall Mount - HZXW45



45° Stanchion Mount - HZXS45



Suitable for: CID2 • CIID1 • CIID2
 Certified to: UL 50E • CSA C22.2 No. 94.2-07

HZXSTAN100S

- 1.00" (1.315" Pole OD) Slip-fit stanchion mount

HZXSTAN125S

- 1.25" (1.660" Pole OD) Slip-fit stanchion mount

HZXSTAN150S

- 1.50" (1.900" Pole OD) Slip-fit stanchion mount

HZXSTAN200S

- 2.00" (2.375" Pole OD) Slip-fit stanchion mount



HZXSTAN100T

- 1.00" (1.315" Pole OD) NPT threaded stanchion mount

HZXSTAN125T

- 1.25" (1.660" Pole OD) NPT threaded stanchion mount

HZXSTAN150T

- 1.50" (1.900" Pole OD) NPT threaded stanchion mount

HZXSTAN200T

- 2.00" (2.375" Pole OD) NPT threaded stanchion mount



Suitable for: CID2 • CIID1 • CIID2

HZXW3

- Stainless steel bracket

HZXW7

- Aluminum bracket



Suitable for: CID2 • CIID1 • CIID2

HZXW4

- Stainless steel bracket with pipe clamp

HZXW8

- Aluminum bracket with pipe clamp



Suitable for: CID1

Certified to: UL 50E • UL 1203

ISA 12.12.01 • CSA C22.2 No. 94.2-07

HBXC1

- 0.75" NPT Ceiling mount



Suitable for: CID2 • CIID1 • CIID2

HZXSAFEKIT

- Safety cable kit



Suitable for: CID2 • CIID1 • CIID2

HZXSAFETABS

- Safety tabs



Suitable for: CID2

Certified to: UL 50E • CSA C22.2 No. 94.2-07

HZXJB075

- 0.75" Ceiling / Wall / Pole mount junction box

HZXJB100

- 1.00" Ceiling / Wall / Pole mount junction box

HZXJB125

- 1.25" Ceiling / Wall / Pole mount junction box

HZXJB150

- 1.50" Ceiling / Wall / Pole mount junction box



Suitable for: CID2

Certified to: UL 50E • CSA C22.2 No. 94.2-07

HZXJB075PC1

- 0.75" Junction box with photocell

HZXJB100PC1

- 1.00" Junction box with photocell

HZXJB125PC1

- 1.25" Junction box with photocell

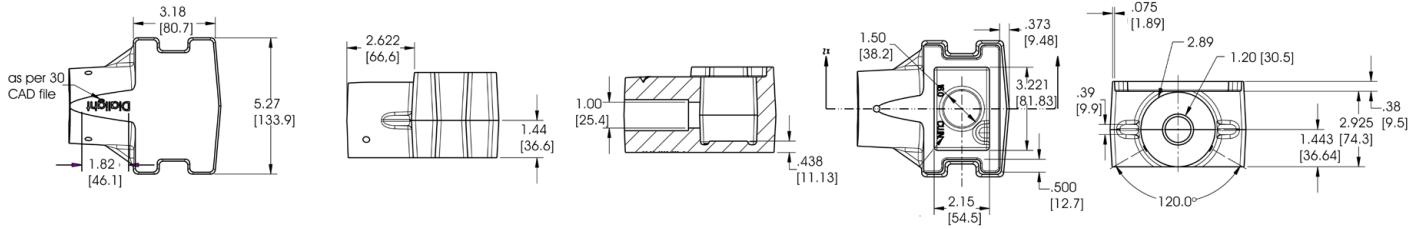
HZXJB150PC1

- 1.50" Junction box with photocell

SafeSite® LED Area Light - UL 844

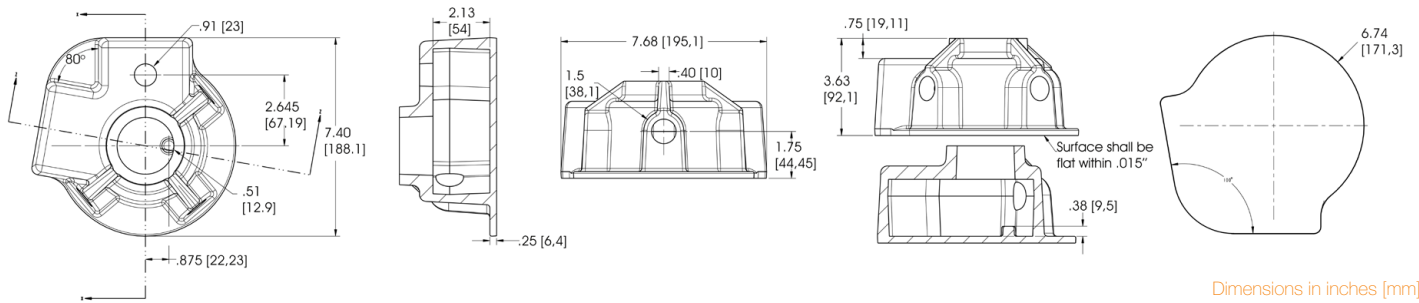
Mounting Bracket Dimensions

HZXSTANXXXX



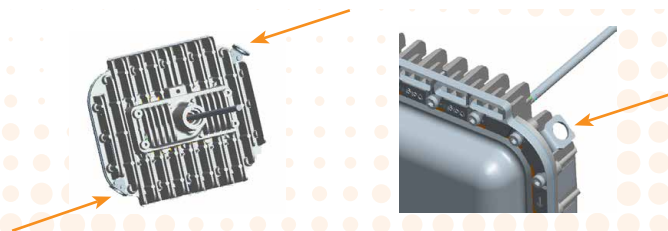
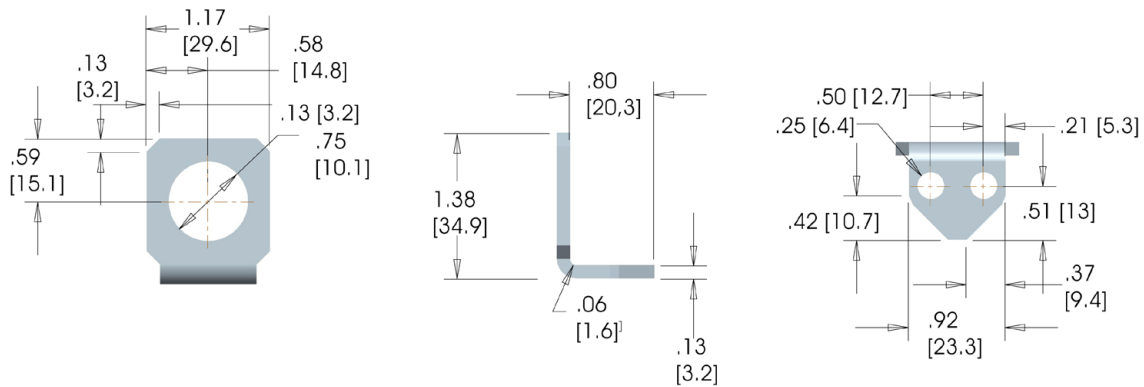
Dimensions in inches [mm]

HZXJBXXX and HZXJBXXXXXX



Dimensions in inches [mm]

HZXSAFEKIT and HZXSAFETABS

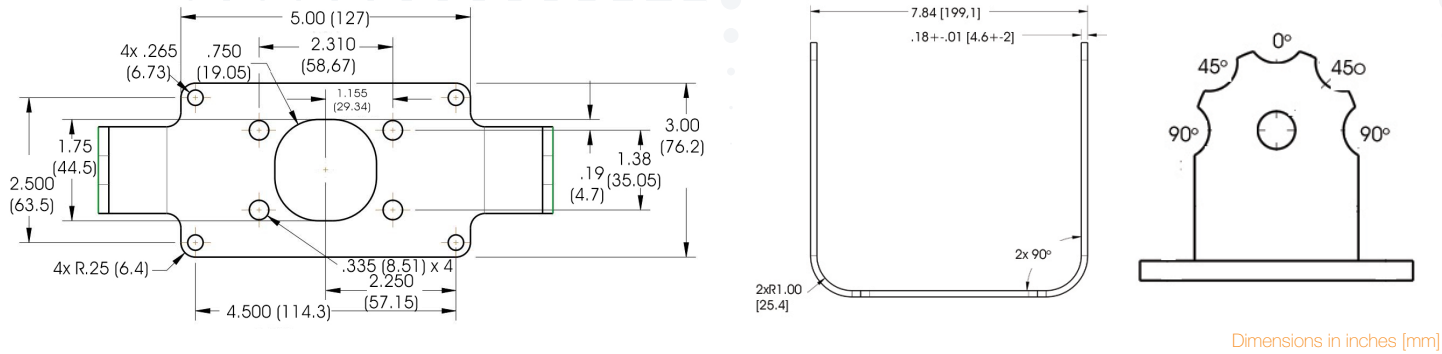


Dimensions in inches [mm]

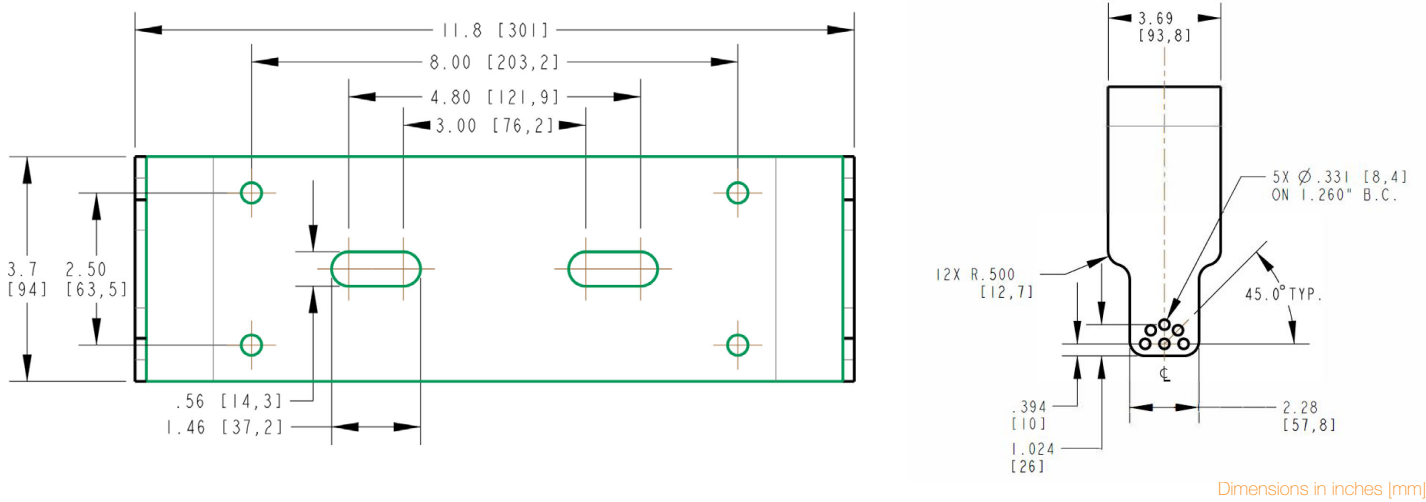
SafeSite® LED Area Light - UL 844

Mounting Bracket Dimensions

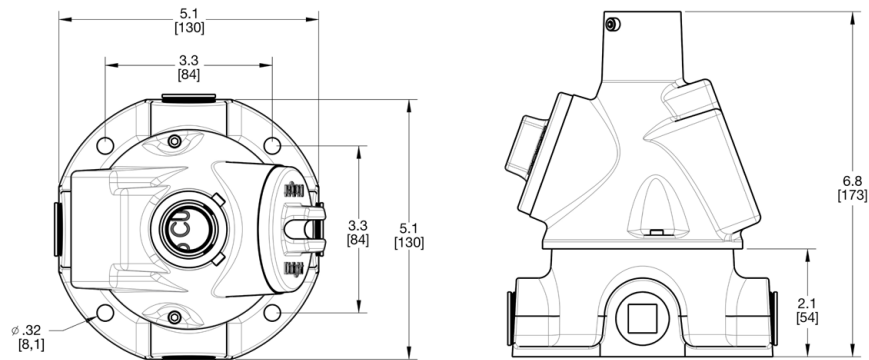
HZXW3, HZXW4, HZXW7, AND HZXW8
 .25" thick; HZXW4 and HZXW8 will mount to 1.5" conduit and comes with pipe mount clamps.



Battery Backup model bracket



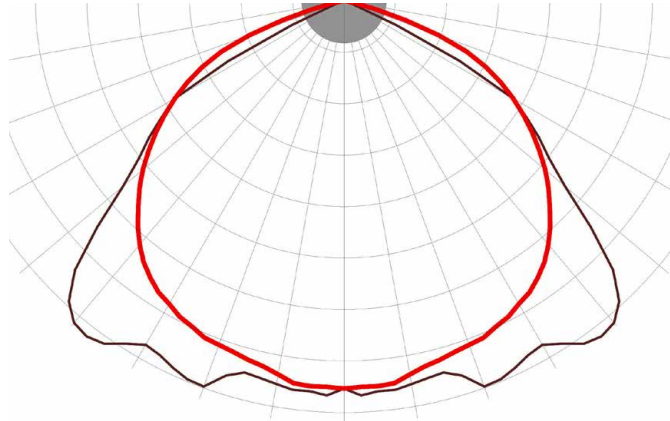
HBXC1 / HBXW1



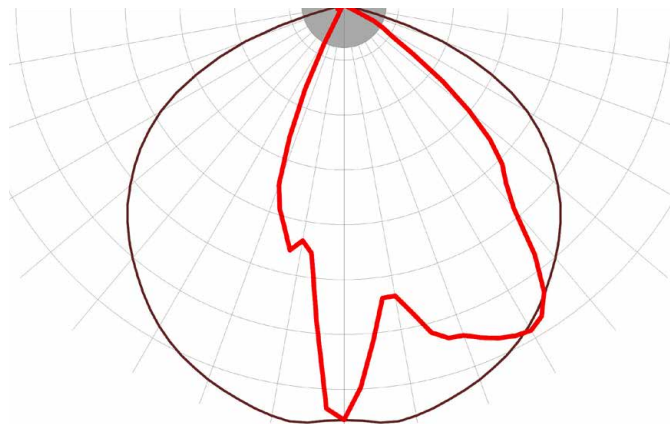
SafeSite® LED Area Light - UL 844

Optical Patterns

360° Optical Pattern

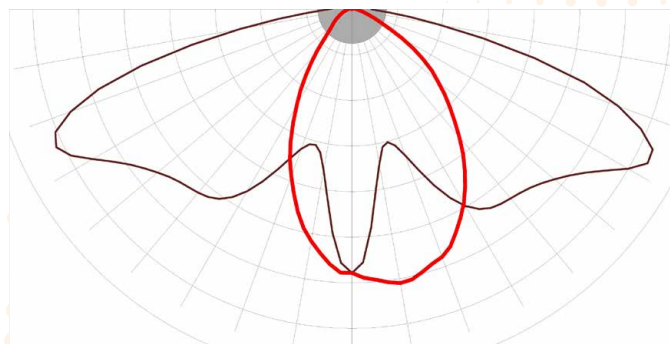


180° Optical Pattern



180° optical pattern models are optimized for a 45° mounting angle

Wide Throw Optical Pattern



SafeSite® LED Area Light - UL 844

Class I, Div. 2 - Ordering Information

Classifications: CID2 A, B, C, D

Part Number	Mounting	CID1	CID2	CID1	CIID2	CIID1	Group B (Hydrogen)	Voltage	Lens	CCT	Fixture Lumens	Watt	LPW	Optical Pattern
Class I, Div. 2 - 3/4" NPT Models - 100-277V AC														
HZDFC2G	3/4" NPT		•					100 - 277V AC	Tempered glass	5000K (cool white)	7,250	69	105	360
HZDEC2G	3/4" NPT		•					100 - 277V AC	Tempered glass	5000K (cool white)	7,000	69	101	180
HZD9C2G	3/4" NPT		•					100 - 277V AC	Tempered glass	5000K (cool white)	6,000	57	105	360
HZD8C2G	3/4" NPT		•					100 - 277V AC	Tempered glass	5000K (cool white)	6,000	57	105	180
HZD5C2G	3/4" NPT		•					100 - 277V AC	Tempered glass	5000K (cool white)	5,250	47	112	360
HZD4C2G	3/4" NPT		•					100 - 277V AC	Tempered glass	5000K (cool white)	5,000	47	106	180
HZD3C2G	3/4" NPT		•					100 - 277V AC	Tempered glass	5000K (cool white)	4,000	38	105	360
HZD2C2G	3/4" NPT		•					100 - 277V AC	Tempered glass	5000K (cool white)	4,000	38	105	180
HZD1C2G	3/4" NPT		•					100 - 277V AC	Tempered glass	5000K (cool white)	2,250	21	107	360
HZD0C2G	3/4" NPT		•					100 - 277V AC	Tempered glass	5000K (cool white)	2,250	21	107	180
HZDWC2N	3/4" NPT		•					100 - 277V AC	Polycarbonate	5000K (cool white)	4,200	58	72	Wide
Class I, Div. 2 - 3/4" NPT Models - 24 - 48V DC														
HZDFC8G	3/4" NPT		•					24 - 48V DC	Tempered glass	5000K (cool white)	7,250	71	102	360
HZDEC8G	3/4" NPT		•					24 - 48V DC	Tempered glass	5000K (cool white)	7,000	71	99	180
HZD5C8G	3/4" NPT		•					24 - 48V DC	Tempered glass	5000K (cool white)	5,000	49	102	360
HZD4C8G	3/4" NPT		•					24 - 48V DC	Tempered glass	5000K (cool white)	5,000	49	102	180
HZD1C8G	3/4" NPT		•					24 - 48V DC	Tempered glass	5000K (cool white)	5,000	49	102	360
HZD0C8G	3/4" NPT		•					24 - 48V DC	Tempered glass	5000K (cool white)	3,000	27	111	180
Class I, Div. 2 - Wall Mount Models - 100 - 277V AC														
HZDFC2GW01	Wall Mount		•					100 - 277V AC	Tempered glass	5000K (cool white)	7,250	69	105	360
HZD9C2GW01	Wall Mount		•					100 - 277V AC	Tempered glass	5000K (cool white)	6,000	57	105	360
HZD5C2GW01	Wall Mount		•					100 - 277V AC	Tempered glass	5000K (cool white)	5,250	47	112	360
HZD3C2GW01	Wall Mount		•					100 - 277V AC	Tempered glass	5000K (cool white)	4,000	38	105	360
HZD1C2GW01	Wall Mount		•					100 - 277V AC	Tempered glass	5000K (cool white)	2,250	21	107	360
HZDWC2NW01	Wall Mount		•					100 - 277V AC	Polycarbonate	5000K (cool white)	4,200	58	72	Wide
Class I, Div. 2 - 45° Wall Mount Models - 100 - 277V AC														
HZDFC2GW45	45° wall mount		•					100 - 277V AC	Tempered glass	5000K (cool white)	7,250	69	105	360
HZDEC2GW45	45° wall mount		•					100 - 277V AC	Tempered glass	5000K (cool white)	7,000	69	101	180
HZD9C2GW45	45° wall mount		•					100 - 277V AC	Tempered glass	5000K (cool white)	6,000	57	105	360
HZD8C2GW45	45° wall mount		•					100 - 277V AC	Tempered glass	5000K (cool white)	6,000	57	105	180
HZD5C2GW45	45° wall mount		•					100 - 277V AC	Tempered glass	5000K (cool white)	5,250	47	112	360
HZD4C2GW45	45° wall mount		•					100 - 277V AC	Tempered glass	5000K (cool white)	5,000	47	106	180
HZD3C2GW45	45° wall mount		•					100 - 277V AC	Tempered glass	5000K (cool white)	4,000	38	105	360
HZD2C2GW45	45° wall mount		•					100 - 277V AC	Tempered glass	5000K (cool white)	4,000	38	105	180
HZD1C2GW45	45° wall mount		•					100 - 277V AC	Tempered glass	5000K (cool white)	2,250	21	107	360
HZD0C2GW45	45° wall mount		•					100 - 277V AC	Tempered glass	5000K (cool white)	2,250	21	107	180
HZDWC2NW45	45° wall mount		•					100 - 277V AC	Polycarbonate	5000K (cool white)	4,200	58	72	Wide

All values typical unless otherwise stated, Lumen values are typical (tolerance +/- 10%).

180° optical pattern models are optimized for a 45° mounting angle

Part numbers listed in the above table are 5000K (cool white). For 4000K (neutral white) model replace the 5th character with **N** Ex: HZD2C2Nxxx becomes HZD2N2Nxxx.

Part numbers listed in the above table are 100-277V AC. For 347-480V AC model replace the 6th character with **9** Ex: HZDFC2G becomes HZDFC9G.

Part numbers listed in the above table are 100-277V AC. For 24-48V DC model replace the 6th character with **8** Ex: HZDFC2Gxxx becomes HZDFC8Gxxx.

Part numbers listed in the above table come with a glass lens. For polycarbonate lens model replace the 7th character with **N** Ex: HZD8C2Gxxx becomes HZD8N2Nxxx.

Wide optical pattern models are available with polycarbonate lens only.

SafeSite® LED Area Light - UL 844

Class I, Div. 2 - Ordering Information

Classifications: CID2 A, B, C, D

Part Number	Mounting	CID1	CID2	CID1	CIID2	CIII	Group B (Hydrogen)	Voltage	Lens	CCT	Fixture Lumens	Watt	LPW	Optical Pattern
Class I, Div. 2 - 45° Stanchion Mount Models - 100 - 277V AC														
HZDFC2GS45	45° Stanchion		•					100 - 277V AC	Tempered glass	5000K (cool white)	7,250	69	105	360
HZDEC2GS45	45° Stanchion		•					100 - 277V AC	Tempered glass	5000K (cool white)	7,000	69	101	180
HZD9C2GS45	45° Stanchion		•					100 - 277V AC	Tempered glass	5000K (cool white)	6,000	57	105	360
HZD8C2GS45	45° Stanchion		•					100 - 277V AC	Tempered glass	5000K (cool white)	6,000	57	105	180
HZD5C2GS45	45° Stanchion		•					100 - 277V AC	Tempered glass	5000K (cool white)	5,250	47	112	360
HZD4C2GS45	45° Stanchion		•					100 - 277V AC	Tempered glass	5000K (cool white)	5,000	47	106	180
HZD3C2GS45	45° Stanchion		•					100 - 277V AC	Tempered glass	5000K (cool white)	4,000	38	105	360
HZD2C2GS45	45° Stanchion		•					100 - 277V AC	Tempered glass	5000K (cool white)	4,000	38	105	180
HZD1C2GS45	45° Stanchion		•					100 - 277V AC	Tempered glass	5000K (cool white)	2,250	21	107	360
HZD0C2GS45	45° Stanchion		•					100 - 277V AC	Tempered glass	5000K (cool white)	2,250	21	107	180
HZDWC2NS45	45° Stanchion		•					100 - 277V AC	Polycarbonate	5000K (cool white)	4,200	58	72	Wide
Class I, Div. 2 - Battery Backup Models														
HZDFCEG	Bracket		•					100 - 277V AC	Tempered glass	5000K (cool white)	7,500	85	88	360
HZDECEG	Bracket		•					100 - 277V AC	Tempered glass	5000K (cool white)	7,500	85	88	180

All values typical unless otherwise stated, Lumen values are typical (tolerance +/- 10%).

180° optical pattern models are optimized for a 45° mounting angle

Part numbers listed in the above table are 5000K (cool white). For 4000K (neutral white) model replace the 5th character with **N** Ex: HZD2**C**2Nxxx becomes HZD2**N**2Nxxx.

Part numbers listed in the above table are 100-277V AC. For 347-480V AC model replace the 6th character with **9** Ex: HZDFC2**G**xxx becomes HZDFC2**9**Gxxx.

Part numbers listed in the above table are 100-277V AC. For 24-48V DC model replace the 6th character with **8** Ex: HZDFC2**G**xxx becomes HZDFC2**8**Gxxx.

Part numbers listed in the above table come with a glass lens. For polycarbonate lens model replace the 7th character with **N** Ex: HZD8C2**G**xxx becomes HZD8N2**N**xxx.

Wide optical pattern models are available with polycarbonate lens only.

SafeSite® LED Area Light - UL 844

Class I, Div. 2 / Class II / Class III - Ordering Information

Classifications: CID2 A, B, C, D • CIID1 E, F, G • CIID2 F, G • CIII

Part Number	Mounting	CID1	CID2	CIID1	CIID2	CIII	Group B (Hydrogen)	Voltage	Lens	CCT	Fixture Lumens	Watt	LPW	Optical Pattern
Class I, Div. 2 / Class II / Class III - 3/4" NPT Models - 100-277V AC														
HZFFC2N	3/4" NPT		•	•	•	•		100 - 277V AC	Polycarbonate	5000K (cool white)	7,250	69	105	360
HZFEC2N	3/4" NPT		•	•	•	•		100 - 277V AC	Polycarbonate	5000K (cool white)	7,000	69	101	180
HZF9C2N	3/4" NPT		•	•	•	•		100 - 277V AC	Polycarbonate	5000K (cool white)	6,000	57	105	360
HZF8C2N	3/4" NPT		•	•	•	•		100 - 277V AC	Polycarbonate	5000K (cool white)	6,000	57	105	180
HZF5C2N	3/4" NPT		•	•	•	•		100 - 277V AC	Polycarbonate	5000K (cool white)	5,250	47	112	360
HZF4C2N	3/4" NPT		•	•	•	•		100 - 277V AC	Polycarbonate	5000K (cool white)	5,000	47	106	180
HZF3C2N	3/4" NPT		•	•	•	•		100 - 277V AC	Polycarbonate	5000K (cool white)	4,000	38	105	360
HZF2C2N	3/4" NPT		•	•	•	•		100 - 277V AC	Polycarbonate	5000K (cool white)	4,000	38	105	180
HZF1C2N	3/4" NPT		•	•	•	•		100 - 277V AC	Polycarbonate	5000K (cool white)	2,250	21	107	360
HZF0C2N	3/4" NPT		•	•	•	•		100 - 277V AC	Polycarbonate	5000K (cool white)	2,250	21	107	180
HZFWC2N	3/4" NPT		•	•	•	•		100 - 277V AC	Polycarbonate	5000K (cool white)	4,200	58	72	Wide
Class I, Div. 2 / Class II / Class III - Wall Mount Models - 100 - 277V AC														
HZFFC2NW01	Wall Mount		•	•	•	•		100 - 277V AC	Polycarbonate	5000K (cool white)	7,250	69	105	360
HZF9C2NW01	Wall Mount		•	•	•	•		100 - 277V AC	Polycarbonate	5000K (cool white)	6,000	57	105	360
HZF5C2NW01	Wall Mount		•	•	•	•		100 - 277V AC	Polycarbonate	5000K (cool white)	5,250	47	112	360
HZF3C2NW01	Wall Mount		•	•	•	•		100 - 277V AC	Polycarbonate	5000K (cool white)	4,000	38	105	360
HZF1C2NW01	Wall Mount		•	•	•	•		100 - 277V AC	Polycarbonate	5000K (cool white)	2,250	21	107	360
HZFWC2NW01	Wall Mount		•	•	•	•		100 - 277V AC	Polycarbonate	5000K (cool white)	4,200	58	72	Wide
Class I, Div. 2 / Class II / Class III - 45° Wall Mount Models - 100 - 277V AC														
HZFFC2NW45	45° wall mount		•	•	•	•		100 - 277V AC	Polycarbonate	5000K (cool white)	7,250	69	105	360
HZFEC2NW45	45° wall mount		•	•	•	•		100 - 277V AC	Polycarbonate	5000K (cool white)	7,000	69	101	180
HZF9C2NW45	45° wall mount		•	•	•	•		100 - 277V AC	Polycarbonate	5000K (cool white)	6,000	57	105	360
HZF8C2NW45	45° wall mount		•	•	•	•		100 - 277V AC	Polycarbonate	5000K (cool white)	6,000	57	105	180
HZF5C2NW45	45° wall mount		•	•	•	•		100 - 277V AC	Polycarbonate	5000K (cool white)	5,250	47	112	360
HZF4C2NW45	45° wall mount		•	•	•	•		100 - 277V AC	Polycarbonate	5000K (cool white)	5,000	47	106	180
HZF3C2NW45	45° wall mount		•	•	•	•		100 - 277V AC	Polycarbonate	5000K (cool white)	4,000	38	105	360
HZF2C2NW45	45° wall mount		•	•	•	•		100 - 277V AC	Polycarbonate	5000K (cool white)	4,000	38	105	180
HZF1C2NW45	45° wall mount		•	•	•	•		100 - 277V AC	Polycarbonate	5000K (cool white)	2,250	21	107	360
HZF0C2NW45	45° wall mount		•	•	•	•		100 - 277V AC	Polycarbonate	5000K (cool white)	2,250	21	107	180
HZFWC2NW45	45° wall mount		•	•	•	•		100 - 277V AC	Polycarbonate	5000K (cool white)	4,200	58	72	Wide
Class I, Div. 2 / Class II / Class III - 45° Wall Mount Models - 24 - 48V DC														
HZFFC8NW45	45° wall mount		•	•	•	•		24 - 48V DC	Polycarbonate	5000K (cool white)	7,250	71	102	360
HZFEC8NW45	45° wall mount		•	•	•	•		24 - 48V DC	Polycarbonate	5000K (cool white)	7,000	71	99	180

All values typical unless otherwise stated, Lumen values are typical (tolerance +/- 10%).

Part numbers listed in the above table are 5000K (cool white). For 4000K (neutral white) model replace the 5th character with **N** Ex: HZD2**C**2Nxxx becomes HZD2**N**2Nxxx.

Part numbers listed in the above table are 100-277V AC. For 347-480V AC model replace the 6th character with **9** Ex: HZDFC**2**G becomes HZDFC**9**G.

Part numbers listed in the above table are 100-277V AC. For 24-48V DC model replace the 6th character with **8** Ex: HZDFC**2**Gxxx becomes HZDFC**8**Gxxx.

Part numbers listed in the above table come with a glass lens. For polycarbonate lens model replace the 7th character with **N** Ex: HZD8C**2**Gxxx becomes HZD8N**2**Nxxx.

Wide optical pattern models are available with polycarbonate lens only.

SafeSite® LED Area Light - UL 844

Class I, Div. 2 / Class II / Class III - Ordering Information

Classifications: CID2 A, B, C, D • CIID1 E, F, G • CIID2 F, G • CIII

Part Number	Mounting	CID1	CID2	CIID1	CIID2	CIII	Group B (Hydrogen)	Voltage	Lens	CCT	Fixture Lumens	Watt	LPW	Optical Pattern
Class I, Div. 2 / Class II / Class III- 45° Stanchion Mount Models - 100 - 277V AC														
HZFFC2NS45	45° Stanchion		•	•	•	•		100 - 277V AC	Polycarbonate	5000K (cool white)	7,250	69	105	360
HZFEC2NS45	45° Stanchion		•	•	•	•		100 - 277V AC	Polycarbonate	5000K (cool white)	7,000	69	101	180
HZF9C2NS45	45° Stanchion		•	•	•	•		100 - 277V AC	Polycarbonate	5000K (cool white)	6,000	57	105	360
HZF8C2NS45	45° Stanchion		•	•	•	•		100 - 277V AC	Polycarbonate	5000K (cool white)	6,000	57	105	180
HZF5C2NS45	45° Stanchion		•	•	•	•		100 - 277V AC	Polycarbonate	5000K (cool white)	5,250	47	112	360
HZF4C2NS45	45° Stanchion		•	•	•	•		100 - 277V AC	Polycarbonate	5000K (cool white)	5,000	47	106	180
HZF3C2NS45	45° Stanchion		•	•	•	•		100 - 277V AC	Polycarbonate	5000K (cool white)	4,000	38	105	360
HZF2C2NS45	45° Stanchion		•	•	•	•		100 - 277V AC	Polycarbonate	5000K (cool white)	4,000	38	105	180
HZF1C2NS45	45° Stanchion		•	•	•	•		100 - 277V AC	Polycarbonate	5000K (cool white)	2,250	21	107	360
HZFOC2NS45	45° Stanchion		•	•	•	•		100 - 277V AC	Polycarbonate	5000K (cool white)	2,250	21	107	180
HZFWC2NS45	45° Stanchion		•	•	•	•		100 - 277V AC	Polycarbonate	5000K (cool white)	4,200	58	72	Wide

Class I, Div. 1 - Ordering Information

Classifications: CID1 B, C, D • CID2 A, B, C, D • CIID1 E, F, G • CIID2 F, G • CIII

Class I, Div. 1 - 3/4" NPT Models - 100 - 277V AC														
HZCFC2N	3/4" NPT	•		•				100 - 277V AC	Tempered glass	5000K (cool white)	7,250	69	105	360
HZCEC2N	3/4" NPT	•		•				100 - 277V AC	Tempered glass	5000K (cool white)	6,750	69	98	180
HZC9C2N	3/4" NPT	•		•				100 - 277V AC	Tempered glass	5000K (cool white)	6,000	57	105	360
HZC8C2N	3/4" NPT	•		•				100 - 277V AC	Tempered glass	5000K (cool white)	6,000	57	105	180
HZC5C2N	3/4" NPT	•		•				100 - 277V AC	Tempered glass	5000K (cool white)	5,200	47	111	360
HZC4C2N	3/4" NPT	•		•				100 - 277V AC	Tempered glass	5000K (cool white)	4,700	47	100	180
HZC3C2N	3/4" NPT	•		•				100 - 277V AC	Tempered glass	5000K (cool white)	4,100	38	108	360
HZC2C2N	3/4" NPT	•		•				100 - 277V AC	Tempered glass	5000K (cool white)	3,700	38	97	180
HZC1C2N	3/4" NPT	•		•				100 - 277V AC	Tempered glass	5000K (cool white)	2,200	21	105	360
HZC0C2N	3/4" NPT	•		•				100 - 277V AC	Tempered glass	5000K (cool white)	2,200	21	105	180
Class I, Div. 1 - 3/4" NPT Models - Hydrogen group B - 100 - 277V AC														
HZPFC2N	3/4" NPT	•		•			•	100 - 277V AC	Tempered glass	5000K (cool white)	7,250	69	105	360
HZPEC2N	3/4" NPT	•		•			•	100 - 277V AC	Tempered glass	5000K (cool white)	6,750	69	98	180
HZP9C2N	3/4" NPT	•		•			•	100 - 277V AC	Tempered glass	5000K (cool white)	6,000	57	105	360
HZP8C2N	3/4" NPT	•		•			•	100 - 277V AC	Tempered glass	5000K (cool white)	6,000	57	105	180
HZP5C2N	3/4" NPT	•		•			•	100 - 277V AC	Tempered glass	5000K (cool white)	5,200	47	111	360
HZP4C2N	3/4" NPT	•		•			•	100 - 277V AC	Tempered glass	5000K (cool white)	4,700	47	100	180
HZP3C2N	3/4" NPT	•		•			•	100 - 277V AC	Tempered glass	5000K (cool white)	4,100	38	108	360
HZP2C2N	3/4" NPT	•		•			•	100 - 277V AC	Tempered glass	5000K (cool white)	3,700	38	97	180
HZP0C2N	3/4" NPT	•		•			•	100 - 277V AC	Tempered glass	5000K (cool white)	2,200	21	105	180

All values typical unless otherwise stated, Lumen values are typical (tolerance +/- 10%).

Part numbers listed in the above table are 5000K (cool white). For 4000K (neutral white) model replace the 5th character with **N** Ex: HZD2**C**2Nxxx becomes HZD2**N**2Nxxx.

Part numbers listed in the above table are 100-277V AC. For 347-480V AC model replace the 6th character with **9** Ex: HZDFC2**G** becomes HZDFC**9**G.

Part numbers listed in the above table are 100-277V AC. For 24-48V DC model replace the 6th character with **8** Ex: HZDFC2**G**xxx becomes HZDFC**8**Gxxx.

Part numbers listed in the above table come with a glass lens. For polycarbonate lens model replace the 7th character with **N** Ex: HZD8C2**G**xxx becomes HZD8**N**2Nxxx.

Class I, Div. 1 models available with glass lens only.

Wide optical pattern models are available with polycarbonate lens only.

