



REDRAGON
RIND
WIRED RGB GAMING MOUSE
WITH HYPER FAST SCROLL WHEEL

Wired RGB Gaming Mouse With Hyper Fast Scroll Wheel Operating Instructions



REDRAGON
RIND
WIRED RGB GAMING MOUSE
WITH HYPER FAST SCROLL WHEEL

Wired RGB Gaming Mouse With Hyper Fast Scroll Wheel Operating Instructions

US UK

Dear user

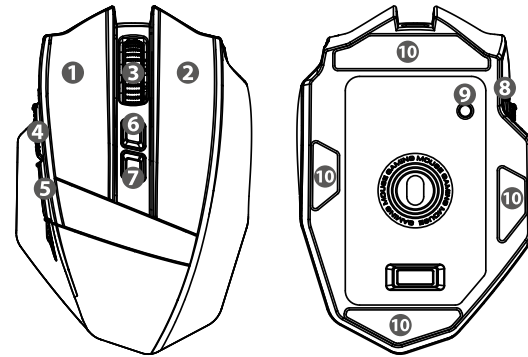
Thank you for choosing our **REDRAGON** product. To protect your rights and for better customer service, we ask that you note our warranty rules.

1. Within guaranty period, repair is guaranteed for failure due to electrical circuit problems. Other damages, such as disassembly, hard impacts, submersion into water, plugging into improper current or voltage, and damage caused by natural disasters such as fire, flood, or earthquake are not included.
2. Consumable parts (such as foot pad) and spare parts replacement are not included in our warranty.

1

Button Instructions

1. Left mouse button.
2. Right mouse button.
3. Scroll wheel (clicked as middle mouse button).
4. Side key, defaulted function: FORWARD key on the keyboard.
5. Side key, defaulted function: BACKWARD key on the keyboard.
6. Hyper scroll button(Default as low speed, click to high speed).
7. DPI button.
8. Fire button(it is not available under BT mode).
9. Mode switch button.
10. Teflon foot pads: Large wear-resistant materials let the mouse move more smoothly.



2

DPI adjustment and indication

DPI indicator light: Behind the Scroll Wheel key, there is a DPI indicator light.
Red ----- Gear 1 (1000 DPI)
Blue ----- Gear 2 (2000 DPI) Defaulted
Green ----- Gear 3 (4000 DPI)
Purple ---- Gear 4 (8000 DPI)
Yellow ---- Gear 5(16000 DPI)

RGB backlight patterns:

Breath/ Neon/Marquee/Normal ON/Wave/Tail/Reaction/Flash/OFF.

FAQ

1. If the mouse is not responding, please check whether the mouse is plugged correctly in the corresponding computers USB port, or try another USB ports.
2. If the mouse is moving slowly, jumping or with delay, please try another surface.
Dark, dirty, un-flat, bright surfaces may affect the performance of mouse. Mouse pad strongly recommended.



3

FCC Statement

Changes or modifications not expressly approved by the party responsible for compliance could void the user's authority to operate the equipment.

This equipment has been tested and found to comply with the limits for a Class B digital device, pursuant to Part 15 of the FCC Rules. These limits are designed to provide reasonable protection against harmful interference in a residential installation. This equipment generates uses and can radiate radio frequency energy and, if not installed and used in accordance with the instructions, may cause harmful interference to radio communications. However, there is no guarantee that interference will not occur in a particular installation. If this equipment does cause harmful interference to radio or television reception, which can be determined by turning the equipment off and on, the user is encouraged to try to correct the interference by one or more of the following measures:

- Reorient or relocate the receiving antenna.
 - Increase the separation between the equipment and receiver.
 - Connect the equipment into an outlet on a circuit different from that to which the receiver is connected.
 - Consult the dealer or an experienced radio/TV technician for help
- This device complies with part 15 of the FCC rules. Operation is subject to the following two conditions (1) this device may not cause harmful interference, and (2) this device must accept any interference received, including interference that may cause undesired operation.

This device contains licence-exempt transmitter(s)/receiver(s) that comply with Innovation, Science and Economic Development Canada's licence-exempt RSSI(s). Operation is subject to the following two conditions: (1) This device may not cause interference. (2) This device must accept any interference, including interference that may cause undesired operation of the device.

5